

# DIAPHRAGM PUMP



## UDOR RO-110 Low Pressure, 3 Diaphragm Pump

- Universal dive face, pulsation dampener, and mounting rails
- 300 max PSI
- 29 max GPM
- 1 1/2 in hose barb in port
- 3/4 in hose barb out port
- Weight 45 pounds

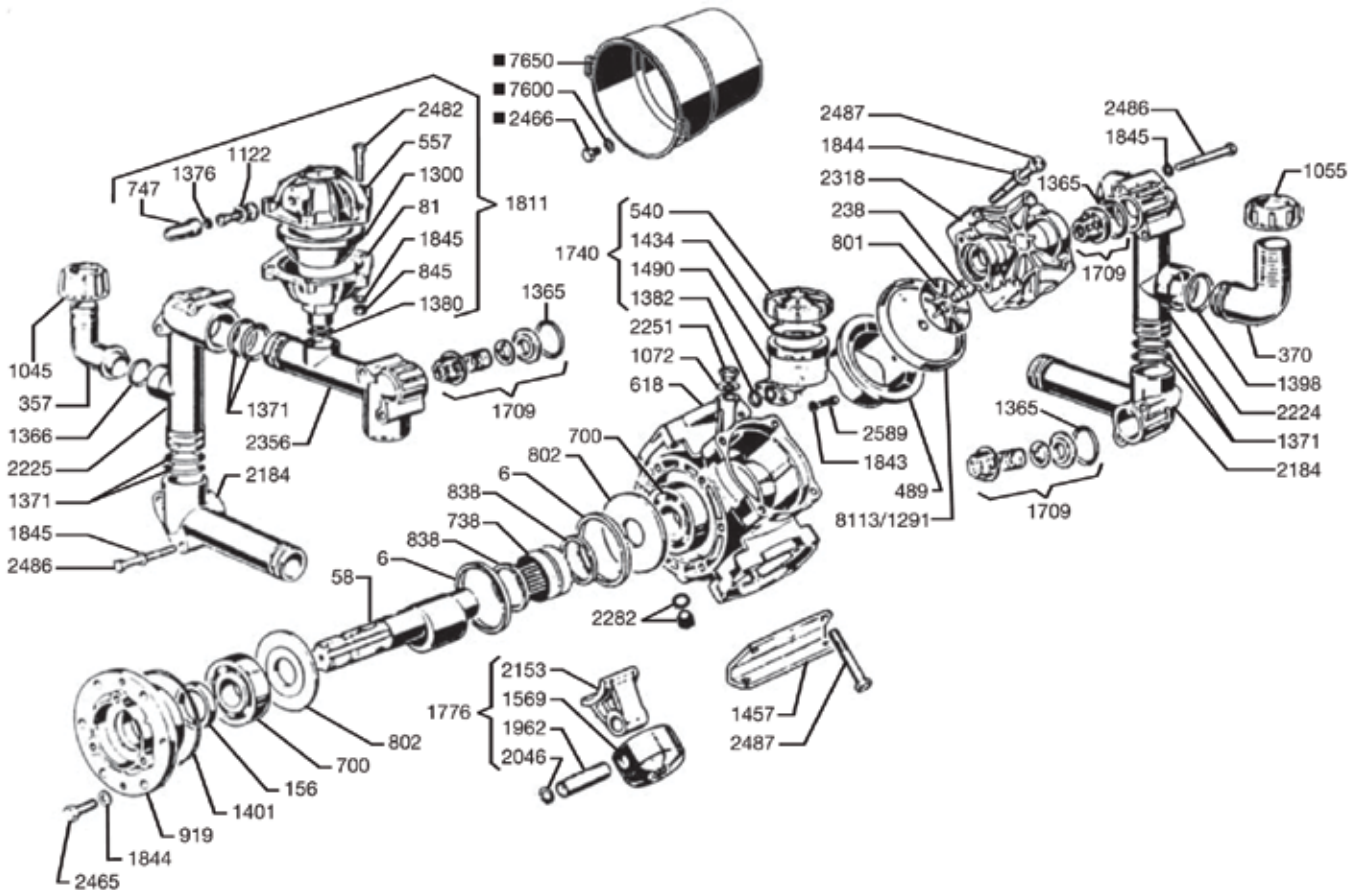


PUMPS

### RO-110 and Pump Accessories

Part No.	Description
RO-110	Low Pressure, 3 Diaphragm Pump
4155.00	Hydraulic Gear Motor Mounting Kit
5033.A4	Gear-Reduction for 8-13 HP
7751.A3	1" Solid Keyed Shaft and Bolts
4453.A6	1 3/8" 6-Spline Male Shaft & Bolts
1219.02	Safety Shield

### Udor RO-110 Series Pump Schematic



## Udor RO-110 Series Pump Schematic

Ref No.	Qty.	Part No.	Description	Ref No.	Qty.	Part No.	Description
2	2	0001.02	Retainer Ring	1398	1	1101.42	O-Ring
11	1	0002.60	Crank Shaft	1401	1	1101.58	O-Ring
81	1	0003.15	Accumulator	1412	1	1101.79	O-Ring
136	1	0006.07	Bearing	1434	1	1101.D1	O-Ring
157	1	0007.05	Seal	1490	1	1203.27	Oil Reservoir
238	3	0102.03	Diaphragm Bolt	1497	3	1203.36	Manifold Elbow
345	1	0202-78	Suction Elbow	1569	3	1205.06	Piston
489	3	0206.14	Piston Sleeve	1607	3	1206.22	Stud
540	1	0208.98	Oil Cap	1709	6	6006.08	Valve Assembly
557	1	0208.20	Accumulator Head	1740	1	6033.01	Oil Reservoir Assembly
626	1	0209.34	Crank Case	1798	3	6015.24	Piston Rod Assembly
647	1	0257.07	Discharge Manifold	1811	1	6031.09	Accumulator Assembly
701	1	0214.05	Bearing	1843	2	1403.07	Washer
747	1	0218.01	Air Valve Cap	1744	9	1403.09	Washer
792	1	0301.12	Washer	1845	18	1403.10	Washer
799	1	0301.24	Washer	1962	3	1502.01	Connecting Rod Pin
801	3	0301.07	Retainer Washer	2046	6	1506.05	Snap Ring
833	2	0302.52	Rod Spacer	2149	3	1519.16	Connecting Rod
845	6	0303.01	Nut	2185	2	1601.13	Suction Manifold
871	3	0304.04	Lock Nut	2226	1	1602.22	Suction Manifold
916	1	0501.62	Crank Shaft Flange	2282	1	1603.50	Drain Plug
927	1	0501.79	FLANGE	2318	3	1604.36	Head
1055	1	0604.50	Barb Nut	2471	12	1804.29	Bolt
1122	1	0608.16	Air Valve Assembly	2481	1	1804.07	Bolt
1199	1	0801.11	Key	2482	6	1804.09	Bolt
1291	3	0903.02	Diaphragm (Buna-N, Optional)	2486	6	1804.79	Bolt
1300	1	0903.14	Accumulator Diaphragm	2581	9	1805.03	Bolt
1365	6	1101.01	O-Ring	2589	2	1805.31	Bolt
1368	1	1101.04	O-Ring	5949	6	1804.72	Bolt
1371	6	1101.07	O-Ring	7124	1	0253.05	Discharge Elbow
1376	1	1101.16	O-Ring	7331	1	0604.36	Discharge Nut
1380	7	1101.25	O-Ring	8113	3	0903.34	Diaphragm (Desmopan, Standard)
1382	1	1101.29	O-Ring	8151	1	1202.63	Mounting Rail, Right Side
1391	1	1101.43	O-Ring	8152	1	1202.64	Mounting Rail, Left Side