

# TABLE OF CONTENTS

Page Description & Color Coded Tabs	Page #	Page Description & Color Coded Tabs	Page #
Spreader - Litter, Shavings, Compost	3	Trailer Parts, Various	49
Spreader - Litter, Shavings, Compost Pull Type	4	Tie Downs for Spreader	50
Spreader - Orchard, Vineyard	5	Telone Spray Parts	51
Spreader - Tandem Axle, Spreadit Series	6	Tanks	52-59, 61
Spreader - NC Series, Fertilizer Only	7-8	Rainwater Harvesting	60
Spreader - Row Crop Pull Type	9-10	Cam Couplers	62
Spreader - Chassis Mount	11-12	Valves, Norwesco	63
Spreader - Custom	13	Strainers	64-65
Sprayer - Liquid Pull Type	14-15	Fittings, Poly	66-70
Sprayer - Nurse Trailer	16	Hose, Tubing	71
Sprayer - 3 Point Hitch	17	Hose Reels, Clamps	72
Sprayer - Grove, Orchard, Vineyard	18	Guidance TeeJet	73-75
Sprayer - Liquid Chassis Mount	19	Controller - TeeJet ARC, TASC	76-78
Sprayer - Skid Sprayer	20	Controller for Sprayers	79
Sprayer - Custom Liquid Units	21	Valves, Controller	80-82
Dry Spreader Rear Parts	22	Fittings, Flange	83-84
Roller Parts, Model 47,49,54,57	23	Guidance Raven	85
Spinner Dishes Models 30,31,41,47,49,54,57	24	Controller - Raven	86-87
Quad Box Assembly	25	Spray Tips - How to Choose	88-93
Spinner Speed Monitor	25	Spray Tips - Quick Caps	94
Spinner Hub	25	Spray Tips - TeeJet	95-103
Spinner Motor, Standard	26	Spray Tips - Hypro	104
Spinner Motor, Short Shaft	27-28	Spray Tips - Boom Buster	105
Sprocket, Model 41,47,49,57	29	Spray Tips - Air Blast	106
Conveyor Parts, 16" & 24"	30	Spray Tip - Orifices	107-112
Conveyor, Belt Over Chain, 24"	31	Nozzle Bodies & Parts	113-118
Conveyor w/ Controller, Model 54	32	Spray Hose Drops	114
Conveyor, Split Chain	33	Spray Guns	119-121
Conveyor, Litter Spreader	34	Pressure Gauges	122
Hydraulic Series Parts	35	Pumps - Roller, Hypro	123-127
Hydraulic Pumps, Hose, Fittings	36	Pumps - Centrifugal, Gear Driven, Hypro	128-129
Oil Tank	37	Pumps - Centrifugal, Pedestal, Hypro	130
Electric Drive Wheel Control, Model 54	37	Pumps - Pressure Washer, Hypro	130
NC Series Rear Parts	38	Pumps - Centrifugal, Hydraulic, Hypro	131-133
NC Series Jack Shaft Parts	38	Pumps - Belt Driven, Hypro	134
NC Series Conveyor Parts	39	Pumps - Diaphragm, Hypro	134
NC Commonly Ordered Parts	39	Pumps - Piston, Hypro	135
NC Series Drive Shaft Parts	40	Pumps - Demand, Shurflo	136
NC Series PTO Parts	40	Pumps - Piston, John Blue	137-143
NC Series Drive Engager	41	Pumps - Flow Rate Monitor, John Blue	144
NC Series Trailer Parts	42	Pumps - Fertilizer Manifold, John Blue	144
Sprayer Boom Parts, Pump Mounting Bar	43	Pumps - Diaphragm, John Blue	145-146
Sprayer Agitation Parts	44	Pumps - Diaphragm, Comet	147-151
Sprayer Suction Fittings	44	Pumps - Diaphragm, Udor	152-156
Trailer - Spreadit Series	45	Pumps - Metering & Self Priming	157
Trailer - Row Crop Spreader, 10 Bolt Hubs	46	Foam Markers	158
Trailer - Nurse Tank, 6 Bolt Hubs	47	Strike Hold	159
Trailer Hub Assy, 8 Bolt	48	Conversion Tables	160-161

### Vertical Storage Tanks

Premium Weight, White Part No.	Heavy Weight, Blue Part No.	Gallon Capacity	Diameter (in)	Overall Height (in)	Fill Opening (in)
45192	-	65	23	43	8
41861	-	100	28	43	8
40281	-	165	31	56	16
41856	-	200	30	72	8
40213	-	300	36	79	16
40302	-	305	46	50	16
40148	40150	500	48	73	16
40023	-	550	67	44	16
40606	-	750	48	103	16
40152	40154	1000	64	80	16
40070	40081	1100	87	53	16
40144	40146	1500	64	116	16
40235	40236	1550	87	67	16
40010	40012	1700	87	74	16
40178	40241	2100	87	89	16
40051	40052	2500	95	91	16
40754	40755	3000	95	109	16
40312	-	4000	102	125	16
40164	40166	5000	102	152	16
45086	-	5500	138	92	16
40226	40233	6000	102	182	16
40659	40661	6100	119	140	16
40224	40232	6500	119	150	16
40663	40665	7800	119	176	16
42060	42062	8400	119	188	16
40545	40353	10000	141	160	16
40539	40541	12000	141	193	16

Vertical storage tanks are most frequently used for bulk storage and mobile nursing applications. Norwesco vertical tanks feature tie-down slots, built-in graduated gallon indicators, an offset fill opening and a self-vented, slosh-proof lid. Many other tank sizes are available. Please inquire.



### Black Vertical Water Tanks

Water Weight, Black Part No.	Gallon Capacity	Diameter (in)	Overall Height (in)	Fill Opening (in)	Bottom Fitting (in)	Top Fitting (in)
40702	305	46	50	16	2	1.5
43101	500	48	73	16	2	1.5
40703	550	67	44	16	2	1.5
40704	1100	87	53	16	2	1.5
40627	1550	87	67	16	2	1.5
40631	2500	95	91	16	2	1.5
40635	3000	95	109	16	2	1.5
40641	5000	102	152	16	2	1.5

Norwesco's water tanks are manufactured using resins that meet FDA specifications to ensure safe storage of potable water. The black or dark green color limits light penetration which reduces the growth of water-borne algae. These tanks are rated at 8 pounds per gallon, which means that they are for **WATER STORAGE ONLY**. They should not be used for chemicals, fertilizers or any other product. Water only tanks are also available in dark green and additional sizes. Please inquire.

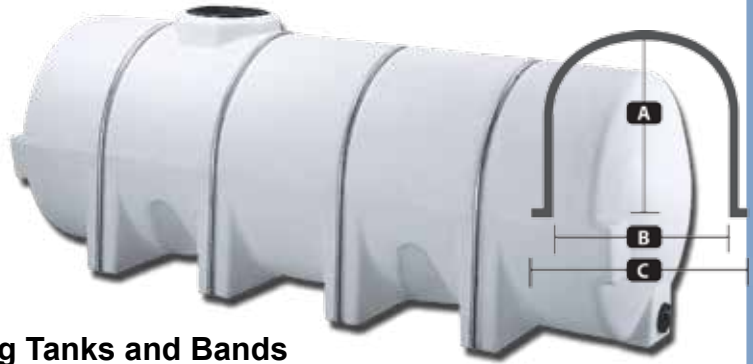


Tank dimensions & capacities may vary slightly and are subject to change without notice.



Not all tanks are manufactured at every Norwesco location so freight may vary.

Used primarily for transport and nursing applications, Norwesco's leg tanks feature molded legs that act as "baffles" to reduce sloshing. With the broadest leg tank line available, Norwesco manufactures a size that will fit your needs. Other tank capacities available. Please inquire.

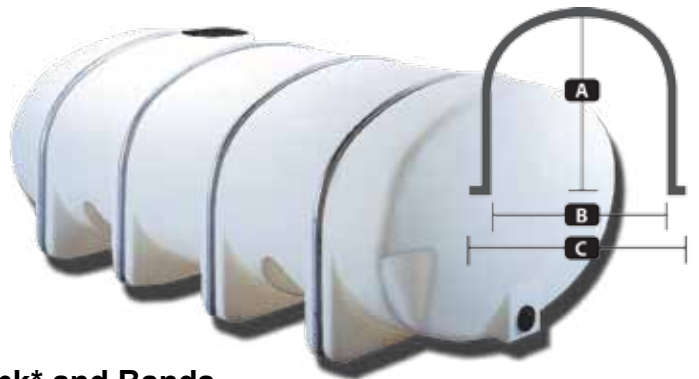


### Horizontal Leg Tanks and Bands

Premium Weight, White Part No.	Heavy Weight, Blue Part No.	Gallon Capacity	Diameter (in)	Overall Height (in)	Tank Length (in)	Fill Opening (in)	Outlet/ Drain (in)	Band Part No.	Band Qty	A (in)	B (in)	C (in)
45223	-	35	20	23	29	5	0.75	60520	2 opt	18.50	18.50	21.375
45191	-	65	23	26	43	5	0.75	61745	2 opt	22.00	22.00	26.5
40298	-	125	32	35	41	8	2	61744	2 opt	30.75	30.50	35
40299	-	225	38	41	49	8	2	60478	2 opt	36.50	36.00	42
42827	-	325	38	38	68	16	2	60478	2 opt	36.50	36.00	42
42016	-	425	49	54	60	16	2	60057	2 opt	47.75	46.25	52.25
40181	40193	525	49	54	71	16	2	60057	2 opt	47.75	46.25	52.25
40180	40194	725**	49	54	101	16	2	60057	3 req	47.75	46.25	52.25
40089	40131	1025**	49	54	139	16	2	60057	4 req	47.75	46.25	52.25

\*\* Require full length support and bands

This elliptical tank style is designed to provide the greatest capacity with the lowest center of gravity, making it the best design available for transporting larger volumes. Norwesco elliptical tanks feature molded-in legs that act as "baffles" to reduce sloshing and provide increased stability during transport. All Norwesco elliptical leg tanks require full length bottom support as well as support bands. Other tank capacities are available.



### Elliptical Leg Tank\* and Bands

Premium Weight, White Part No.	Heavy Weight, Blue Part No.	Gallon Capacity	Width (in)	Overall Height (in)	Length (in)	Fill Opening (in)	Outlet/ Drain (in)	Band Part No.	Band Qty Required	A (in)	B (in)	C (in)
42339	-	335	48	33	71	16	2	63546	2	29	46.5	52.5
4235	-	535	57	39	80	16	2	63547	2	35	55.5	61.5
40191	-	1035	79	54	89	16	2	60325	3	47.25	77	83
42927	42929	1335	66	55	126	16	2	63642	3	53	65	71
40387	40388	1635	71	58	142	16	2	60586	4	51	68	74
40618	40623	2035	84	56	142	16	2	63840	4	51.25	81.50	86.75
40547	40283	2635	90	72	140	16	3 / 2	60353	4	65.25	87.50	94
40686	40688	3135	88	80	150	16	3 / 2	62097	4	75.25	85.50	92
41267	41269	4035	92	75	192	16	3 / 2	62832	4	70.25	89.50	96

\* Ladder Kits for Elliptical Leg Tanks, pg 56

Norwesco manufactures an extensive line of tanks. More capacities than listed may be available, please contact a NCI representative.



When complete drainage is necessary, these sloped tanks are your best choice. They are designed primarily for use on fertilizer and chemical nurse trailers. All Norwesco drainable tanks require full length bottom support as well as support bands. Other tank capacities are available.



### Drainable Leg Tank and Bands

Premium Weight, White Part No.	Heavy Weight, Blue Part No.	Gallon Capacity	Width (in)	Overall Height (in)	Length (in)	Fill Opening (in)	Outlet/ Drain (in)	Band Part No.	Band Qty Required	A (in)	B (in)	C (in)
40655	40657	710	47	57	104	16	2	60584 short	3	46.25	45	51
40393	40395	1010*	47	58	140	16	2	60584 short 60585 long	2 2	46.25 48	45 45	51
40806	40808	1610	69	63	140	16	-	62434	4	49	66	72
41382	41383	2610*	90	79	140	16	-	63044 short 63045 long	2 2	58 62	87.50 87.5	91.88 91.88
40822	40824	3210*	92	75	178	16	-	62347 short 62348 long	2 2	56 60	89.5 89.50	92.75 92.75

\* 1010, 2610, 3210 Gallon tank requires 4 bands total: 2 short & 2 long

Designed for larger volume applicator needs, the Norwesco elliptical tanks feature a low profile design and a low center of gravity for excellent visibility in the field and increased stability when towed. A deep sump permits complete drainage. Other sizes available. Skid purchased separately.

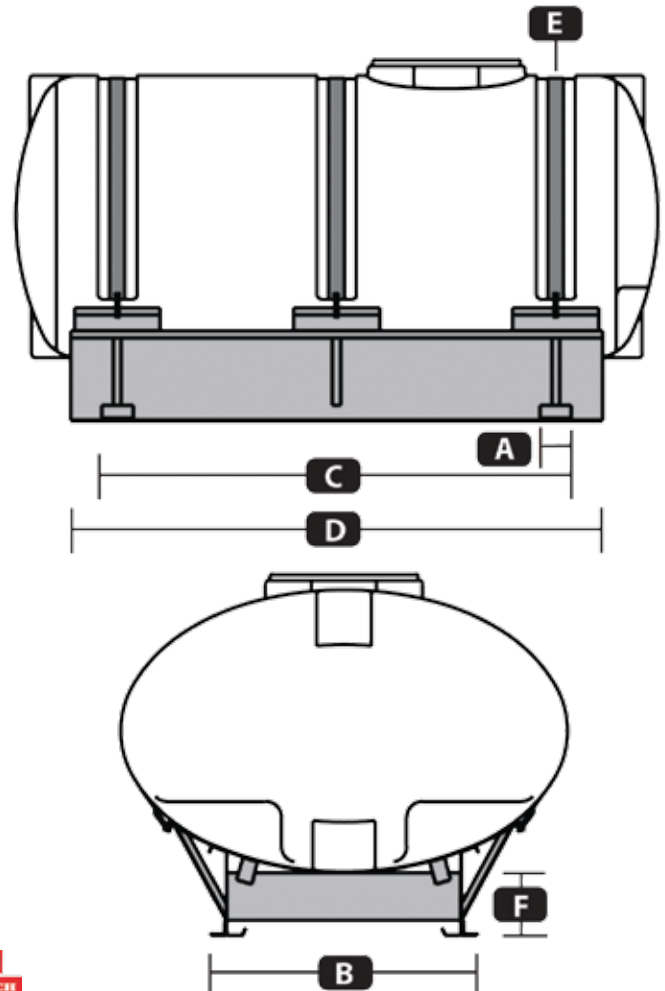
### Elliptical Tank

Premium Weight Part No.	Gallon Capacity	Width (in)	Overall Height w/ Sump (in)	Length (in)	Sump Depth (in)	Fill Opening (in)	Outlet/ Drain
41252	200	40	30	66	0.75	8	1.25 x 1.25
40327	300	48	36	70	3	16	1.25 x 1.25
40328	500	57	44	82	2	16	1.25 x 1.25
40329	750	69	48	88	3	16	2
40330	1000	78	55	90	3	16	2

### Elliptical Tank Skids

Skid Part No.	Tank Capacity	A (in)	B (in)	C (in)	D (in)	E (in)	F (in)
63015	200	4	24	52	57	2x68	8
63016	300	4	34	46.25	54.25	2x76	8
63018	500	4	34	60	68	2x94	8
60371	750	4	38	69.50	78	2x112	8
60372	1000	4	46	60	72	2x130	8

Consist of black skids, appropriate bands, and hardware. Pre-cut hole designed for Norwesco sumps.

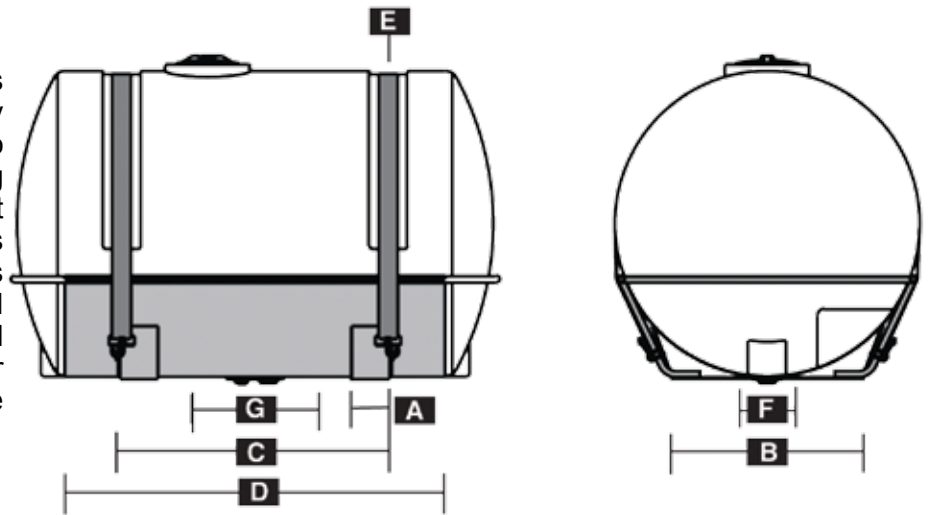


Tank dimensions & capacities may vary slightly and are subject to change without notice.

Not all tanks are manufactured at every Norwesco location so freight may vary.



All Norwesco applicator tanks feature a lid which threads directly into the fill-opening of the tank to prevent the sloshing or leaking of tank contents during transport or application. Norwesco saddles include polyester straps, buckles and bolts to secure tanks, and inductor stands are supplied with all necessary hardware. Many other tank sizes are available. Please inquire.



### Applicator Tank and Saddle Assemblies

Premium Weight Part No.	Gallon Capacity	Tank Diameter (in)	Overall Height (in)	Tank Length (in)	Fill Opening (in)	Outlet/ Drain (in)	Saddle Part No.	A (in)	B (in)	C (in)	D (in)	E (in)	F (in)	G (in)
41799	30	23	26	21	5	0.75	60321	3	19	13.50	13.50	2x54	8	7.75
45193	55	23	27	34	5	0.75	60622	6	18.13	24	24	2x48	-	12
45105	85	23	26	52	5	0.75	60622	6	18.13	24	24	2x48	-	12
60204	100	24	28	57	8	0.75	-							
45053	110	30	34	41	8	1.25 x 1.25	60623	12	23.75	28.75	34.75	2x72	-	10.75
40648	150	30	33	58	8	1.25 x 1.25	60623	12	23.75	28.75	34.75	2x72	-	10.75
45117	150	32	35	46	8	1.25 x 1.25	60623	12	23.75	28.75	34.75	2x72	-	10.75
45059	200	32	35	62	8	1.25 x 1.25	63019	6	24.88	36	60	2x96	8	13.25
45061	200	38	42	47	8	1.25 x 1.25	63020	6	24.75	34	42	2x96	-	13.25
40135	300	38	41	68	8	1.25 x 1.25	63021	6	24.75	34	60	3x96	8	12
40137	400	42	45	74	8	1.25 x 1.25	63022	6	30.13	42.50	60	3x96	8	12
40274	500	48	51	75	8	1.25 x 1.25	63023	6	30.13	42.50	60	3x132	8	12
40777	150 Slim Line	28	41	50	8	1.25 x 1.25	-	-	-	-	-	-	-	-
41305	200 Slim Line	24	48	61	8	1.25 x 1.25	-	-	-	-	-	-	-	-
40780	200 Slim Line	31	46	48	8	1.25 x 1.25	-	-	-	-	-	-	-	-

Designed to fit full-size, American made pickups, the 325 and 425 sizes have low profiles for better rear vision. They feature fill openings offset to the side of the tank for safety and easy access. A tough circular design adds strength. The 210 gallon tank fits both "mini" pickups and full-size models.

### Pickup Truck Tanks

Premium Weight, White Part No.	Gallon Capacity	Top Width/ Diameter (in)	Bottom Width/ Diameter (in)	Overall Height (in)	Fill Opening (in)	Outlet/ Drain (in)
40300	210	60/51	48/39	29	8	2
40160	325	62	49	33	8	2
40102	425	65	49	39	8	2



Norwesco manufactures an extensive line of tanks. More capacities than listed may be available, please contact a NCI representative.



The spot sprayers feature threaded inserts on the bottom of the tank for mounting purposes, on one side for wand or gun placement and on the top for a 12 volt pump.

**Spot Sprayer Tanks**

Premium Weight Part No.	Gallon Capacity	Tank Diameter (in)	Tank Height (in)	Tank Length (in)	Fill Opening (in)
45115	14	14	15	31	5
62080	25	18	18	36	5



The inductor tanks are suitable for mixing chemicals when filling a tank. Stands are designed to provide necessary support for the inductor tanks during use and are supplied with all necessary hardware.

**Inductor Tanks and Stands**

Premium Weight Part No.	Inductor Stand Part No.	Gallon Capacity	Diameter (in)	Tank Height (in)	Fill Opening (in)	Outlet/ Drain (in)
60214	60313	15	19	23	8	2
42064	63397	15	24	21	16	2
42065	63397	30	24	28	16	2
45098	65517	35	23	29	8	2
62205	62204	60	31	32	16	2
42066	63397	60	24	42	16	2
47190	-	80	32	37	16	2



Norwesco mini bulk tanks are most frequently used for chemical dispensing. The tanks can be mounted on forklift accessible pads for ease of movement. A polypropylene fitting is installed on the side wall.

**Mini Bulk Tanks**

Premium Weight Part No.	Gallon Capacity	Diameter (in)	Overall Height (in)	Fill Opening (in)	Fitting (in)
40318	120	38	31	5	1.25
40320	220	42	44	5	1.25



**Tank Repair Kit**

Part No.	Description
60221	Poly Welding Gun & Rod
61879	Poly Welding Rod

**Ladder Kit for Elliptical Tanks**

Part No.	Description
60354	Ladder for 2635, 3135 Gallon
62301	Ladder Adaptor Kit for 3135
63033	Ladder for 4035 Gallon

Norwesco offers a full range of cone bottom tanks designed for a variety of applications. The conical bottoms enable quick and complete drainage. As with all Norwesco tanks, the cone bottom tanks are molded of rugged, high density polyethylene and are both impact and chemical resistant. Please refer below for polyethylene or steel stands. Many other tank sizes are available. Please inquire.

### Cone Bottom Tanks

Premium Weight Part No.	Heavy Weight Part No.	Gallon Capacity	Tank Diameter (in)	Overall Height (in)	Slope	Fill Opening (in)	Outlet/ Drain (in)
60113	-	175 w/ Stand*	43	49	30°	16	2
62343	-	300 w/ Stand*	49	61	30°	16	2
62441	-	310 w/ Stand*	43	72	30°	8	2
40289	-	500 w/ Stand*	49	87	30°	16	2
40811	-	750	72	56	20°	16	2
40809	-	750 w/ Stand*	73	67	20°	16	2
40356	-	1050	72	75	20°	16	2
40659	-	1050 w/ Stand*	73	86	20°	16	2
40817	40819	1600	88	84	30°	16	2
40813	40815	1600 w/ Stand*	89	96	30°	16	2
40066	40129	2500	95	105	30°	16	2
40672	40674	2500 w/ Stand*	96	116	30°	16	2
40170	40172	3000	95	123	30°	16	2
40797	40799	3000 w/ Stand*	96	134	30°	16	2
45141	-	3000 **	91	120	15°	16	2
40549	40316	5500	119	148	30°	16	3
40931	40933	6000	102	195	15°	16	3
40551	40409	7500	141	149	30°	16	3

\* Polyethylene Stand

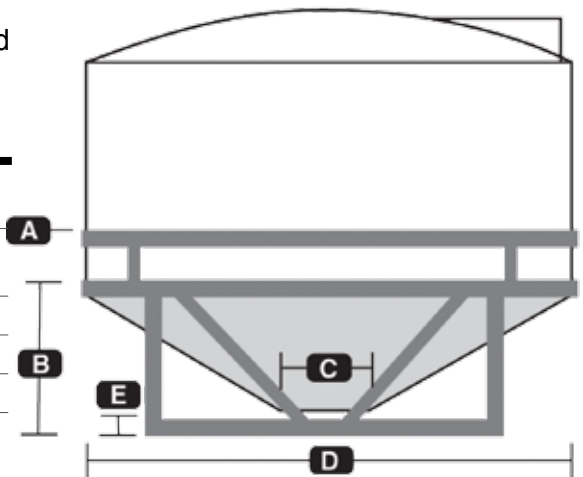
\*\* A stand is not available for this tank



Norwesco heavy duty cone bottom stands are manufactured from structural steel and offer a full dish for uniform support.

### Heavy Duty Steel Cone Bottom Stands

Stand Part No.	Tank Capacity	B (in)	C (in)	D (in)	E (in)
60059	2500 or 3000 30°	36	11	96	11
60358	5500	45	11	119	12.50
62473	6000	25	13	102	12.13
61860	7500	49	11	140	10.75
60359	2500 or 3000 30°	Optional Top Band Assy			



A multi-purpose tank, the PCO is well suited for nursery, agricultural and lawn care applications. These tanks feature self-supporting legs and do not require any saddles or steel supports. Flat spots are molded into both ends to provide mounting areas for agitation equipment.

### PCO Tank

Premium Weight White Part No.	Gallon Capacity	Width (in)	Overall Height (in)	Length (in)	Fill Opening (in)
41254	30	19	23	25	5
40664	50	19	22	38	8
40668	100	30	28	38	8
40669	150	36	28	48	8
41413	200	36	37	48	8
41381	300	36	37	69	16

### Ribbed PCO Tanks

42834	50	19	23	38	8
42835	100	30	30	38	8
42836	150	37	29	48	16
42837	200	37	37	48	16



Like the PCO tank, the Flat Bottom Utility tank can be used for many applications. It is the perfect choice when looking for a tank to put in the bed of a pickup truck. The tank may be used with or without bands.

### Flat Bottom Utility Tank

Premium Weight White Part No.	Band Part No.	Gallon Capacity	Width (in)	Overall Height (in)	Length (in)	Fill Opening (in)	Outlet/Drain (in)	No. of Bands Optional	A (in)	B (in)	C (in)
42341	63351	50	19	23	38	8	1	2	19	18.5	23
42343	63552	100	27	29	43	8	1	2	24	25	29.5
42349	-	110 low profile	35	18	48	5	1	2	-	-	-
42345	63552	150	36	29	48	8	1	2	24	34.5	39
42347	63553	200	36	38	48	8	1	2	33	34.5	39



When needing tanks that provide complete drainage, these tanks are the perfect choice. The fitting is installed in the bottom of the tank.

### Total Drain Tanks

Premium Weight White Part No.	Gallon Capacity	Width (in)	Overall Height (in)	Length (in)	Fill Opening (in)	Outlet/Drain (in)
42321	5 square	11	18	11	8	1.25
42351	10 square	13	21	13	8	1.25
60521	12	14	15	18	5	0.75





These free standing tanks have been specifically designed with residential and commercial applications in mind. Its dimensions allow it to fit through a conventional doorway. The design of the freestanding/self-supporting tanks eliminate the need for a steel support frame.

### Free Standing Water Only Tank

Part No.	Gallon Capacity	Width (in)	Height (in)	Length (in)	Fill Opening (in)	Outlet/Drain Spec
42337	250	29	40	62	16	1.25
41869	300	29	48	62	16	1.25
41247	400	29	65	62	16	1.25
43616	500	31	70	74	16	1.25



The low profile design of this tank makes it ideal for use on trailers or in the back of a truck. The slosh reduction ribs provide excellent structural support. They are an excellent choice when height limitations are a factor and are the perfect height for putting under your house, cottage, or cabin. Many other tank sizes are available. Please inquire.

### Low Profile Water Tank

Part No.	Gallon Capacity	Width (in)	Height (in)	Length (in)	Fill Opening (in)	Outlet/Drain (in)
40756	1250	81	38	130	16	2
43011	1275	84	36	126	16	2
41392	1500	81	44	130	16	2
43013	1600	84	42	126	16	2



Norwesco's below-ground water cisterns feature the same rugged, ribbed design found in their septic tanks. Their cisterns are ideal for instances when drinking water must be hauled in or if a well just doesn't meet consumption needs. As with all of Norwesco's water storage tanks, their cisterns are produced with 100% virgin resin which meets FDA specifications for potable water. Where applicable, Norwesco's cisterns have been certified under ANSI/NSF Standard 61. Please inquire.

### Below Ground Water Cistern Tanks

Part No.	Gallon Capacity	Length (in)	Width (in)	Height (in)	Manhole Diameter (in)
41321	325 Sphere	-	54	51	20
40856	550 Sphere	-	64	64	20
41328	600	101	51	42	20
41329	1200	102	60	63	two 20
41893	1400	116	55	70	two 20
4130	1700	135	55	70	two 20



**NCI Rainwater Harvesting Kits**

A 1000 square foot roof receiving one inch of rain twice a month can collect 1,248 gallons of water. That is 14,976 gallons of water per year. Harvested Rainwater can be used for landscaping, livestock, gardening, and other approved uses.



**305 Gallon Rainwater Tank Kit**

- 305 gallon Norwesco Black Tank (height 50 in)
- Vented lid and strainer basket
- Bulkhead fitting installed in dome for overflow
- Ball valve assembly to use with garden hose.

**500 Gallon Rainwater Tank Kit**

- 500 gallon Norwesco Black (height 73 in)
- Vented lid and strainer basket
- Bulkhead fitting installed in dome for overflow
- Ball valve assembly to use with garden hose.

**Options:**

- Various tank sizes available
- Pump assembly with 12V or 115V to ensure constant water pressure. Assembly has quick connect couplings for easy use with multiple tanks.
- Overflow fittings
- Filtering system
- Premium weight Norwesco Tank

Flexible Gutter not included in kit

**Figure out how much water you could collect:**

$$\begin{matrix} \text{Length} \\ \text{of} \\ \text{Roof} \end{matrix} \times \begin{matrix} \text{Width} \\ \text{of} \\ \text{Roof} \end{matrix} = \begin{matrix} \text{Your} \\ \text{Roof} \\ \text{size in} \\ \text{sq ft} \end{matrix} \times \begin{matrix} 0.624 \text{ gal/} \\ \text{sq ft per} \\ \text{inch of rain} \end{matrix} = \begin{matrix} \text{Total} \\ \text{Gallons} \\ \text{Collected} \end{matrix}$$



Standard Ball Valve with Hose Fitting



Strainer Basket



12 V Pump



115 V Pump



Tank dimensions & capacities may vary slightly and are subject to change without notice.

Not all tanks are manufactured at every Norwesco location so freight may vary.



# STEEL TANKS

## Model 8660

The Model 8660 is a round, straight barrel tank ranging in capacities from 1600 up to 4500 gallons. This model is standard with 12 gauge 304 stainless steel shell, full-length 10 gauge 304 S/S sills, flanged & dished heads and baffles, 16" S/S manhole, 2" vent fitting, 8" x 8" S/S box sump, 1½" sight gauge and heavy-duty S/S ladder.



## Model 8670

The Model 8670 is a round, double conical tank, designed for complete drainage. Standard sizes include 1200, 1600, 2000, 2400, 2950, 3200 and 3600 gallons. This model is standard with 12 gauge 304 stainless steel shell, full-length 10 gauge 304 S/S sills, flanged & dished heads and baffles, 16" S/S manhole, 2" vent fitting, 6" x 30" S/S trough sump, 1½" sight gauge and heavy-duty S/S ladder.



## Model 8775

The Model 8775 is an elliptical, double conical tank, for low profile and designed for complete drainage. Standard sizes include 1600, 2000, 2400, 2800, 3200 and 3600 gallons. This model is standard with 12 gauge 304 stainless steel shell with a 10 gauge S/S bottom, full-length 10 gauge 304 S/S sills, flanged & dished heads and baffles, 16" S/S manhole, 2" vent fitting, 6" x 30" S/S trough sump, 1½" sight gauge and heavy-duty S/S ladder.



## Model 8690

The Model 8690 is a bulk storage tank available in capacities up to 30,000 gallons. This model is standard with 304 stainless steel shell, 304 S/S flanged and dished top & bottom heads up to 96" diameter (Larger diameter tanks will have a cone bottom), S/S angle legs and S/S feet or skirt, 2" top and bottom fitting and a 16" S/S inspection manhole.










**Other tank sizes available, please inquire.**



# NORWESCO CAM LEVER COUPLERS

## Cam Lever Couplers

	Part No.	Size (in)
 <b>A</b>   <b>A 90°</b>	A Couplers	
	QC-050A	1/2
	QC-075A	3/4
	QC-100	1
	QC-125A	1 1/4
	QC-150A	1 1/2
	QC-150LA	1 1/2" 90°
	QC-200A	2
	QC-200LA	2" 90°
	QC-300A	3
QC-400A	4	
 <b>B</b>	B Couplers	
	QC-050B	1/2
	QC-075B	3/4
	QC-100B	1
	QC-125B	1 1/4
	QC-150B	1 1/2
	QC-200B	2
	QC-300B	3
	QC-400B	4
	 <b>C</b>   <b>C 90°</b>	C Couplers
QC-050C		1/2
QC-075C		3/4
QC-100C		1
QC-125C		1 1/4
QC-150C		1 1/2
QC-150LC		1 1/2" 90°
QC-200C		2
QC-200LC		2" 90°
QC-300C		3
QC-400C	4	
 <b>D</b>   <b>D 90°</b>	D Couplers	
	QC-050D	1/2
	QC-075D	3/4
	QC-100D	1
	QC-125D	1 1/4
	QC-150D	1 1/2
	QC-150LC	1 1/2" 90°
	QC-200D	2
	QC-200LD	2" 90°
	QC-300D	3
QC-400D	4	

## Cam Lever Couplers

	Part No.	Size (in)
 <b>E</b>	E Couplers	
	QC-050E	1/2
	QC-075E	3/4
	QC-100E	1
	QC-125E	1 1/4
	QC-150E	1 1/2
	QC-200E	2
	QC-300E	3
QC-400E	4	
 <b>F</b>   <b>F 90°</b>	F Couplers	
	QC-050F	1/2
	QC-075F	3/4
	QC-100F	1
	QC-125F	1 1/4
	QC-150F	1 1/2
	QC-150LF	1 1/2" 90°
	QC-200F	2
	QC-200LF	2" 90°
	QC-300F	3
QC-400F	4	
 <b>G</b>	G Coupler Caps for Male Adaptor	
	QC-050G	1/2
	QC-075G	3/4
	QC-100G	1
	QC-125G	1 1/4
	QC-150G	1 1/2
	QC-200G	2
	QC-300G	3
QC-400G	4	
 <b>H</b>	H Coupler Plug for Female Adapter	
	QC-025H	1/2
	QC-075H	3/4
	QC-100H	1
	QC-125H	1 1/4
	QC-150H	1 1/2
	QC-200H	2
	QC-300H	3
QC-400H	4	

NCI Part Numbers may differ from Norwesco's



### Bolt Valves

#### 4-Bolt Valve

Blue Handle Part No.	Description	Pipe Size (in)
60540	Full Port	1/2
60541	Full Port	3/4
60542	Standard Port	1
60543	Full Port	1
61734	Standard Port	1 1/4
60527	Full Port	1 1/4
60526	Full Port	1 1/2
60529	Standard Port	2



#### 6 Bolt Valves

Part No.	Description	Pipe Size (in)
60528	Full Port	2
61720	Full Port	3
62787	Full Port	4



#### Nozzle Valves

Blue Handle Part No.	Yellow Handle Part No.	Description
60544	61125	1 1/2" Full Port Nozzle
	61126	2" Standard Port Nozzle
60546	61127	2" Full Port Nozzle
60479	-	1" 45° Nozzle Valve



#### Compact Valves

Blue Handle Part No.	Yellow Handle Part No.	Description
62286	62308	2" Full Port M x F
62287	62309	2" Full Port F x F
62288	62310	2" Full Port M x M Coupler
62314	62313	2" Full Port F x M Coupler
62046	-	2" Standard Port M x F
61876	-	2" Full Port M x F
62047	-	3" Full Port M x F



### Union Ball Valves

Blue Handle Part No.	Pipe Size (in)
604609	1/2
60410	3/4
60411	1
60412	1 1/4
60413	1 1/2
60414	2
60415	3



### Multi-Port Ball Valves

Blue Handle Part No.	Description
60417	3/4" True Union
60418	2" Multi-port



# STRAINERS

## Y Line Strainer



Banjo Part No.	Norwesco Part No.	Pipe Size (in)	Mesh
LS05040	-	1/2 x 1/2	40
LS07540	61476	3/4 x 3/4	40
LS10040	-	1 x 1	40
LS12540	-	1-1/4 x 1-1/4	40
LS15020	61488	1-1/2 x 1-1/2	20
-	61489	1-1/2 x 1-1/2	40
LS15050	-	1-1/2 x 1-1/2	50
LS15080	61490	1-1/2 x 1-1/2	80
-	61494	2 x 2	40
LS20080	91495	2 x 2	80
LS30004	-	3 x 3	6
-	62340	3 x 3	40

## Manifold T Strainer, Banjo



1" Part No.	2" Part No.	Screen
MLST10016	MLST15016	16
MLST10030	MLST15030	30
MLST10050	MLST15050	50
MLST10080	MLST15080	80
MLST100100	MLST150100	100

## Manifold Y Strainer, Banjo

Part No.	Screen
MLS20020	20
MLS20030	30
MLS20050	50
MLS20080	80
MLS300120	120

## T Line Strainers, Hypro



Nylon							
Part No.	Threads	Cap	Bowl	Screen	Mesh	Gasket	
33500079F	1/4" ID (F)	33510022	33510020	38000046	50 SS	17000065 Viton	
33500034	3/4"	33510006	33510005	38000025	50 SS	17000044 Buna-N	
33500058	1"	33510014	33510013	38000041	50 SS	17000057 Buna-N	
33500072	1-1/4"	33510016	33510013	38000044	50 SS	17000051 Buna-N	
Polypropylene							
Part No.	Threads	Cap	Bowl	Screen	Mesh	Gasket	
33500034A	3/4"	33510038	C33510039	38000025	50 SS	17000091 EPDM	

## T Line Strainer



Compact Strainer, TeeJet

Nowesco Poly Part No.	TeeJet Nylon Part No.	TeeJet Poly Part No.	TeeJet Poly Comact Part No.	Pipe Size (in)	Mesh
-	-	-	AA12212PP16	1/2 x 1/2	16
-	-	-	AA12212PP30	1/2 x 1/2	30
-	-	-	AA12234PP16	3/4 x 3/4	16
61465	-	-	-	3/4 X 3/4	40
-	AA12A34NYB50	AA124A34PP50	AA12234PP50	3/4 X 3/4	50
61470	-	-	-	1 x 1	40
-	AA124A1NYB50	AA124A1PP50	-	1 x 1	50
-	AA124114NYB50	-	-	1-1/4 x 1-1/4	50
-	AA124112NYB50	-	-	1-1/2 x 1-1/2	50



# TEEJET LINE STRAINERS

Strainer Part No.	Pipe NPT F (in)	Material		Screen Part No.	Mesh
		Head	Bowl		
AA122 Line Strainers					
AA12212PP AA122ML12PP 3727012212PP	1/2	Poly	Poly	CP231741304SS CP231742304SS	16 30
AA12234PP AA122ML34PP 3727012234PP	3/4	Poly	Poly	CP451023SSPP* CP451024SSPP* CP451025SSPP*	50 80 100
AA124A Line Strainers					
AA124A34I	3/4	Cast Iron	Nylon	CP169031SSPP* CP169033SSPP*	16 30
AA124A34AL		Aluminum	Nylon		
AA124A1I	1	Cast Iron	Nylon	CP169034SSPP* CP169035SSPP*	50 80
AA124A1AL		Aluminum	Nylon		
AA124114I	1 1/4	Cast Iron	Nylon	CP159411SSPP* CP159412SSPP*	16 30
AA124114AL		Aluminum	Nylon		
AA124112I	1 1/2	Cast Iron	Nylon	CP159413SSPP* CP159414SSPP*	50 80
AA124112AL		Aluminum	Nylon		
AA1242I	2	Cast Iron	Nylon	CP146341SS CP146342SS	16 30
AA1242AL		Aluminum	Nylon		
AA124212I	2 1/2	Cast Iron	Nylon	CP146343SS CP146344SS	50 80
AA124212AL		Aluminum	Nylon		
AA124ML Line Strainers with Mounting Lugs					
AA124ML34AL	3/4	Aluminum	Nylon	CP169031SSPP* CP169033SSPP* CP169034SSPP* CP169035SSPP*	16 30 50 80
AA124ML1AL	1				
AA124ML114AL	1 1/4	Aluminum	Nylon	CP159411SSPP* CP159412SSPP* CP159413SSPP* CP159414SSPP*	16 30 50 80
AA124ML112AL	1 1/2				
AA124ML2AL	2	Aluminum	Nylon	CP146341SS CP146342SS CP146343SS CP146344SS	16 30 50 80
AA124ML212AL	2 1/2				
AA126PP Flush Out Strainer					
AA126MLF50	50 Series Flange	Poly	Poly	CP169031SSPP* CP169033SSPP* CP169034SSPP* CP169035SSPP* CP169036SSPP* CP169037SSPP*	16 30 50 80 100 200
AA126ML3	3/4 NPT				
AA126ML4	1 NPT				

\* with polypropylene frame  
All strainers are available with BSPT connection



# POLYPROPYLENE FITTINGS

Bushings Reducing MPT x FPT				Elbow Street, FPTx MPT		
Part No.	Male Thread (in)	Female Thread (in)		Part No.	Female Thread (in)	Male Thread (in)
PF-RB3818	3/8	1/8		PF-SE14	1/4	1/4
PF-RB3814	3/5	1/4		PF-SE12	1/2	1/2
PF-RB1218	1/2	1/8		PF-SE34	3/4	3/4
PF-RB1214	1/2	1/4		PF-SE100	1	1
PF-RB1238	1/2	3/8		PF-SE114	1-1/4	1-1/4
PF-RB3418	3/4	1/8		PF-SE112	1-1/2	1-1/2
PF-RB3414	3/4	1/4		PF-SE200	2	2
PF-RB3438	3/4	3/8		Elbow, HB x HB		
PF-RB3412	3/4	1/2		Part No.	Hose Barb (in)	Hose Barb (in)
PF-RB10012	1	1/2		PF-EB1414	1/4	1/4
PF-RB10034	1	3/4		PF-EB3814	3/8	1/4
PF-RB11434	1-1/4	3/4		PF-EB3838	3/8	3/8
PF-RB114100	1-1/4	1		PF-EB1214	1/2	1/4
PF-RB11234	1-1/2	3/4		PF-EB1238	1/2	3/8
PF-RB112100	1-1/2	1		PF-EB1212	1/2	1/2
PF-RB112114	1-1/2	1-1/4		PF-EB5858	5/8	5/8
PF-RB20034	2	3/4		PF-B3458	3/4	5/8
PF-RB200100	2	1		PF-EB3434	3/4	3/4
PF-RB200114	2	1-1/4		PF-EB1010	1	1
PF-RB200112	2	1-1/2		PF-EB114	1-1/4	1-1/4
PF-RB300200	3	2	PF-EB112	1-1/2	1-1/2	
			PF-EB200	2	2	
Coupling, FPT x FPT				Hose Mender HB x HB		
Part No.	Female Thread (in)	Female Thread (in)		Part No.	Hose Barb (in)	Hose Barb (in)
PF-FTC12	1/2	1/2		PF-SHM1400	1/4	1/4
PF-FTC34	3/4	3/4		PF-SHM3800	3/8	3/8
PF-FTC100	1	1		PF-SHM1200	1/2	1/2
PF-FTC114	1-1/4	1-1/4		PF-SHM1238	1/2	3/8
PF-FTC112	1-1/2	1-1/2		PF-SHM1258	1/2	5/8
PF-FTC200	2	2		PF-SHM5800	5/8	5/8
Elbows, FPT x FPT				PF-SHM3400	3/4	3/4
Part No.	Female Thread (in)	Female Thread (in)		PF-SHM1000	1	1
PF-ELF12	1/2	1/2		PF-SHM114	1-1/4	1-1/4
PF-ELF34	3/4	3/4		PF-SHM112	1-1/2	1-1/2
PF-ELF100	1	1		PF-SHM200	2	2
PF-ELF114	1-1/4	1-1/4				





# POLYPROPYLENE FITTINGS

Elbow, MPT x HB			Hose Barb x MPT		
Part No.	Male Thread (in)	Hose Barb (in)	Part No.	Male Thread (in)	Hose Barb (in)
PF-EL1838	1/8	3/8	PF-A1814	1/8	1/4
PF-EL1414	1/4	1/4	PF-A1838	1/8	3/8
PF-EL1438	1/4	3/8	PF-A1414	1/4	1/4
PF-EL1412	1/4	1/2	PF-A1438	1/4	3/4
PF-EL1458	1/4	5/8	PF-A1412	1/4	1/2
PF-EL1814	1/8	1/4	PF-A3814	3/8	1/4
PF-EL3814	3/8	1/4	PF-A3838	3/8	3/8
PF-EL3838	3/8	3/8	PF-A3812	3/8	1/2
PF-EL3812	3/8	1/2	PF-A1214	1/2	1/4
PF-EL1214	1/2	1/4	PF-A1238	1/2	3/8
PF-EL1238	1/2	3/8	PF-A1212	1/2	1/2
PF-EL1212	1/2	1/2	PF-A1258	1/2	5/8
PF-EL1258	1/2	5/8	PF-A1234	1/2	3/4
PF-EL1234	1/2	3/4	PF-A1210	1/2	1
PF-EL12100	1/2	1	PF-A3414	3/4	1/4
PF-EL3414	3/4	1/4	PF-A3438	3/4	3/8
PF-EL3438	3/4	3/8	PF-A3412	3/4	1/2
PF-EL3412	3/4	1/2	PF-A3458	3/4	5/8
PF-EL3458	3/4	5/8	PF-A3434	3/4	3/4
PF-EL34	3/4	3/4	PF-A3410	3/4	1
PF-EL34100	3/4	1	PF-A1034	1	3/4
PF-EL10012	1	1/2	PF-A1010	1	1
PF-EL10034	1	3/4	PF-A1114	1	1-1/4
PF-EL1010	1	1	PF-A11434	1-1/4	3/4
PF-EL11434	1-1/4	3/4	PF-A114100	1-1/4	1
PF-EL1141	1-1/4	1	PF-A114	1-1/4	1-1/4
PF-EL114	1-1/4	1-1-4	PF-A114112	1-1/4	1-1/2
PF-EL114112	1-1/4	1-1/2	PF-A112114	1-1/2	1-1/4
PF-EL112	1-1/2	1-1/2	PF-A112114	1-1/2	1-1/2
PF-EL200	2	2	PF-A200	2	2



### Ball Check Valve

Part No.	Pipe Thread (in)	PSI
PF-NBC10	11/16M X 11/16F	10

If you do not see a fitting or size that you need, please call a NCI representative for further assistance.



# POLYPROPYLENE FITTINGS

Nipples MPT x MPT			
Part No.	Male Pipe Thread (in)	Male Pipe Thread (in)	
PF-M1400	1/4	1/4	
PF-M3800	3/8	3/8	
PF-M3812	3/8	1/2	
PF-M1200	1/2	1/2	
PF-M1214	1/2	1/4	
PF-M3400	3/4	3/4	
PF-M3438	3/4	3/8	
PF-M3412	3/4	1/2	
PF-M1000	1	1	
PF-M1140	1-1/4	1-1/4	
PF-M1120	1-1/2	1-1/2	
PF-M2000	2	2	

Nozzle Bodies, Elbow PT x HB		
Part No.	Pipe Thread (in)	Hose Barb (in)
PF-NTL38	11/16	3/8
PF-NTL12	11/16	1/2
PF-NTL58	11/16	5/8
PF-NTL34	11/16	3/4

Nozzle Bodies, Cross PT x HB		
Part No.	Pipe Thread (in)	Hose Barb (in)
PF-T38C	11/16	3/8
PF-T12C	11/16	1/2
PF-T58C	11/16	5/8
PF-T34C	11/16	3/4

Plug, MPT	
Part No.	Male Thread (in)
PF-F1800	1/8
PF-F1400	1/4
PF-F3800	3/8
PF-F1200	1/2
PF-F3400	3/4
PF-F1000	1
PF-F1014	1-1/4
PF-F112	1-1/2
PF-F200	2

Tee, FPT x FPT x FPT x GP				
Part No.	Female Thread (in)	Female Thread (in)	Female Thread (in)	Gauge Port (in)
PF-GTT1214	1/2	1/2	1/2	1/2
PF-GTT3414	3/4	3/4	3/4	3/4



Tee, FPT x FPT x FPT			
Part No.	Female Thread (in)	Female Thread (in)	Female Thread (in)
PF-TT14	1/4	1/4	1/4
PF-TT12	1/2	1/2	1/2
PF-TT34	3/4	3/4	3/4
PF-TT100	1	1	1
PF-TT114	1-1/4	1-1/4	1-1/4
PF-TT112	1-1/2	1-1/2	1-1/2
PF-TT200	2	2	2

Tee, HB x HB x HB			
Part No.	Hose Barb (in)	Hose Barb (in)	Hose Barb (in)
PF-T18	1/8	1/8	1/8
PF-T14	1/4	1/4	1/4
PF-T38	3/8	3/8	3/8
PF-T3812	3/8	3/8	3/8
PF-T1238	1/2	1/2	1/2
PF-T12	1/2	1/2	1/2
PF-T58	5/8	5/8	5/8
PF-T3412	3/4	3/4	3/4
PF-T34	3/4	3/4	3/4
PF-T100	1	1	1
PF-T114	1-1/4	1-1/4	1-1/4
PF-T112	1-1/2	1-1/2	1-1/2
PF-T200	2	2	2

Tee, MPT x HB x HB			
Part No.	Male Thread (in)	Hose Barb (in)	Hose Barb (in)
PF-T1814T	1/8	1/4	1/4
PF-T14T	1/4	1/4	1/4
PF-T1438T	1/4	3/8	3/8
PF-T1412T	1/4	1/2	1/2
PF-T3814T	3/8	1/4	1/4
PF-T38T	3/8	3/8	3/8
PF-T3812T	3/8	1/2	1/2
PF-T1238T	1/2	3/8	3/8
PF-T12T	1/2	1/2	1/2
PF-T1258T	1/2	5/8	5/8
PF-T1234T	1/2	3/4	3/4
PF-T3438T	3/4	3/8	3/8
PF-T3412T	3/4	1/2	1/2
PF-T3458T	3/4	5/8	5/8



# MANIFOLD POLYPROPYLENE FITTINGS

Clamps & Accessories		Part No.		Description	
		FC100	1" Worm Screw Clamp	FC200	2" Std. Worm Screw Clamp
FC300	3" Worm Screw Clamp	M100G	1" EDPM Gasket	M100GV	1" Viton Gasket
150G	2" Std. EPGM Gasket	150GV	2" Std. Viton Gasket	200G	2" Full EPGM Gasket
200GV	2" Full Viton Gasket	300G	3" EPGM Gasket	300GV	3" Viton Gasket
UB100	1" Mounting U-Bolt, SS	UB200	2" Std. Mounting U-Bolt, SS		

Coupling, 45°		Part No.	Description
M100CPG45	1" Flange	M200CPG45	2" Std. Port Flange
M220CPG45	2" Full Port Flange		

Couplings, Flange		Part No.	Flange (in)
M100CPG	1 x 1	M200CPG	2 x 2 Std.
M220CPG	2 x 2 Full Port	M300CPG	3 x 3

Reducing Coupling, Flange		
Part No.	Flange	Reducer (in)
M200100CPG	2" Std.	1
M220100CPG	2" Full	1
M220200CPG	2" Full	2 Std.
M300200CPG	3" Std.	2 Std.
M300220CPG	3" Full	2 Full

Connect, Male Thread x Flange		
Part No.	Flange (in)	Male Thread (in)
M100075MPT	1	3/4
M100MPT	1	1
M100125MPT	1	1-1/4
M200125MPT	2 Std.	1-1/4
M200150MPT	2 Std.	1-1/2
M200MPT	2 Std.	2
M220MPT	2 Full	2
M300MPT	3	3

Connect, Flange x Female Pipe Thread		
Part No.	Flange (in)	Thread (in)
M100050FPT	1	1/2
M100075FPT	1	3/4
M100FPT	1	1
M200FPT	2 Std.	2 Std.

Flange x Barb		
Part No.	Flange (in)	Barb (in)
M100075BRB	1	3/4
M100BRB	1	1
M100125BRB	1	1-1/4
M200100BRB	2 Std.	1
M200150BRB	2 Std.	1-1/4
M200125BRB	2 Std.	1-1/2
M200BRB	2 Std.	2
M220150BRB	2 Full	1-1/2
M220BRB	2 Full	2
M300220BRB	3	2
M300BRB	3	3

Flange x Male Adapter		
Part No.	Adapter (in)	Flange (in)
M220A	2	2
M300A	3	3

Cross, Flange	
Part No.	Description
M100CR	1" Flange Cross
M200CR	2" Std. Port Flange Cross
M220CR	2" Full Port Flanged Cross
M300CR	3" Flanged Cross

Tee	
Part No.	Description
M100TEE	1" Flange Tee
M101TEE	1" Flange Tee, Long
M200100TEE	2" Std. Port x 1" Flange Tee
M200TEE	2" Std Port Flange Tee
M220TEE	2" Full Port Flange Tee
M300TEE	3" Flange Tee

Flange with Inductor	
Part No.	Description
M200TEEV075	2" Std. Flange Tee with 3/4" Inductor
M100075BRBV	1" Flange x Smooth 3/4" Barb



# MANIFOLD POLYPROPYLENE FITTINGS

Flange x Flange 90°			
	Part No.	Flange (in)	Flange (in)
	M100CPG90	1	1
	M200CPG900	2	2
	M200CPG90SH	2 Std.	2 Std.
	M220CPG90	2 Full	2 Full
	M300CPG90	3	3
	M200CPG45	2	2" 45°
	Flange x Barb, 90° Elbow		
	Part No.	Flange (in)	Barb (in)
	M10075BRB90	1	3/4
	M100BRB90	1	1
	M100125BRB90	1	1-1/4
	M200100BRB	2 Std.	1
	M200125BRB	2 Std.	1-1/4
	M200150BRB	2 Std.	1-1/2
	M200BRB	2 Std.	2
	M220150BRB	2 Full	1-1/2
	M220BRB	2 Full	2
	M300220BRB	3	2
	M300BRB	3	3



# HOSE & TUBING - ORDER BY THE FOOT

<b>Wire Reinforced EPDM Suction/ Discharge Hose</b> <ul style="list-style-type: none"> <li>• Wire helix with textile ply wrapped with smooth cover</li> <li>• Safe for variety of liquid requiring elevated pressure</li> <li>• Sold by the foot. Specify length when ordering</li> </ul>	<b>Part No.</b>	<b>ID (in)</b>	<b>PVC Standard Duty Suction Hose</b> <ul style="list-style-type: none"> <li>• Previously used on NCI liquid equipment; now use PVC Bumble Bee because of ease of use</li> <li>• Flexible with good adhesion between soft wall and helix</li> <li>• Safe for water &amp; light chemical solutions</li> <li>• Clear, smooth surfaces</li> </ul>	<b>Part No.</b>	<b>ID (in)</b>
	HO-SH114EPDM	1-1/4		HO-SH34PVC	3/4
	HO-SH112EPDM	1-1/2		HO-SH100PVC	1
	HO-SH200EPDM	2		HO-SH114PVC	1-1/4
	HO-SH300EPDM	3		HO-SH112PVC	1-1/2
	HO-SH400EPDM	4	HO-SH200PVC	2	
			HO-SH300PVC	3	
			HO-SH400PVC	4	
<b>EVA Tubing</b> <ul style="list-style-type: none"> <li>• Semi-translucent tubing made of ethyl vinyl acetate</li> <li>• Ideal for herbicide, pesticide, anhydrous ammonia applicator hose; vacuum hose, sight gauge</li> </ul>	<b>Part No.</b>	<b>ID (in)</b>	<b>PVC Bumble Bee HD Suction Hose</b> <ul style="list-style-type: none"> <li>• Used on NCI Liquid Equipment</li> <li>• Flexible with good adhesion between soft wall and helix</li> <li>• Safe for water &amp; light chemical solutions</li> <li>• Ridged exterior, not transparent</li> </ul>	<b>Part No.</b>	<b>ID (in)</b>
	HO-12EVA	1/2"		HO-SHBB100	1
	HO-34EVA	3/4"		HO-SHBB114	1-1/4
	HO-38EVA	3/8"	HO-SHBB112	1-1/2	
<b>Clear Vinyl Tubing</b> <ul style="list-style-type: none"> <li>• High gloss clear tubing made of non-toxic crystal PVC</li> <li>• Ideal for water, weak chemicals and acids, sight gauge, drainage, air lines</li> <li>• NSF-51 and NSF-61 certified material</li> </ul>	<b>Part No.</b>	<b>ID (in)</b>	<b>Ag Spray Hose</b> <ul style="list-style-type: none"> <li>• Safe for water discharge in residential, agricultural, and industrial applications</li> <li>• NCI commonly stocks 1/2", 3/4", 1-1/2", 2"</li> <li>• 3/4" Hose used on NCI liquid equipment between nozzles</li> <li>• 2" hose used on NCI liquid equipment on to protect booms</li> </ul>	<b>1/2" Hose Part No.</b>	<b>PSI</b>
	HO-CT14PVC	1/4		HO-12150	150PSI
	HO-CT38PVC	3/8, 1/16" wall		HO-12300	300 PSI
	HO-CT38PVCTW	3/8, 1/8" wall		HO-12600	600 PSI
	HO-CT12PVC	1/2, 1/16" wall		HO-12800	800 PSI
	HO-CT12PVCTW	1/2, 1/8" wall		<b>3/4" Hose Part No.</b>	<b>PSI</b>
	HO-CT58PVC	5/8		HO-34150	150 PSI
	HO-CT34PVC	3/4		HO-34200	200 PSI
	HO-CT100PVC	1		HO-34300	300 PSI
	HO-CT112PVC	1-1/2		HO-34600	600 PSI
		HO-34800	800 PSI		
<b>Nylon Air Line Tubing</b> <b>Unbraided:</b> <ul style="list-style-type: none"> <li>• Ideal for pneumatic lines, instrumentation systems, lubrication, fuel, oil, and refrigerant line</li> </ul> <b>Braided:</b> <ul style="list-style-type: none"> <li>• Ideal for material handling, water, light chemical solutions</li> </ul>	<b>Unbraided Part No.</b>	<b>ID (in)</b>	<b>1-1/2" Hose Part No.</b>	<b>PSI</b>	
	DF-KO348	1/4	HO-122150	150	
	<b>Braided 1/16" wall Part No.</b>	<b>ID (in)</b>	<b>2" Hose Part No.</b>	<b>PSI</b>	
	HO-CT38BPVC	3/8	HO-200150	150	
	HO-CT12BPVC	1/2	<b>Part No.</b>	<b>ID (in)</b>	
<b>PVC Lay Flat Discharge Hose</b> <ul style="list-style-type: none"> <li>• Used as a protective barrier for other hoses on NCI Equipment</li> <li>• Resistant to abrasion and aging</li> <li>• Safe for water discharge</li> </ul>	<b>Part No.</b>	<b>ID (in)</b>	HH-HFS204	1/4	
	HO-200065PVC	2	HH-HFS208	1/2	
	HO-30065PVC	3	HH-HFS212	3/4	
			HH-HFS216	1	
			HH-HFS220	1 1/4	
			<b>Hydraulic Hose</b>		
			<ul style="list-style-type: none"> <li>• Variety of sizes used on NCI dry equipment</li> <li>• 1/2" commonly used on NCI liquid equipment</li> </ul>		



# CLAMPS & HOSE REEL

### Worm Clamp

- Stainless steel housing
- 5/16" hex-head screw



Part No.	Description
TP-FC200	200 Series, 2"
TP-FC220	220 Series, 2", Flange
TP-FC300	300 Series, 3"

### Clamp

- Stainless steel housing



Part No.	ID (in)
CL-0400	1/4
CL-0600	3/8
CL-0800	1/2
CL-1200	3/4
CL-1600	1
CL-3200	2
CL-4000	2-1/2

### T Bolt Hose Clamp

- Stainless steel bolt with silver plated nut to prevent seizing
- 360 degree sealing surface
- Ideal for high torque applications



Part No.	ID (in)	Diameter Range (in)
TP-TC218	2	2.18-2.5
TP-TC331	3	3.31-3.62
TP-TC343	3	3.43-3.75

Please call NCI Parts for further information



## HOSE REEL



### Models 4312H, 4318H, 4312E, 4318E

- Heavy duty aluminum frame
- Super swivel with ball bearing support and grease fitting
- Aluminum Disks. PVC spool. Plated steel hardware. Carbon steel manifold
- 2- vane semi open impeller
- Spring loaded pin-lock - 4312H, 4318H
- Switch and solenoid are mounted on a SS plate and wired to 12 volt electric motor - 4312E, 4318E

### Model 3012

- Economical steel reel
- Black powder coated
- Dimensionally identical to 4312H

### Titan 3012



### Standard Summit Features

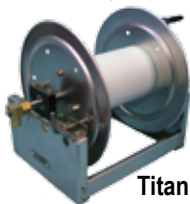
- 1/2" or 1" inlet/outlet available
- Capacity up to 650' of 3/8" hose
- All reels pressure treated, power coated

### SM Series

- Steel crank handle with free turning hand grip

### SME Series

- 1/3 HP 12 volt DC motor
- Pre-wired heavy duty push button switch
- Solenoid included & Mounted



Titan 4312H



Titan 4312E optional hose guide



Summit SM Series

Full Frame Part No.	Electric Rewind Part No.	Hose ID in Inches					Inlet/Outlet NPT	Spool Width (in)	Spool Dia. (in)
		1/4	3/8	1/2	5/8	1			
<b>Titan Hose Reels</b>									
4312H	4312E	425	300	200	150	--	1/2	12	6
4318H	4318E	625	450	325	225	--	1/2	18	6
3012	-	425	300	200	150	-	1/2	12	6
<b>Summit Hose Reels</b>									
HR-SM12	-	400	250	175	100	70	1/2 or 1	12	6
HR-SM60	-	175	100	75	40	--	1/2 or 1	6	6
HR-SM80	-	200	140	100	60	--	1/2 or 1	8	6
-	HR-SME18	600	400	300	150	125	1/2 or 1	18	6
Length of Hose in Feet									

