

HORIZONTAL LEG TANKS

PICKUP TRUCK TANKS

PCO TANKS

VERTICAL STORAGE TANKS

ELLIPTICAL LEG TANKS



Liquid Storage Tanks

 **NORWESCO**

2008 Edition

Norwesco is proud to be the world’s largest manufacturer of molded poly tanks. For over 25 years, our customers have relied on Norwesco tanks for premium quality and reliability in performance.

Norwesco tanks are manufactured to strict quality guidelines to ensure years of high-performance use. Rugged, impact-resistant, one-piece seamless polyethylene construction make our tanks suitable for the storage and/or transport of most liquid chemicals. Norwesco tanks are manufactured using resins that meet FDA specifications to ensure safe storage of potable water. Norwesco tanks will be delivered to you with a fitting installed when applicable, but may also be ordered without a fitting.

Our goal is to make it easy and pleasant to do business with Norwesco. We consider our relationship with our customers to be our most valuable asset.

Vertical Storage Tanks	3
Horizontal Leg Tanks	4
Elliptical Leg Tanks	4
Drainable Leg Tanks	5
Steel Supports & Accessories for Leg Tanks	5
Pickup Truck Tanks	6
Flat Bottom Utility Tanks & Bands	6
PCO Tanks	6
Mini Bulk Tanks	7
Elliptical Tanks & Skids	7
Applicator Tanks	8
Inductor Tanks	8
Total Drain Tanks	8
Spot Sprayer Tanks	8
Inductor Stands	9
Applicator Saddle Assemblies	9
Black or Dark Green Water Tanks	10
Specialty Water Tanks	10 & 11
Containment Basins/Tanks	11
Cone Bottom Tanks & Stands	12
High Density Polyethylene Lids	13
Hinged Lid & Hinged Lid Repair Parts	13
Polyethylene Tank Repair Kits	13
Polypropylene Bulkhead Fittings	14
Polypropylene Bolted Fittings	15
Stainless Steel Bolted Fittings	15

Vertical Storage Tanks

Vertical storage tanks are most frequently used for bulk storage and mobile nursing applications.

Norwesco vertical tanks feature tie-down slots, built-in graduated gallon indicators, an offset fill-opening and a self-vented, slosh-proof lid.



Gallon Capacity	Diameter	Overall Height	Fill Opening	Outlet/Drain Specification	Premium Weight Part No. White	Heavy Weight Part No. Blue
25 □	18"	29"	5"	3/4"	41867	—
50 □	18"	53"	5"	3/4"	41865	—
65 □	23"	43"	8"	1 1/4"	45192	—
75 □	23"	49"	8"	1 1/4"	41863	—
100 □	28"	43"	8"	1 1/4"	41861	—
105 □	23"	63"	8"	2"	40803	—
150	30"	56"	8"	1 1/4"	41859	—
165	31"	56"	16"	2"	40281	—
200	30"	72"	8"	2"	41856	—
210	32"	67"	16"	2"	47401	—
250	30"	89"	8"	2"	41854	—
300	36"	79"	16"	2"	40213	—
305	46"	50"	16"	2"	40302	—
500	48"	73"	16"	2"	40148	40150
550	67"	44"	16"	2"	40023	—
750	48"	103"	16"	2"	40606	—
850	48"	118"	16"	2"	42214	—
1000	64"	80"	16"	2"	40152	40154
1100	87"	53"	16"	2"	40070	40081
1100 G	87"	53"	16"	2"	42591	42593
1500	64"	116"	16"	2"	40144	40146
1550	87"	67"	16"	2"	40235	40236
1550 G	87"	67"	16"	2"	42595	42597
1700	87"	74"	16"	2"	40010	40012
2000	64"	152"	16"	2"	47109	47564
2100	87"	89"	16"	2"	40178	40241
2100	102"	69"	16"	2"	41399	—
2500	95"	91"	16"	2"	40051	40052
2500	102"	79"	16"	2"	42382	42384
3000	91"	119"	16"	2"	45081	—
3000	95"	109"	16"	2"	40754	40755
3000	102"	93"	16"	2"	45246	42380
4000	102"	125"	16"	3 1/2"	40312	—
4200	102"	131"	16"	3 1/2"	41403	—
5000	102"	152"	16"	3 1/2"	40164	40166
5500	138"	92"	16"	3 1/2"	45086	—
5800	141"	98"	16"	3 1/2"	40071	—
6000	102"	182"	16"	3 1/2"	40226	40233
6100	119"	140"	16"	3 1/2"	40659	40661
6500	120"	147"	16"	3 1/2"	42315	42317
6500	119"	150"	16"	3 1/2"	40224	40232
7800	119"	176"	16"	3 1/2"	40663	40665
8400	119"	188"	16"	3 1/2"	42060	42062
9000	141"	146"	16"	3 1/2"	40543	40231
10000	141"	160"	16"	3 1/2"	40545	40353
12000	141"	193"	16"	3" *	40539	40541
15000	141"	244"	16"	3" *	41334	41336

□ May ship UPS Oversize G=Gusset Top *316 Stainless Steel Bolted Fitting

PLEASE NOTE: Tank availability may vary according to manufacturing location. Please contact Norwesco Customer Service or your Norwesco distributor for specific details. Tank dimensions and capacities may vary slightly and are subject to change without notice.



325 Gallon Horizontal Leg Tank

1025 Gallon Horizontal Leg Tank

Horizontal Leg Tanks

With the broadest leg tank line available, Norwesco manufactures a size that will fit your needs. Used primarily for transport and nursing applications, Norwesco's leg tanks feature molded-in legs that act as "baffles" to reduce sloshing. Please refer to page 5 for support bands.

Gallon Capacity	Diameter	Overall Height	Length	Fill Opening	Outlet/Drain Specification	No. of Bands	Premium Weight Part No. White	Heavy Weight Part No. Blue
35 α	20"	23"	29"	5"	¾"	2 optional	45223	---
55 α	23"	26"	34"	5"	¾"	2 optional	41873	---
65 α	23"	26"	43"	5"	¾"	2 optional	45191	---
125	32"	35"	41"	8"	2"	2 optional	40298	---
225	38"	41"	49"	8"	2"	2 optional	40299	---
325	38"	43"	68"	8"	2"	2 optional	42837	---
325	38"	43"	68"	16"	2"	2 optional	40217	---
425	49"	54"	60"	16"	2"	2 optional	42016	---
525	49"	54"	71"	16"	2"	2 optional	40181	40193
725 *	49"	54"	101"	16"	2"	3 required	40180	40194
925 *	62"	65"	80"	16"	2"	2 required	45209	---
925 * with sump	62"	69"	80"	16"	2"	2 required	45210	---
1025 *	49"	54"	139"	16"	2"	4 required	40089	40131
1325 *	66"	70"	99"	16"	2"	3 required	41875	41877
1625 *	63"	68"	139"	16"	2"	4 required	40026	40133
5025 *	92"	96"	190"	16" **	3"/2"	5 required	41879	41881

α May ship UPS Oversize *Require full length support and bands **16" hinged lid



2035 Gallon Elliptical Leg Tank

Elliptical Leg Tanks

This elliptical tank style is designed to provide the greatest capacity with the lowest center of gravity, making it the best design available for transporting larger volumes. Norwesco elliptical tanks feature molded-in legs that act as "baffles" to reduce sloshing and provide increased stability during transport. All Norwesco elliptical leg tanks require full length bottom support as well as support bands. Please refer to page 5 for support bands.

Gallon Capacity	Width	Overall Height	Length	Fill Opening	Outlet/Drain Specification	Premium Weight Part No. White	Heavy Weight Part No. Blue
335	48"	33"	71"	16"	2"	42339	---
535	57"	39"	80"	16"	2"	42353	---
1035	79"	54"	89"	16"	2"	40191	---
1235	66"	53"	128"	16"	2"	40239	---
1335	67"	57"	122"	16"	2"	42415	42417
1635	71"	58"	142"	16"	2"	40387	40388
2035	84"	56"	142"	16"	2"	40618	40623
2635	90"	72"	140"	16"	3"/2"	40547	40283
3135	88"	80"	150"	16"	3"/2"	40686	40688
4035	92"	75"	192"	16" **	3"/2"	41267	41269

**16" hinged lid

PLEASE NOTE: Tank availability may vary according to manufacturing location. Please contact Norwesco Customer Service or your Norwesco distributor for specific details. Tank dimensions and capacities may vary slightly and are subject to change without notice.

Drainable Leg Tanks

When complete drainage is necessary, these are the tanks of choice. They are designed primarily for use on fertilizer and chemical nurse trailers. All Norwesco drainable tanks require full length bottom support as well as support bands. Please refer below for support bands.



1010 Gallon Drainable Leg Tank

Gallon Capacity	Width	Overall Height	Length	Fill Opening	Outlet/Drain Specification	No. of Bands	Premium Weight Part No. White	Heavy Weight Part No. Blue
710 (horizontal)	47"	57"	104"	16"	2"	3 required	40655	40657
1010 (horizontal)	47"	58"	140"	16"	2"	4 required	40393	40395
1310 (horizontal)	66"	75"	99"	16"	—	3 required	41871	41872
1610 (elliptical)	69"	63"	140"	16"	—	4 required	40806	40808
2610 (elliptical)	90"	79"	140"	16"*	—	4 required	41382	41383
3210 (elliptical)	92"	75"	178"	16"*	—	4 required	40822	40824

*16" hinged lid

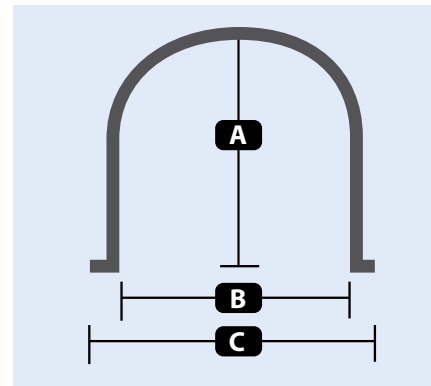
Steel Supports and Accessories for Leg Tanks

Norwesco bands are custom fabricated to support the Norwesco tanks and are galvanized or powder coated for added corrosion protection. Whether using the tank in a stationary position or for transport, bands are necessary to ensure that the tank retains its shape and integrity.

Elliptical Leg Tank Bands

Tank Size (Gallon)	A	B	C	No. of Bands	Part No.
335	29"	46½"	52½"	2 required	63546
535	35"	55½"	61½"	2 required	63547
1035	47¼"	77"	83"	3 required	60325
1235	47¾"	64¾"	70¾"	4 required	60477
1335	53"	65"	71"	3 required	63548
1635	51"	68"	74"	4 required	60586
2035	51¼"	81½"	86¾"	4 required	62079
2635	65¼"	87½"	94"	4 required	60353
3135	75¼"	85½"	92"	4 required	62097
3135 *	74¼"	85½"	92"	4 required	63620
4035	70¼"	89½"	96"	4 required	62832

*For tanks manufactured in UT or CA



Horizontal Leg Tank Bands

Tank Size (Gallon)	A	B	C	No. of Bands	Part No.
35 ‡	18½"	18½"	21¾"	2 optional	60520
55 ‡	22"	22"	26½"	2 optional	61745
65 ‡	22"	22"	26½"	2 optional	61745
125 ☒	30¾"	30½"	35"	2 optional	61744
225 ☒	36½"	36"	42"	2 optional	60478
325 ☒	36½"	36"	42"	2 optional	60478
425	47¾"	46¼"	52¼"	2 optional	60057
525	47¾"	46¼"	52¼"	2 optional	60057
725	47¾"	46¼"	52¼"	3 required	60057
925	61"	60"	66"	2 required	62852
1025	47¾"	46¼"	52¼"	4 required	60057
1325	64"	64"	70"	3 required	63282
1625	61"	60¾"	67¼"	4 required	60079
5025	89¾"	89½"	93¾"	5 required	63284

‡ May ship UPS Dimensional Weight ☒ May ship UPS Oversize

Drainable Leg Tank Bands

Tank Size (Gallon)	A	B	C	No. of Bands	Part No.
710 ☒	46¼"	45"	51"	3 required	60584 short
1010 ☒*	46¼"	45"	51"	2 required	60584 short
1010 ☒*	48"	45"	51"	2 required	60585 long
1310	64"	64"	70"	3 required	63282
1610	49"	66"	72"	4 required	62434
2610 *	58"	87½"	91⅞"	2 required	63044 short
2610 *	62"	87½"	91⅞"	2 required	63045 long
3210 *	56"	89½"	92¾"	2 required	62347 short
3210 *	60"	89½"	92¾"	2 required	62348 long

*2 short and 2 long bands are required for 1 tank ☒ May ship UPS Oversize

Ladders

Description	Tank Size (Gallon)	Part No.
Ladder (optional)	2635 & 3135	60354
Ladder (optional)	2610 & 3210	63047
Ladder (optional)	4035	63033
Adaptor kit for ladder †	3135	62301

† This kit is required when using the ladder on the 3135 gallon tank



Pickup Truck Tanks

Designed to fit full-size, American made pickups, the 325 and 425 sizes have low profiles for better rear vision. They feature fill openings offset to the side of the tank for safety and easy access. A tough circular design adds strength. The 210 gallon tank fits both "mini" pickups and full-size models. Depending on which way the tank is turned, the bottom width can be either 39" or 48".

Gallon Capacity	Top Width or Diameter	Bottom Width or Diameter	Overall Height	Fill Opening	Outlet/Drain Specification	Premium Weight Part No. White
210	60"/51"	48"/39"	29"	8"	2"	40300
325	62"	49"	33"	8"	2"	40160
425	65"	49"	39"	8"	2"	40102



Flat Bottom Utility Tanks

Like the PCO tank, the Flat Bottom Utility tank can be used for many applications. It is the perfect choice when looking for a tank to put in the bed of a pickup truck. The tank may be used with or without bands.

Gallon Capacity	Width	Overall Height	Length	Fill Opening	Outlet/Drain Specification	Premium Weight Part No. White
50 ♂	19"	23"	38"	8"	1"	42341
100 ♂	27"	29"	43"	8"	1"	42343
150	36"	29"	48"	8"	1"	42345
200	36"	38"	48"	8"	1"	42347

♂ May ship UPS Oversize

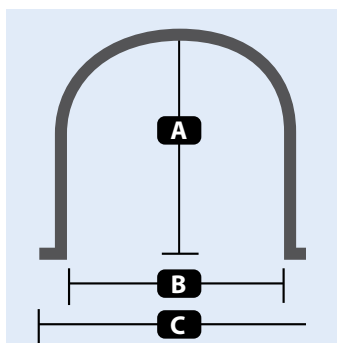


PCO Tanks

A multi-purpose tank, the PCO is well suited for nursery, agricultural and lawn care applications. These tanks feature self-supporting legs and do not require any saddles or steel supports. Flat spots are molded into both ends to provide mounting areas for agitation equipment.

Gallon Capacity	Width	Overall Height	Length	Fill Opening	Premium Weight Part No. White
30 ♂	19"	23"	25"	5"	41254
50 ♂	19"	22"	38"	8"	40664
100 ♂	30"	28"	38"	8"	40668
150	36"	28"	48"	8"	40669
200	36"	37"	48"	8"	41413
300	36"	37"	69"	16"	41381

♂ May ship UPS Oversize



Flat Bottom Utility Tank Bands

Tank Size (Gallon)	A	B	C	No. of Bands	Part No.
50	19"	18½"	23"	2 optional	63551
100	24"	25"	29½"	2 optional	63552
150	24"	34½"	39"	2 optional	63553
200	33"	34½"	39"	2 optional	63554

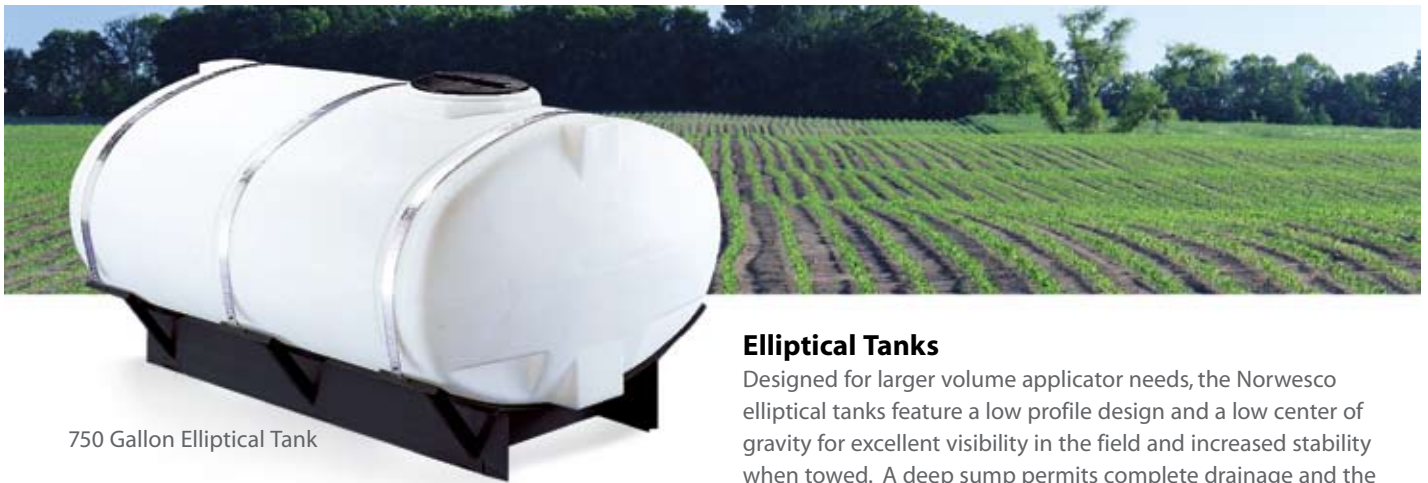
PLEASE NOTE: Tank availability may vary according to manufacturing location. Please contact Norwesco Customer Service or your Norwesco distributor for specific details. Tank dimensions and capacities may vary slightly and are subject to change without notice.



Mini Bulk Tanks

Norwesco mini bulk tanks are most frequently used for chemical dispensing. The tanks can be mounted on forklift accessible pads for ease of movement. A 2" polypropylene fitting is installed directly across from the fill-opening.

Gallon Capacity	Diameter	Overall Height	Fill Opening	Outlet/Drain Specification	Premium Weight Part No. White
120	38"	31"	5"	2"	40318
220	42"	44"	5"	2"	40320



750 Gallon Elliptical Tank

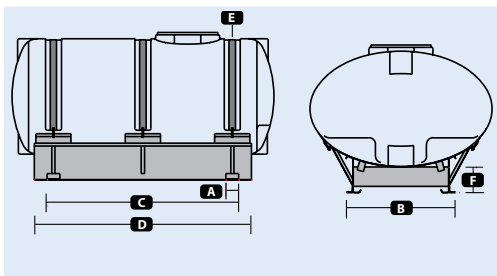
Elliptical Tanks

Designed for larger volume applicator needs, the Norwesco elliptical tanks feature a low profile design and a low center of gravity for excellent visibility in the field and increased stability when towed. A deep sump permits complete drainage and the tanks feature an 8" or 16" fill-opening. Please refer to information below for steel supports.

Gallon Capacity	Width	Overall Height Including Sump	Length	Sump Depth	Fill Opening	Outlet/Drain Specification	Premium Weight Part No. White
200	40"	30"	66"	3/4"	8"	1 1/4" & 1 1/4"	41252
300	48"	36"	70"	3"	16"	1 1/4" & 1 1/4"	40327
500	57"	44"	82"	5"	16"	1 1/4" & 1 1/4"	40328
750	69"	48"	88"	3"	16"	2"	40329
1000	78"	55"	90"	3"	16"	2"	40330
1600 *	78"	54"	138"	2 1/2"	16"	2"	47111
2550 **	88"	82"	142"	9"	16"	3"	47677

Skid not included with tank. See below for skids.

* Includes 1 stainless steel baffle ** The 2550 requires support bands



Elliptical Tank Skids (See dimensional drawings at left.)

Tank Size (Gallon)	Tank Part No.	A	B	C	D	E	F	Part No.
200	41252	4"	24"	52"	57"	2" x 68"	8"	63015
300	40327	4"	34"	46 1/4"	54 1/4"	2" x 76"	8"	63016
500	40328	4"	34"	60"	68"	2" x 94"	8"	63018
750	40329	4"	38"	69 1/2"	78"	2" x 112"	8"	60371
1000	40330	4"	46"	60"	72"	2" x 130"	8"	60372
2550*	47677	—	—	—	—	—	—	67456

* Band only, no skid. The 2550 requires 4 support bands, part #67456. Replacement bands and hardware are available. Please contact Norwesco Customer Service for details.

Applicator, Inductor, Total Drain and Spot Sprayer Tanks

Whether you're looking for a new or replacement tank, you'll find it in the Norwesco line. All Norwesco applicator tanks feature a lid which threads directly into the fill-opening of the tank to prevent the sloshing or leaking of tank contents during transport or application. The inductor tanks are suitable for mixing chemicals when filling a tank. The spot sprayers feature threaded inserts on the bottom of the tank for mounting purposes, on one side for wand/gun placement and on the top for a 12 volt pump. Please refer to page 9 for steel supports.



150 Gallon x 32" Applicator Tank



200 Gallon by 32" Applicator Tank



15 Gallon (24"D) Inductor Tank in Stand
(Stand not included with tank. See page 9 for stands.)



5 Gallon Total Drain Tank



14 and 25 Gallon Spot Sprayer Tank

Applicator Tanks

Gallon Capacity	Diameter	Overall Height	Length	Fill Opening	Outlet/Drain Specification	Premium Weight Part No. White
20	15"	18"	31"	5"	3/4"	61737
30	23"	26"	21"	5"	3/4"	41799
55	23"	27"	34"	5"	3/4"	45193
85	23"	26"	52"	5"	3/4"	45105
100	24"	28"	57"	8"	3/4"	60204
110	30"	34"	41"	8"	1 1/4" & 1 1/4"	45053
150	30"	33"	58"	8"	1 1/4" & 1 1/4"	40648
150	32"	35"	46"	8"	1 1/4" & 1 1/4"	45117
200	32"	35"	62"	8"	1 1/4" & 1 1/4"	45059
200	38"	42"	47"	8"	1 1/4" & 1 1/4"	45061
300	38"	41"	68"	8"	1 1/4" & 1 1/4"	40135
400	42"	45"	74"	8"	1 1/4" & 1 1/4"	40137
500	48"	51"	75"	8"	1 1/4" & 1 1/4"	40274
150 Slim Line	28"	41"	50"	8"	1 1/4" & 1 1/4"	40777
200 Slim Line	24"	48"	61"	8"	1 1/4" & 1 1/4"	41305
200 Slim Line	31"	46"	48"	8"	1 1/4" & 1 1/4"	40780

☐ May ship UPS Oversize

Inductor Tanks

Gallon Capacity	Diameter	Overall Height	Fill Opening	Outlet/Drain Specification	Premium Weight Part No. White
15	19"	23"	8"	2"	60214
15	24"	21"	16"	2"	42064
30	24"	28"	16"	2"	42065
35	23"	29"	8"	2"	45098
60	31"	32"	16"	2"	62205
60	24"	42"	16"	2"	42066

☐ May ship UPS Oversize

Total Drain Tanks

Gallon Capacity	Width	Overall Height	Length	Fill Opening	Outlet/Drain Specification	Premium Weight Part No. White
5 square	11"	18"	11"	8"	1 1/4"	42321
10 square	13"	21"	13"	8"	1 1/4"	42351
12	14"	15"	18"	5"	3/4"	60521

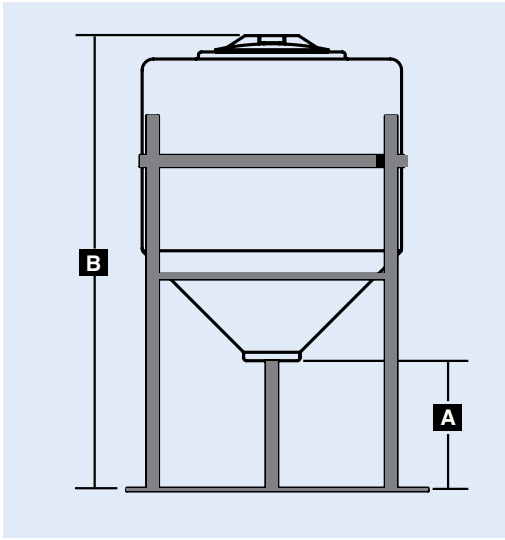
‡ May ship UPS Dimensional Weight

Spot Sprayer Tanks

Gallon Capacity	Width	Overall Height	Length	Fill Opening	Outlet/Drain Specification	Premium Weight Part No. White
14	14"	15"	31"	5"	—	45115
25	18"	18"	36"	5"	—	62080

‡ May ship UPS Dimensional Weight ☐ May ship UPS Oversize

PLEASE NOTE: Tank availability may vary according to manufacturing location. Please contact Norwesco Customer Service or your Norwesco distributor for specific details. Tank dimensions and capacities may vary slightly and are subject to change without notice.



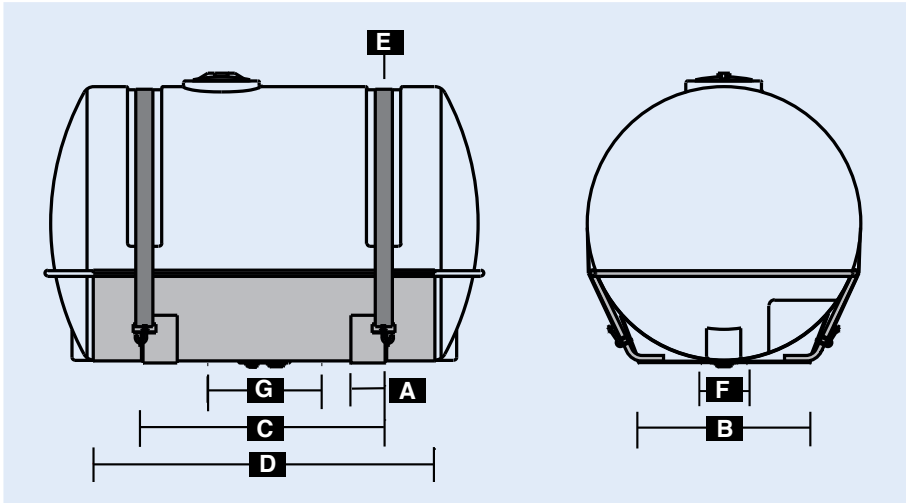
Inductor Stands and Applicator Saddle Assemblies

Designed to provide necessary support for the applicator/inductor tank during use. Norwesco saddles include polyester straps, buckles and bolts to secure tanks, and inductor stands are supplied with all necessary hardware.

Inductor Tank Stands (See dimensional drawing at left.)

Tank Size (Gallon)	Tank Part No.	A	B	Part No.
15 × 19"D ‡	60214	15½"	38"	60313
15 × 24"D ‡	42064	13½"	36"	63397
30 × 24"D ‡	42065	13½"	43"	63397
35 × 23"D ‡	45098	15"	44"	65517
60 × 31"D ‡	62205	14½"	47"	62204
60 × 24"D ‡	42066	13¼"	56"	63397

‡ May ship UPS Oversize



Replacement bands and hardware are available. Please contact Norwesco Customer Service for details.

Applicator Tank Saddle Assemblies (See dimensional drawings above.)

Tank Size (Gallon)	Tank Part No.	A	B	C	D	E	F	G	Part No.
30 ‡	41799	3"	19"	13½"	13½"	2" x 54"	8"	7¾"	60321
55 ‡	45193	6"	18⅞"	24"	24"	2" x 48"	—	12"	60303
85 ‡	45105	6"	18⅞"	24"	24"	2" x 48"	—	12"	60303
110 ‡	45053	12"	23¾"	28¾"	34¾"	2" x 72"	—	10¾"	60315
150-30" ‡	40648	12"	23¾"	28¾"	34¾"	2" x 72"	—	10¾"	60315
150-32" ‡	45117	12"	23¾"	28¾"	34¾"	2" x 72"	—	10¾"	60315
200-32"	45059	6"	24⅞"	36"	60"	2" x 96"	8"	13¼"	63019
200-38"	45061	6"	24¾"	34"	42"	2" x 96"	—	13¼"	63020
300-38"	40135	6"	24¾"	34"	60"	3" x 96"	8"	12"	63021
400-42"	40137	6"	30⅞"	42½"	60"	3" x 96"	8"	12"	63022
500-48"	40274	6"	30⅞"	42½"	60"	3" x 132"	8"	12"	63023

‡ May ship UPS Dimensional Weight

PLEASE NOTE: Tank availability may vary according to manufacturing location. Please contact Norwesco Customer Service or your Norwesco distributor for specific details. Tank dimensions and capacities may vary slightly and are subject to change without notice.



Black or Dark Green Water Tanks

Our water tanks are manufactured using resins that meet FDA specifications to ensure safe storage of potable water. The black or green color limits light penetration, which reduces the growth of waterborne algae. These tanks are rated at 8 pounds per gallon, which means that they are for WATER STORAGE ONLY! They should not be used for chemicals, fertilizers or any other product. Where applicable, the tanks will carry the NSF approval. Please contact your distributor for more specific information regarding NSF approval.

Gallon Capacity	Diameter	Overall Height	Fill Opening	Bottom Fitting	Top Fitting
305	46"	50"	16"	2"	1½"
550	67"	44"	16"	2"	1½"
1000	64"	80"	16"	2"	1½"
1100	87"	53"	16"	2"	1½"
1350	71"	88"	16"	2"	1½"
1500	95"	58"	16"	2"	1½"
1550	87"	67"	16"	2"	1½"
2500	95"	91"	16"	2"	1½"
2500	102"	79"	16"	2"	1½"
3000	95"	109"	16"	2"	1½"
3000	102"	93"	16"	2"	1½"
5000	102"	152"	16"	2"	1½"
5000 Peanut Can	119"	112"	16"	2"	1½"
5000 Tuna Can	141"	86"	16"	2"	1½"
10,000 *	141"	160"	16"	2"	–

Please refer to www.norwesco.com for part numbers and tank availability locations.

*Includes one bottom fitting only.
Standard Fittings: Bottom Fitting—One 2" Part No. 60405; Top Fitting—One 1½" Part No. 60124

Specialty Water Tanks



2400 Gallon Horizontal Box Tank

Horizontal Box Tank

The low profile design of this tank makes it ideal for use on trailers or in the back of a truck. The slosh reduction ribs provide excellent structural support. It can also be used as a stationary water storage tank.

Gallon Capacity	Width	Overall Height	Length	Fill Opening	Outlet/Drain Specification	Premium Weight Part No. White
2400	90"	53"	150"	16"	2"	40912



1250 and 1500 Gallon Low Profile Tank

Low Profile Water Tank

The 1250 and 1500 gallon low profile tanks may be used for storage or transport. They are an excellent choice when height limitations are a factor and are the perfect height for putting under your cottage or cabin.

Gallon Capacity	Width	Overall Height	Length	Fill Opening	Outlet/Drain Specification	Premium Weight Part No.
1250	81"	38"	130"	16"	2"	40756
1500	81"	44"	130"	16"	2"	41392

PLEASE NOTE: Tank availability may vary according to manufacturing location. Please contact Norwesco Customer Service or your Norwesco distributor for specific details.
Tank dimensions and capacities may vary slightly and are subject to change without notice.

Free Standing Water Tank & Water Tank With Frame

These tanks have been specifically designed with residential and commercial applications in mind. The dimensions of the 250, 300, 375 or 400 gallon allow it to fit through a conventional doorway. The design of the freestanding/self-supporting tanks eliminate the need for a steel support frame. The 375 comes standard with a steel support frame.



300 and 400 Gallon Free Standing Tank

375 Gallon Free Standing Water Tank with Frame

Free Standing Water Tank

Gallon Capacity	Width	Overall Height	Length	Fill Opening	Outlet/Drain Specification	Premium Weight Part No. White
250	29"	40"	62"	16"	1¼"	42337
300	29"	48"	62"	16"	1¼"	41869
400	29"	65"	62"	16"	1¼"	41247

Water Tank With Frame

Gallon Capacity	Width	Overall Height	Length	Fill Opening	Outlet/Drain Specification	Premium Weight Part No. White
375	30"	61"	62"	16"	1¼"	40480

Containment Basins/Tanks

Be kind to the environment and limit your liability by using a Norwesco polyethylene containment tank. Federal, state and local agencies are enforcing stringent rules and regulations regarding spills, leaks and overflows from primary containment tanks. These spills can be hazardous and costly and with that in mind, we have designed our containment basins and tanks to meet your containment needs. Our containment basins and tanks are impact and corrosion resistant and are molded as a one-piece, seamless unit. The 250, 500 and 1300 gallon sizes are "basin style"; the 1350 is an open top tank and the 2800 "Tank In A Tank" is molded with a dome that can be cut off to enable it to be used as a containment tank. Required containment capacity may vary depending on application and location.

Gallon Capacity	Width/Diameter	Overall Height	Length	Fill Opening	Premium Weight Part No.	Color
250	68"	11"	92"	—	42114	Black
500	80"	19"	92"	—	42051	Black
1300	97"	22"	175"	—	42195	Black
1350	87" Diameter	53"	—	—	42052	White
2800*	102" Diameter	104"	—	16"	42222	White

*Tank In A Tank.



250 Gallon Containment Basin

1300 Gallon Containment Basin

PLEASE NOTE: Tank availability may vary according to manufacturing location. Please contact Norwesco Customer Service or your Norwesco distributor for specific details. Tank dimensions and capacities may vary slightly and are subject to change without notice.



500 Gallon Cone Bottom Tank with Polyethylene Stand

1600 Gallon Cone Bottom Tank with Polyethylene Stand

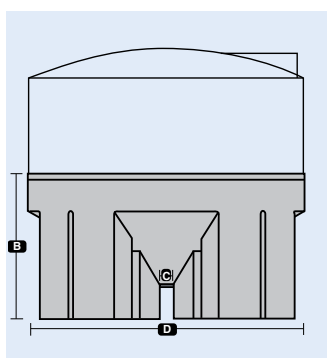
3000 Gallon Cone Bottom Tank with Heavy Duty Steel Stand

Cone Bottom Tanks

Norwesco offers a full range of cone bottom tanks designed for a variety of applications. The conical bottoms enable quick and complete drainage. As with all Norwesco tanks, the cone bottom tanks are molded of rugged, high density polyethylene and are both impact and chemical resistant. Please refer below for polyethylene or steel stands.

Gallon Capacity	Diameter	Overall Height	Slope	Fill Opening	Outlet/Drain Specification	Premium Weight Part No. White	Heavy Weight Part No. Blue
175 w/stand*	43"	49"/9"†	30°	16"	2"	60113	—
300 w/stand*	49"	61"/9"†	30°	16"	2"	62343	—
310 w/stand*	43"	72"/9"†	30°	8"	2"	62441	—
500 w/stand*	49"	87"/9"†	30°	16"	2"	40289	—
750	72"	56"	20°	16"	2"	40811	—
750 w/stand*	73"	67"/11"†	20°	16"	2"	40809	—
1050	72"	75"	20°	16"	2"	40356	—
1050 w/stand*	73"	86"/11"†	20°	16"	2"	40359	—
1600	88"	84"	30°	16"	2"	40817	40819
1600 w/stand*	89"	96"/11"†	30°	16"	2"	40813	40815
2500	95"	105"	30°	16"	2"	40066	40129
2500 w/stand*	96"	116"/10"†	30°	16"	2"	40672	40674
3000	95"	123"	30°	16"	2"	40170	40172
3000 w/stand*	96"	134"/10"†	30°	16"	2"	40797	40799
3000 15° slope**	91"	120"	15°	16"	3"/2"	45141	—
5500	119"	148"	30°	16"	3"/2"	40549	40316
6000	102"	195"	15°	16"	3"/2"	40931	40933
7500	141"	149"	30°	16"	3"/2"	40551	40409

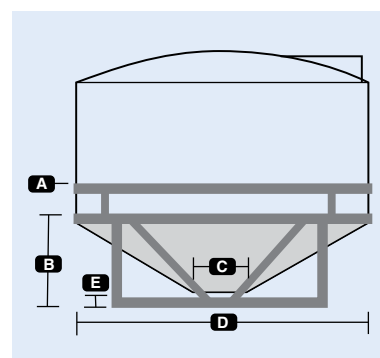
*Polyethylene stand **Stand not available for this tank †Distance from bottom of cone to ground



Polyethylene Cone Bottom Stands

Maintenance free, light-weight Norwesco polyethylene stands offer unequaled corrosion resistance.

Tank Size (Gallon)	A	B	C	D
175	—	31½"	8"	43"
300	—	32"	8"	49"
310	—	31½"	8"	43"
500	—	32"	8"	49"
750	—	34"	10"	73"
1050	—	34"	10"	73"
1600	—	46"	10"	89"
2500/3000 (30°)	—	47"	10"	96"



Heavy Duty Steel Cone Bottom Stands

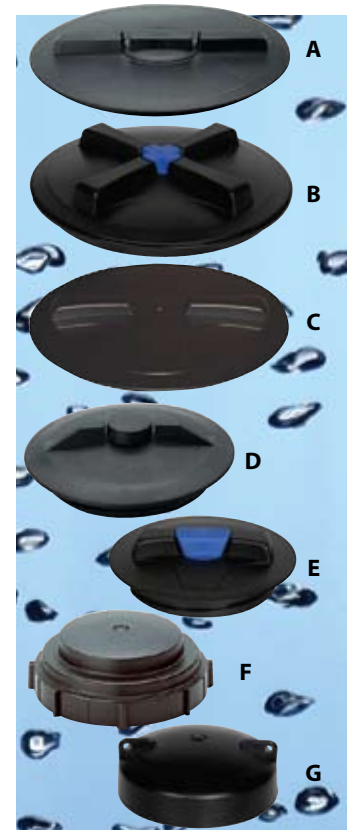
Norwesco heavy duty cone bottom stands are manufactured from structural steel and offer a full dish for uniform support. An optional top band is available for the 2500/3000 steel stand when additional support is needed.

Tank Size (Gallon)	A	B	C	D	E	Part No.
2500/3000 (30°)	—	36"	11"	96"	11"	60059
5500	—	45"	11"	119"	12½"	60358
6000	—	25"	13"	102"	12⅛"	62473
7500	—	49"	11"	140"	10¾"	61860
2500/3000 (30°)	Optional Top Band Assembly	—	—	—	—	60359

PLEASE NOTE: Tank availability may vary according to manufacturing location. Please contact Norwesco Customer Service or your Norwesco distributor for specific details. Tank dimensions and capacities may vary slightly and are subject to change without notice.

High Density Polyethylene Lids

Description	Item Code	Part No.
16" Lid and ring with 4" center lid/air vent		60038
16" Lid with 4" center lid/air vent	A	60011
16" Lid and ring with blue snap-in vent	B	63485
16" Ring only		60012
16" Lid, ventless with ring		60367
16" Lid, ventless	C	60365
Ethafoam gasket for 16" non-hinged lid		62941
4" Lid (air vent assembly for 16" lid (60038 and 60011))		60019
Blue snap-in vent for 16" lid (63485)		63539
8" Lid, ring and air vent		60032
8" Lid with air vent	D	60002
8" Ring only (for 60002 lid)		60003
Snap on air vent for 8" lid only (60002)		61727
8" Lid with blue snap-in vent	E	63480
Blue snap-in vent for 8" lid (63480)		63482
5" Lid with ball check air vent (for tanks manufactured prior to 2/1/00)	F	60322
5" Lid with ball check air vent (for tanks manufactured after 2/1/00)	G	63484
5" Lid with 2" FPT (does not include vent cap)		63264
EPDM gasket for 5" lid, 60322, 63264 or 63484		60366
2" MPT vent cap with poly screen		63266
18" lanyard for 8" lid and 16" non-hinged lid (tethers lid to tank)		62531
Stainless steel screw for 8" and 16" rings		60081
Strainer basket for 16" fill-opening (7" depth)		67374



Hinged Lid

This lid is manufactured from a co-polymer material for strength, durability and excellent chemical resistance. Our unique locking tab allows you to easily slip a padlock through it and secure your lid from theft or spills. The lid is interchangeable with a standard 16" lid and ring assembly if you choose to replace your existing lid.

- Easy open/close – opens a full 180 degrees
- Comes complete with a baffle vent assembly, allowing for adequate venting when bottom filling your tank.
- Unique locking tab
- All parts of lid may be ordered as repair parts

Description	Part No.
Complete lid assembly	62532

Hinged Lid Repair Parts

Description	Part No.
16" hinged lid with vent assembly, without ring	62826
16" hinged ventless lid, with ring	63390
Vent assembly	62827
Ring assembly	62828
Hinge assembly	62829
EPDM O-ring for lid	62830
Neoprene O-ring for ring	62831



Polyethylene Tank Repair Kits

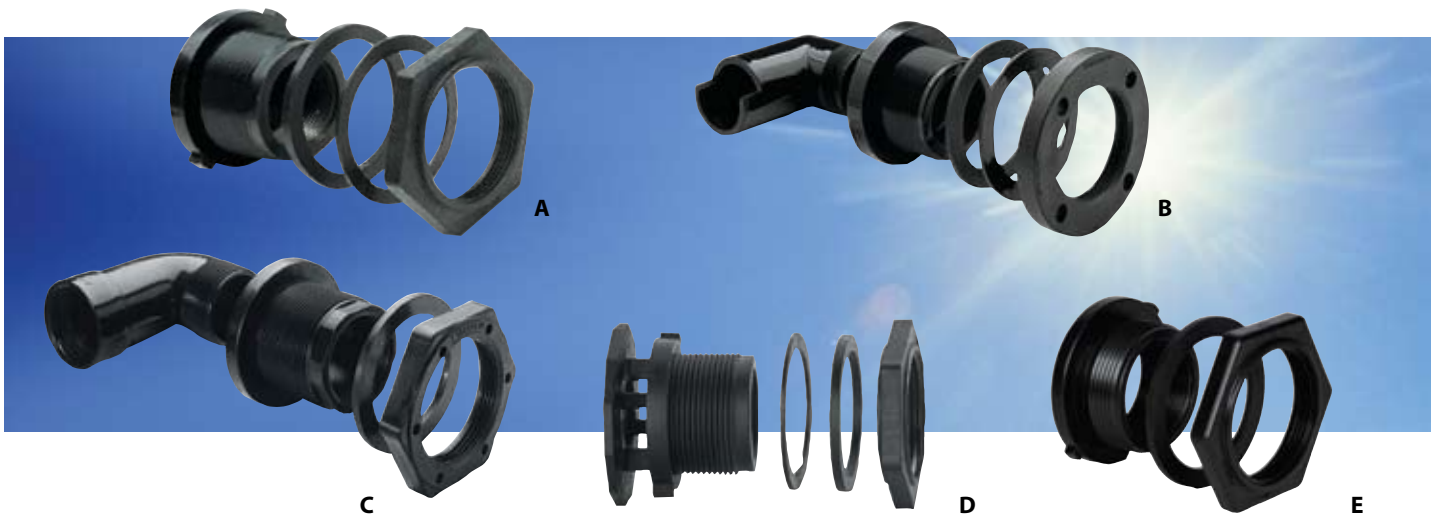
The tank repair kit (welding gun and rod) includes a specially formulated welding wire containing co-polymers and adhesives. Wire may be used to effectively repair linear polyethylene. Easy to use and requires only 110 volt power. The poly patch kit is ideal for repairing pinholes, hairline cracks and holes up to 1/2" in diameter. For best results, surface to be repaired should be above 32° F. The kit consists of epoxy, a small brush to apply the epoxy, a small piece of sandpaper to "roughen" the area to be patched, a piece of mastic to temporarily fill the hole/crack and a piece of fiberglass.

Description	Part No.
Poly welding gun & rod	60221
Poly welding rod 30'	61879
Poly patch kit	67412

Poly Welding Gun



PLEASE NOTE: Tank availability may vary according to manufacturing location. Please contact Norwesco Customer Service or your Norwesco distributor for specific details. Tank dimensions and capacities may vary slightly and are subject to change without notice.



Polypropylene Bulkhead Fittings / EPDM Or Viton Gaskets

Norwesco's polypropylene fittings come standard with an EPDM gasket. Viton gaskets are available as an option when EPDM may not be suitable for your application. The 2" stainless steel bulkhead fitting comes standard without a gasket.

Description	Hole Size Required in Tank for Installation	Part No.	Item Code
½" Heavy duty double threaded polypropylene fitting	1 7/16"	62834	A
¾" Double threaded polypropylene fitting	1 7/16"	60401	A
EPDM gasket for ½" and ¾" (62834 and 60401)		60402	
Type B Viton gasket for ½" and ¾" (62834 and 60401)		60360	
¾" Heavy duty double threaded polypropylene fitting	1 5/8"	62798	A
EPDM gasket ¾" (62798)		62799	
Type B Viton gasket for ¾" (62798)		62800	
1" Double threaded polypropylene fitting	2 ¼"	60427	A
1 ¼" Double threaded polypropylene fitting	2 ¼"	60403	A
1 ¼" Anti-vortex polypropylene fitting	2 ¼"	63065	D
EPDM gasket for 1" and 1 ¼" (60427, 60403 and 63065)		60404	
Type B Viton gasket for 1" and 1 ¼" (60427, 60403 and 63065)		60361	
Anti-vortex adapter for 1 ¼" (60403)		62398	
1 ½" Double threaded polypropylene fitting	3"	60124	A
Siphon tube, 1 ½" x 12" long		63279	
2" Double threaded polypropylene fitting	3"	60405	A
2" Double threaded 316 stainless steel fitting, less gasket	3"	61767	
EPDM gasket for 1 ½" and 2" (60124, 60405, 63481 and 61767)		60406	
Type B Viton gasket for 1 ½" and 2" (60124, 60405, 63481 and 61767)		60523	
2" Standard duty double threaded polypropylene fitting	3"	63481	E
2" Heavy duty double threaded polypropylene fitting with siphon tube	3 ¼"	60337	B
EPDM gasket for 2" (60337)		60336	
Type B Viton gasket for 2" (60337)		60008	
Siphon tube, 2" short		60335	
Siphon tube, 2" x 12" long		63262	
2" MPT vent cap with poly screen		63266	
2" MPT vent cap, anti-vortex, without screen		63316	
Anti-vortex adapter for 2" bulkhead fitting		62399	
2" Polypropylene dust plug		60021	
3" Double threaded polypropylene fitting (hex nut as shown in photo C)	4 ½"	62299	
3" Double threaded polypropylene fitting with 2" reducer and siphon tube	4 ½"	60339	C
EPDM gasket for 3" (62299 and 60339)		60331	
Type B Viton gasket for 3" (62299 and 60339)		60351	
2" Polypropylene reducer for 3"		60330	
Siphon tube, 3" short		60327	
Siphon tube, 3" x 12" long		63263	
4" Double threaded polypropylene fitting (hex nut as shown in photo C)	5 ¾"	62171	
EPDM gasket for 4" (62171)		62785	
Type B Viton gasket for 4" (62171)		62786	
Siphon tube for 4"		62714	

Bolted Fittings

Polypropylene Bolted Fittings / EPDM or Viton Gaskets (Require two gaskets.)

Bolted polypropylene fittings are equipped with 316 stainless steel bolts and come standard with EPDM gaskets. Viton gaskets are available as an option for the fittings.

Description	Part No.	Item Code
¾" Polypropylene bolted fitting with ss bolts and EPDM gaskets	60502	A
1" Polypropylene bolted fitting with ss bolts and EPDM gaskets	60505	A
EPDM gasket for ¾" and 1"	60498	
Type B Viton gasket for ¾" and 1"	60355	
1½" Polypropylene bolted fitting with ss bolts and EPDM gaskets	60513	A
2" Polypropylene bolted fitting with ss bolts and EPDM gaskets	60516	A
EPDM gasket for 1½" and 2"	60497	
Type B Viton gasket for 1½" and 2"	60356	
3" Polypropylene bolted fitting with ss bolts and EPDM gaskets	62471	
EPDM gasket for 3"	62048	
Type B Viton gasket for 3"	60602	



Stainless Steel Double Threaded Bolted Fittings

Bolts are threaded into the back plate of the fitting so there are no welds or bolt holes that can be potential points of leakage. These fittings come standard without a gasket (with the exception of the 4") and require a single gasket that is installed on the inside of the tank. Available gaskets are cross-linked polyethylene, EPDM or Viton (4" fitting comes standard with a cross-linked polyethylene gasket).

Description	Part No.	Item Code
½" 316 Stainless steel double threaded bolted fitting less gasket	63216	B
¾" 316 Stainless steel double threaded bolted fitting less gasket	63035	B
1" 316 Stainless steel double threaded bolted fitting less gasket	62948	B
EPDM gasket for ½", ¾" & 1" (1 required)	63205	
Type B Viton gasket for ½", ¾" & 1" (1 required)	63224	
Cross-linked polyethylene gasket for ½", ¾" & 1" (1 required)	62950	
1¼" 316 Stainless steel double threaded bolted fitting less gasket	63036	B
Cross-linked polyethylene gasket for 1¼" (1 required)	63041	
1½" 316 Stainless steel double threaded bolted fitting less gasket	63037	B
EPDM gasket for 1¼" and 1½" (1 required)	63426	
Cross-linked polyethylene gasket for 1½" (1 required)	63042	
2" 316 Stainless steel double threaded bolted fitting less gasket	63038	B
EPDM gasket for 2" (1 required)	63206	
Type B Viton gasket for 1¼", 1½" and 2" (1 required)	63225	
Cross-linked polyethylene gasket for 2" (1 required)	62848	
3" 316 Stainless steel double threaded bolted fitting less gasket	63039	C
EPDM gasket for 3" (1 required)	63223	
Type B Viton gasket for 3" (1 required)	63226	
Cross-linked polyethylene gasket for 3" (1 required)	63043	
4" 316 Stainless steel 8-bolt double threaded bolted fitting with gasket	63069	
Cross-linked polyethylene gasket for 4" (1 required)	63070	



Stainless Steel Single Threaded Bolted Fittings

Description	Part No.
2" 316 Stainless steel single threaded bolted fitting less gasket	62847
EPDM gasket for 1¼", 1½" and 2" (1 required)	63206
Type B Viton gasket for 1¼", 1½" and 2" (1 required)	63225
Cross-linked polyethylene gasket for 2" (1 required)	62848
3" 316 Stainless steel single threaded bolted fitting, anti-vortex, less gasket	63233
EPDM gasket for 3" (1 required)	63223
Type B Viton gasket for 3" (1 required)	63226
Cross-linked polyethylene gasket for 3" (1 required)	63043





Manufacturing and Distribution

- | | | |
|------------------------------|---------------------------------|-----------------------------------|
| B. St. Bonifacius, Minnesota | H. Washougal, Washington | N. Winnipeg, Manitoba-Canada |
| C. Lancaster, Ohio | I. Sheldon, Iowa | O. Saskatoon, Saskatchewan-Canada |
| D. Griffin, Georgia | J. Washington Court House, Ohio | T. Fairfield, Texas |
| E. Shawnee, Oklahoma | K. Lakeland, Florida | X. Albertville, Alabama |
| F. Tooele, Utah | L. Hanford, California | |
| G. Owego, New York | M. Edmonton, Alberta-Canada | |

Tank dimensions and capacities may vary slightly and are subject to change without notice.

Warranty

Norwesco offers a three year warranty from date of manufacture on all premium weight tanks and a five year warranty on all heavy weight tanks. Should a defect appear within the warranty period Norwesco will supply a new, equivalent tank in replacement thereof. Norwesco's liability is limited to the value of the tank itself and specifically excludes the cost of installation and/or removal or consequential damages. Please contact your chemical supplier or Norwesco Customer Service for chemical resistance information.



Norwesco, INC.

4365 Steiner Street
 P.O. Box 439
 St. Bonifacius, MN 55375-0439
 Tel (800) 328-3420
 Fax (800) 874-2371

www.norwesco.com