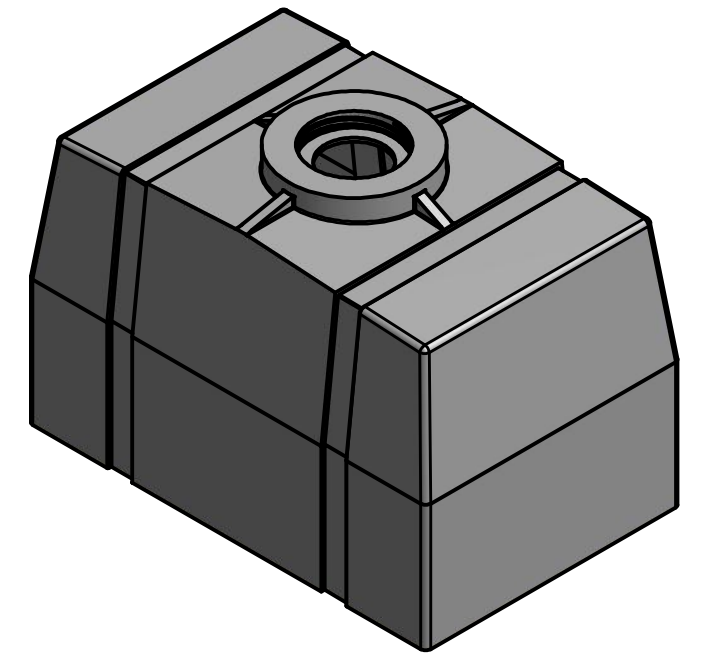
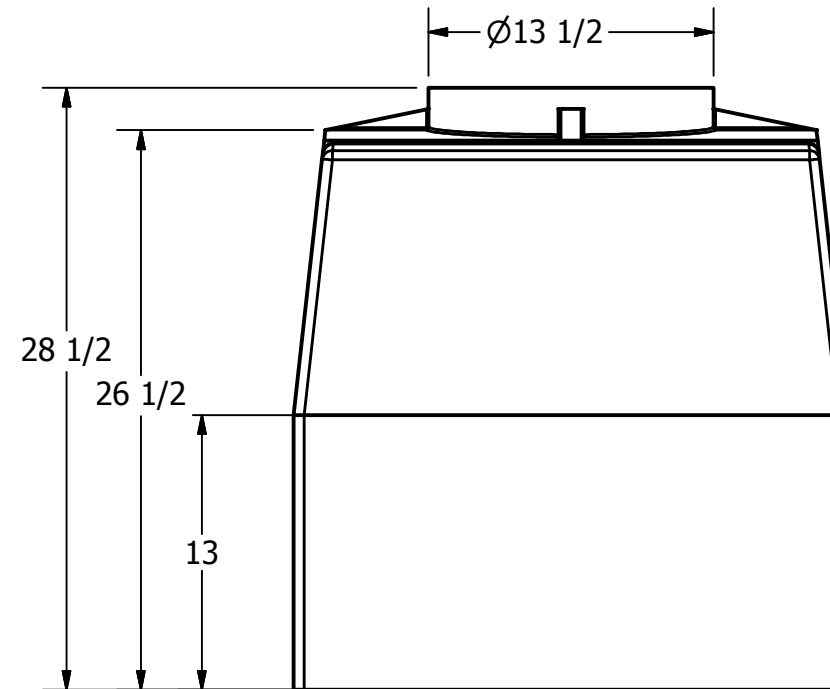
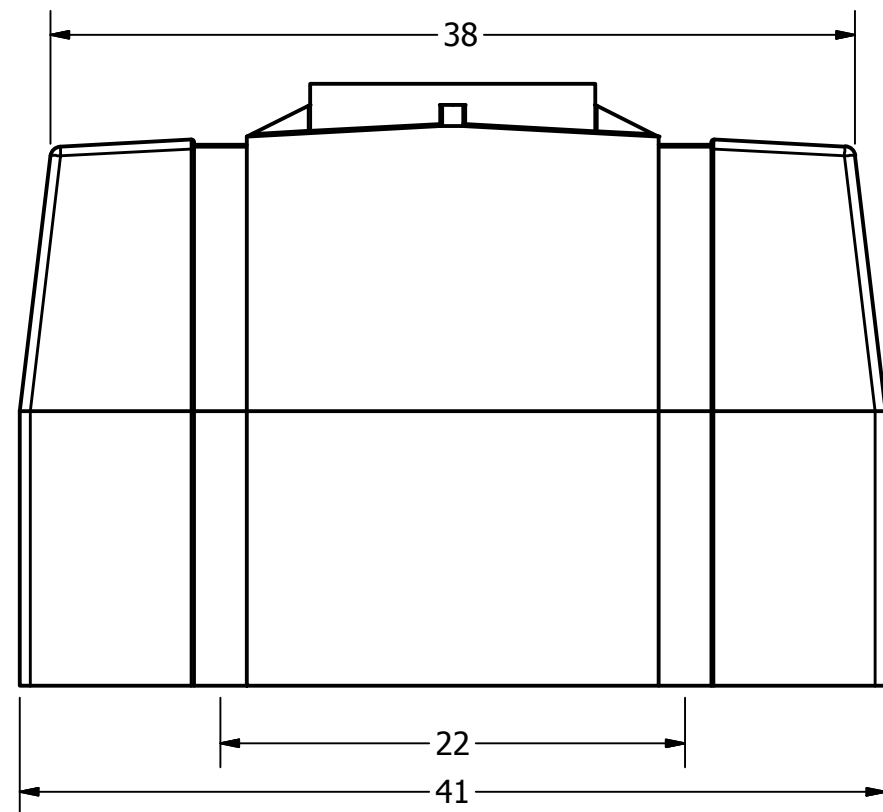



SECTION A-A



DRAWN	7/10/2014	 NORWESCO, INC. SAINT BONIFACIUS, MN		
Liv Oltean				
CHECKED		TITLE		
QA		100 GALLON LOAF TANK		
MFG				
APPROVED				
		SIZE	DWG NO	REV
		B		A
		SCALE: 1/16	SHEET 1 OF 1	