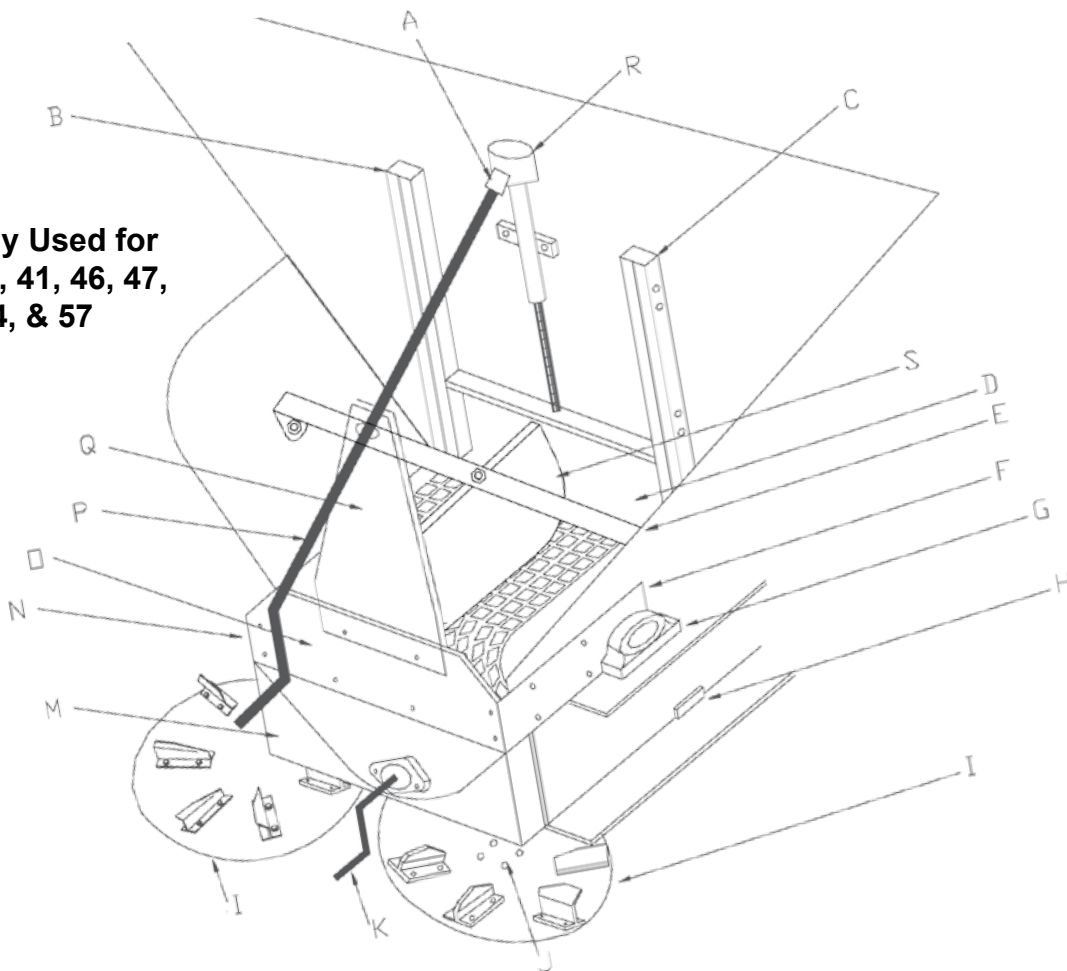


# DRY SPREADER REAR PARTS

COMMON NCI PARTS

**Commonly Used for  
Models 40, 41, 46, 47,  
49, 54, & 57**



## Rear Parts for Chain Conveyor or Belt-Over-Chain Conveyor

Ref No.	16"	24"	24" BOC	Part No.	Description	Ref No.	16"	24"	24" BOC	Part No.	Description
A	1	1	1	JA-BB100002801A00 JA-SSBB100002801A	Gate Handle Universal Extension, MS Gate Handle Universal Extension, SS	M	1	-	-	NC-025008AAA	Chute Assy w/ Coupling, 16"
B	1	1	1	NC-025010ALH	Gate Slide, LH	M	-	1	1	NC-025008AO	Chute Assy w/ Coupling, 24"
C	1	1	1	NC-025010ARH	Gate Slide, RH	M1	1	1	1	CN-0*5008AWA	Chute Coupling w/ Grease Fitting, * 1 = Mild, 2= Stainless Steel
D	1	-	-	NC-025010B	Metering Gate, 16"	N	1	1		NC-025008KLH	Chute, Side Bracket, LH
D	-	1	-	NC-025010C	Metering Gate, 24"	N	-	-	1	NC-025008BRLH	Chute, Side Bracket, LH, BOC
D	-	-	1	NC-025010AM	Metering Gate, 24" BOC	O	1	-	-	NC-025008A	Chute Bearing Bracket, 16"
E	-	-	-	"Conveyor Parts, 16" & 24"" on page 35 "Conveyor w/ controller, 16 & 24"" on page 36		O	-	1	-	NC-025008B	Chute Bearing Bracket, 24"
F	1	1	-	NC-025008KRH	Chute Side Bracket, RH	O	-	-	1	NC-025008BQ	Chute Bearing Bracket, BOC
F	-	-	1	NC-025008BRRH	Chute, Side Bracket, RH, BOC	P	1	1	1	NC-025010T	Gate Handle Extension
G	2	-	-	BR-PB112	Pillow Block Bearing, 1 1/2"	P	1	1	1	NC-025010AL	Gate Handle Extension, Model 47 NC Spreadit
G	-	2	-	BR-PB200	Pillow Block Bearing, 2"	Q	1	1	1	NC-025011A	Gate Handle Extension Bracket
G	-	-	2	BR-PB200HD	Pillow Block Bearing, 2", HD	R	1	1	1	JA-620198	Gate Jack w/ Stubs,SS
H	1	1	1	SM-N147	Chute, Scale, Weld On	S	1	1	1	NC-025008CF	Chute Divider & Brace Assy Model 54 Only
I, J	-	-	-	"Spinner Dishes & Blades" on page 30							
K	1	1	1	NC-0*5008AP	Chute Screw w/ Bearing * 1 = Mild, 2= Stainless Steel						

<b>NCI Serial Number:</b> _____ (Serial Number is located near left hand tire when standing at rear of unit.)			
Serial Number aids NCI Parts Department to retrieve information about how unit was manufactured.			
<b>Please have these measurements when ordering parts:</b>			
<b>Rear Roller</b>	Shaft Diameter _____	Length _____	# of Teeth _____
Bed Chain	Width _____	Pin: Straight or Clinched	Length of Spreader Bed _____
Drive for Shaft	Gear Box _____	Ground Wheel Drive _____	
<b>Sprockets</b>	Bore Size _____	Teeth _____	Key _____
<b>Roller Chain</b>	Size _____	Length _____	Connectors _____

## Roller and Hydraulic Parts

Part No.	Description	Part No.	Description
<b>Rear Rollers (RR) for Clinched Chains</b>		<b>Front Rollers (FR)</b>	
CN-015005CU	RR, 16", 1 1/2" X 26 1/2", Pull Type, 7 Spkt	NC-015005AA*	FR, 8" Split Straight Chain, 1 1/2" x 23", 2 Spkt
CN-015005CR	RR, 16", 1 1/2" X 27", Truck, 7 Spkt	NC-015005EE*	FR, 12" Split Straight Chain, 1 1/2" x 31", 2 Spkt
CN-015005DB	RR, 16", 2" x 28", Truck, 7 Spkt	CN-015005W	FR, 16" 1 1/2" x 22", 1" Ends, No Sprockets
CN-015005CO	RR, 24", 2" X 36", Truck, 11 Spkt	CN-015005R	FR, 16", 1 1/2" x 22", No Sprockets, Clinched/Straight
CN-015005DD	RR, 24", 2" X 36", Pull Type, 11 Spkt	CN-015005M	FR, 24", 1 1/2" x 31", No Sprockets, Clinched/Straight
<b>Rear Rollers (RR) for Straight Pin Chain</b>		NC-015005CH	FR, 24" Belt Over Chain, 1 1/2" x 31, 2 Spkt
NC-015005CC*	RR, 8" Split Straight Chain, 2" x 18 3/8", 4 Spkt	<b>Air Vent</b>	
NC-015005EF*	RR, 12" Split Straight Chain, 2" x 22 3/8", 4 Spkts	NC-MDAIRVEN-TASSY	Air Vent Kit for Mid-Tech
CN-015005V	RR, 16", 1 1/2" X 26 1/2", Pull Type, 9 Spkt	Order 1 of each: BN-AHSH5161 CL-0600 HO-CT38BPVC TP-HB038	Air Vent for Raven Needs Below: Allen Head Screw, 5/16" x 1" Clamp, 3/8" Hose, 3 Feet Needed Hose Barb, 3/8"
CN-015005S	RR, 16", 1 1/2" X 27", Truck, 9 Spkt	GB-301040	Pressure Relief Plug for Gear Box
CN-015005AT	RR, 16", 1 1/2" x 45", Model 49 PT Only, 9 Spkt	<b>Flow Control Aluminum Block - Pull Type Only</b>	
CN-015005T	RR, 16", 2" X 28", Truck, 9 Spkt	HH-84FSO0808	Hyd Fitting, 1/2" Male JIC, 1/2" O Ring (need 4)
CN-015005U	RR, 24", 2" X 36", Pull Type, 13 Spkt	HV-4LINEMANI-FOLD0	Flow Control Block
CN-015005CE	RR, 24", 2" x 36", Truck, 13 Spkt	HV-4LMANIFOLD-KNOB	Knob for Flow Control Block
<b>Rear Rollers (RR) for Heavy Duty Straight Pin Chain</b>			
NC-015005EK	RR Assy, 24", 2" x 36" Rawson, HD Reinforced Straight Chain, 13 Spkt		
NC-015005EN	RR Assy, 24", 2" x 36" HD Reinforced Straight Chain, 13 Spkt		
<b>Rear Roller (RR) for Belt Over Chain</b>			
NC-015005CI	RR, 24" BOC, 2" x 36", Truck, 2 Spkt		
<b>Rear Roller Cover Plate</b>			
PM-025005J	SS, Rear Roller Cover Plate, 8" Split Chain		
PM-025005EK	SS, Rear Roller Cover Plate, 12" Split Chain		
PM-025005A	SS, Rear Roller Cover Plate, 16" Straight		
PM-025005CW	SS, Rear Roller Cover Plate, 16" Clinched		
PM-025005B	SS, Rear Roller Cover Plate, 24" Straight		
PM-025005CN	SS, Rear Roller Cover Plate, 24", Clinched		

**When Ordering Rear Roller for Gear Box:**

- Rear Roller with 1 1/2" shaft is not machined and does not need a screw
- Rear Roller with 2" shaft is machined down to fit into the gear box. The end that goes into the gear box drilled and tapped to fit a screw BN-AHSH5161)

**When Ordering Rear Roller for Split Conveyor Chain:**

- Order 2 rear rollers and 2 front rollers

### General Knowledge:

- Spinner Dish Assemblies are blades mounted on dishes and do not contain spinner hubs
- Spinner Hubs found on *page 31*
- Dishes are slightly concave unless specified flat or special
- Right hand dishes rotate counter clockwise, require RH blades
- Left hand dishes rotate clockwise, require LH blades
- SS - 304 Stainless Steel, designated by 01 in part #
- MS - Mild Steel, designated by 02 in part #

### 24" Standard Universal:

- Dish - 24" diameter dish, SS - 10 gauge, MS - 3/16"
- Blades - six blades, 6" long, SS - 10 gauge, MS - 3/16"
- Universal dish requires LH or RH blades to make dish LH or RH

### 24" Heavy Duty Universal:

- Dishes manufactured of heavier gauges that stand up to lime spreading better.
- Dishes - 24" diameter, 3/16" thick SS or MS, 6 pair of holes
- Blades - six blades; 6" long, 1/4" thick SS or MS
- Placement of blades makes dish LH or RH

### 24" Extended Range: (requires higher RPM)

- Dishes and blades allow for spread patterns up to 80 feet
- Dishes -24" diameter, 3/16" thick, universal LH or RH
- Blades - four blades; 9" long, 1/4" thick, 3 bolts, adjustable
- Placement of blades makes dish LH or RH

### 28" & 30" Flat Dishes

- Flat Assemblies and dishes are not concave
- 28" & 30" flat dishes commonly used to spread litter & PLT
- Blades - six blades; 1/4" thick blades
- To use flat dishes, special requirements must be met
- Placement of blade makes dish LH or RH

## 28" Diameter - Models 30 & 31

## 30" Diameter - Models 30, 31, 47PLT, & 54PLT

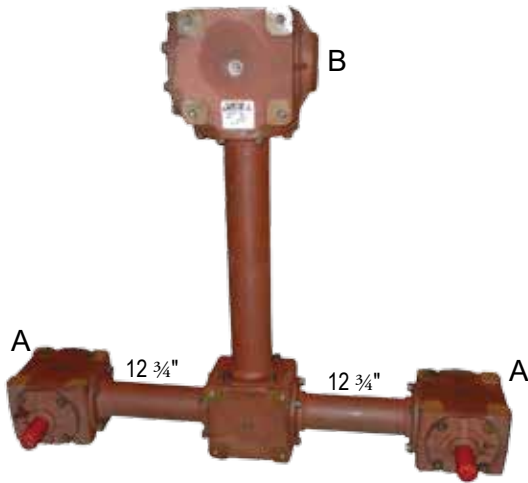
Part No.	Description	# of Blades
<b>28" Dish Assemblies/No Hub</b>		
NC-015006XRH	28" Flat Spinner Assy, MS, 1/4" Dish & Blade	6 RH
NC-015006XLH	28" Flat Spinner Assy, MS, 1/4" Dish & Blade	6 LH
<b>28" Dishes Only</b>		
PM-015006Y	28" Flat Spinner Dish, MS, 1/4" Universal	6
<b>Blades for 28" Dishes</b>		
NC-015007XRH	10 1/4" Spinner Blade, MS, 1/4", 3 Hole, Litter	6 RH
NC-015007XLH	10 1/4" Spinner Blade MS, 1/4", 3 Hole, Litter	6 LH
<b>30" Dish Assemblies/No Hub</b>		
NC-025006XRH	30" Flat Spinner Assy, SS, 1/4" Dish & (6) NC-025007URH	
NC-025006XLH	30" Flat Spinner Assy, SS, 1/4" Dish & (6) NC-025007ULH	
<b>30" Dishes Only</b>		
PM-025006S	30" Flat Spinner Dish, SS, 1/4" Universal	6
<b>Blades for 30" Dishes</b>		
NC-025007URH	11 1/8" Spinner Blade, SS, 1/4", Straight, RH	6 RH
NC-025007ULH	11 1/8" Spinner Blade, SS, 1/4", Straight, LH	6 LH
NC-025007ABRH	11 1/8" Spinner Blade, SS, 1/4", Top Angle, RH	6 RH
NC-025007ABLH	11 1/8" Spinner Blade, SS, 1/4", Top Angle, LH	6 LH
BN-SSHH5161	Bolt to Mount 1/4" Blade onto HD Dish	

## 24" Diameter

## Models 30, 31, 41, 44, 47, 49, 54, & 57

Part No.	Description	# of Blades
<b>24" Dish Assemblies/No Hub</b>		
NC-025006MRH	Spinner Dish Assy, SS, 10 Gauge Dish & Blades	6 RH
NC-015006MRH	Spinner Dish Assy, MS, 3/16" Dish & 3/16" Blades	6 RH
NC-025006MLH	Spinner Dish Assy, SS, 10 Gauge Dish & Blades	6 LH
NC-015006MLH	Spinner Dish Assy, MS, 3/16" Dish & 3/16" Blades	6 LH
NC-025006PRH	HD Spinner Dish Assy, SS, 3/16" Dish & 1/4" Blades	6 RH
NC-015006ORH	HD Spinner Dish Assy, MS, 3/16" Dish & 1/4" Blade	6 RH
NC-025006PLH	HD Spinner Dish Assy, SS, 3/16" Dish & 1/4" Blades	6 LH
NC-015006OLH	HD Spinner Dish Assy, MS, 3/16" Dish & 1/4" Blade	6 LH
NC-025006VRH	HD Spinner Dish Assy, SS, 3/16" Dish & 1/4" Blades, Extended Range	4 RH
NC-015006VRH	HD Spinner Dish Assy, MS, 3/16" Dish & 1/4" Blades, Extended Range	4 RH
NC-025006VLH	HD Spinner Dish Assy, SS, 3/16" Dish & 1/4" Blades, Extended Range	4 LH
NC-015006VLH	HD Spinner Dish Assy, MS, 3/16" Dish & 1/4" Blade, Extended Range	4 LH
<b>24" Dishes Only</b>		
NC-025006A	Std Spinner Dish, SS, 10 Gauge, Universal,	6
NC-015006A	Spinner Dish, MS, 3/16", Universal	6
NC-025006Q	HD Spinner Dish, SS, 3/16" Universal	6
NC-025006W	HD Spinner Dish, SS, 3/16" Extended Range, Adjustable, Universal	4
NC-015006W	HD Spinner Dish, MS, 3/16" Extended Range, Adjustable, Universal	4
<b>Blades for 24" Dishes</b>		
NC-025007KRH	Std Spinner Blades, SS, 10 Gauge, RH	6 RH
NC-015007KRH	Spinner Blade, MS, 3/16", RH	6 RH
NC-025007KLH	Std Spinner Blade, SS, 10 Gauge, LH	6 LH
NC-015007KLH	Spinner Blade, MS, 3/16", LH	6 LH
NC-025007NRH	HD Spinner Blade, SS, 1/4", RH	6 RH
NC-015007NRH	HD Spinner Blade, MS, 1/4", RH	6 RH
NC-025007NLH	HD Spinner Blade, SS, 1/4", LH	6 LH
NC-015007NLH	HD Spinner Blade, MS, 1/4", LH	6 LH
NC-025007WRH	Spinner Blade, SS, 1/4", Extended Range, RH	4 RH
NC-025007WLH	Spinner Blade, SS, 1/4", Extended Range, LH	4 LH
BN-SSHH5161	Bolt to Mount 1/4" Blade onto HD Dish	
BN-SSHH51634	Bolt to Mount 10 Gauge Blade onto Dish	
BN-SSHN516	Nut to Mount ALL Blades	

# QUAD GEAR BOX, SPINNER HUBS, MONITOR



## Quad Gear Box, 16" or 24" Chain

Ref No.	Qty	Part No.	Description
Unit	1	GB-920355	PT - NCI Quad Box
A	2	GB-882514	L & R Spinner Box - 1" Shaft
B	1	GB-000413	413 Box Complete
<b>Commonly Ordered with Ref A (GB-882514)</b>			
	1	KE-14112	1/4" Key
	1	NC-015006H	Spinner Hub - 1"
	4	GB-410076	Cap Screw
	1	GB-390005	Gasket, White, 0.015
	2	GB-350096	Gasket, Clear, 0.003



NC-015006J

NC-015006H

## Spinner Hubs

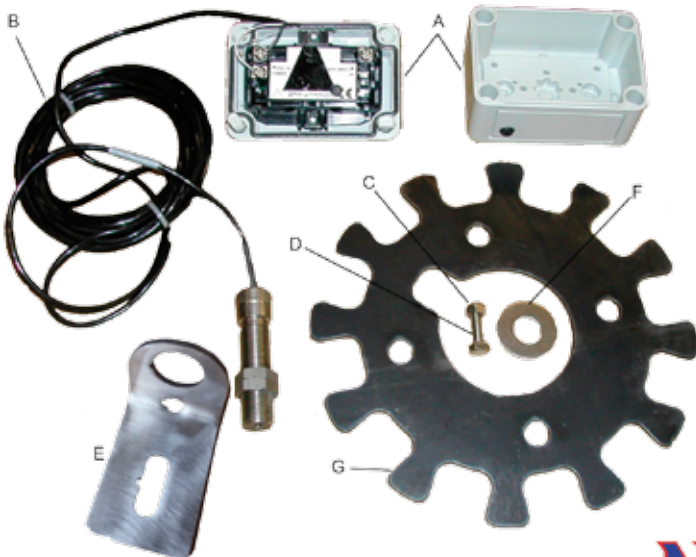
Qty.	Part No.	Description
2	NC-015006J	Spinner Hubs, w/ Seal, 1 1/4" Spinner Motors
2	NC-015006H	Spinner Hubs w/ Seal, 1", Spinner Motors
4	BN-SSHH516114	Bolt, Stainless, 5/16" x 1 1/4"
4	BN-SSHN516	Nut, Stainless, 5/16"
1	BN-SSSHSS381	Set Screw, Square Head 3/8" x 1"



## Spinner Speed Monitor

Ref No.	Qty	Part No.	Description
		NC-015103CKIT	NCI Spinner Speed Monitor Kit, V3, includes ref A-G
A1	1	MS-SSMMONITOR-RASSY	NCI Spinner Speed Assembly, Monitor (V3) with 1-3 ON, Casing and Fittings
A2	1	MS-SSMMONITOR-CASE	NCI Spinner Speed Case for Monitor V3 Only
A3	1	MS-SSMMONITORV3	NCI Spinner Speed Monitor V3 Only with 1-3 ON
B	1	MS-SSMSENSOR	NCI Spinner Speed Sensor Only
C	4	BN-SSHN516	Nut, 5/16" (Mount to Star)
D	4	BN-SSHH5161	Bolt, 5/16" x 1" (Mount to Star)
F	2	BN-SSFW58	Flat Washer, 5/8"
E	1	NC-025103B	NCI Tach Bracket (Bent 90)
G	1	PM-025103A	NCI Tach Star Counter
Bolts and Nuts to Mount on Spreader Sold Separately			
	4	BN-SSHH141	Bolt, 1/4" x 1" (Mount to Spreader)
	4	BN-SSFW14	Nut, 1/4" (Mount to Spreader)

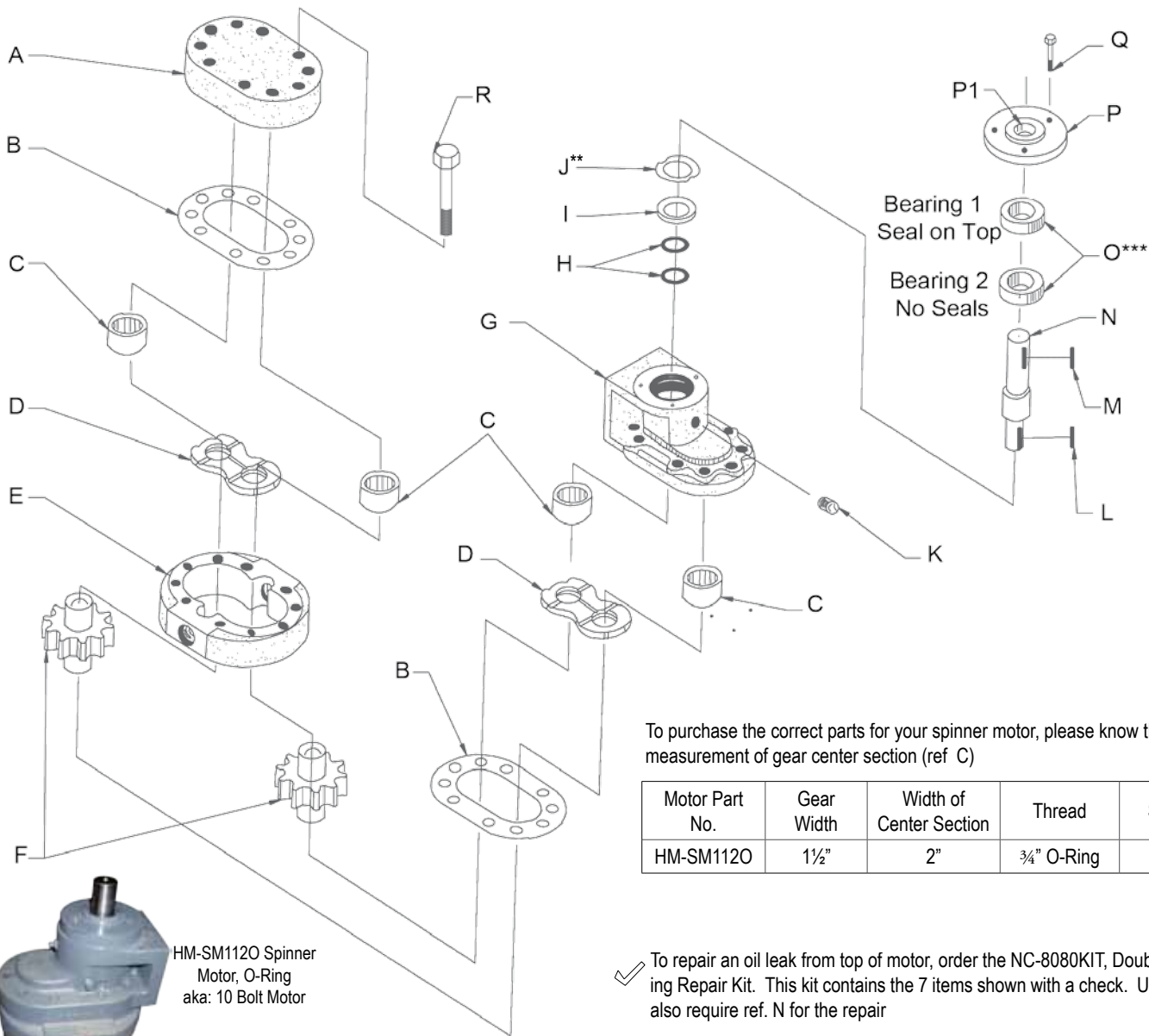
Units before manufactured before 2013, require upgrade to V3 Monitor and Case





# STANDARD SPINNER MOTORS, 1" SHAFT

COMMON NCI PARTS



To purchase the correct parts for your spinner motor, please know the measurement of gear center section (ref C)

Motor Part No.	Gear Width	Width of Center Section	Thread	Shaft
HM-SM1120	1½"	2"	¾" O-Ring	1"

✓ To repair an oil leak from top of motor, order the NC-8080KIT, Double Bearing Repair Kit. This kit contains the 7 items shown with a check. Units may also require ref. N for the repair

## 1" Shaft Spinner Motors for Models 41, 46, 47, 49, 54, 57

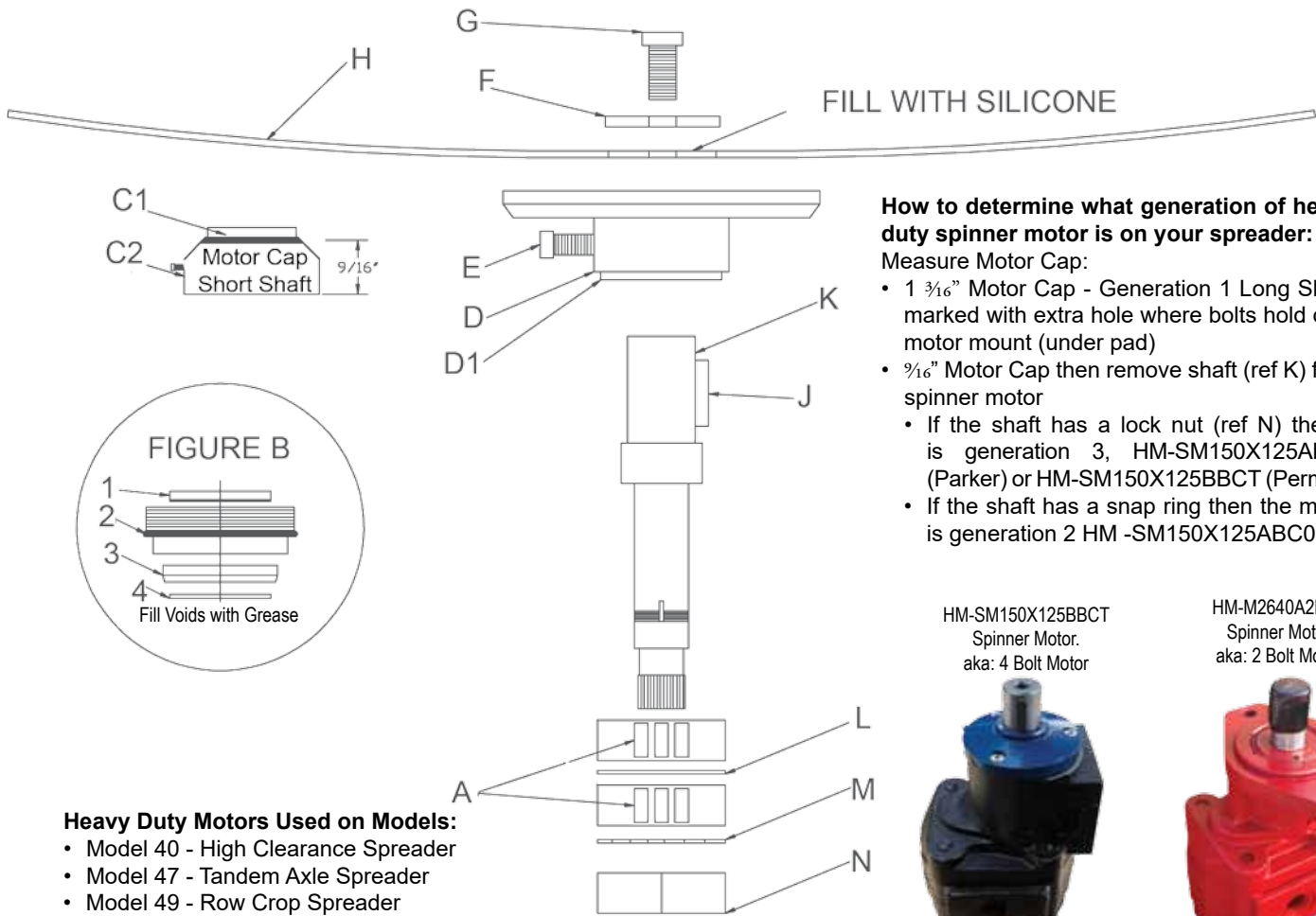
Ref	Qty 1½"	Part No.	Description	Ref	Qty 1½"	Part No.	Description
A	1	HM-J0592	Cover, End, Port	K	1	UJ-8000	Grease Fitting
B	2	HM-A1014	Gasket	✓ L	1	HM-X1020	Gear, Key
C	4	HM-J1032	Bearing, Gear	✓ M	1	HM-X1013	Shaft Key
D	2	HM-J1058	Thrust Plate	N	1	HM-M113513	Shaft
E	1	HM-I05771533	Center Section, 1½" w/ O-Ring	✓ O	2	HM-X6940	Bearing, Shaft
F	1	HM-E1006M15	Gear Set, 1½" Center	P	1	NC-015092BG	Motor Cap w/ Seal
G	1	HM-K0574NC	Cover, Shaft End	✓ P1	1	GB-300004	Seal, Motor Cap
✓ H	2	HM-R300655*	O-Ring	Q	3	BN-SSFH1478	Screw, Flat Head, ¼" x 7/8", 20UNC
✓ I	1	HM-X73371	Oil Seal	R	10	BN-HH12414	Screw, Hex Head, ½" x 4 ¼", 13UNC
✓ J	1	HM-EA1669	Bearing, Spacer **	✓	1	NC-8080KIT	Double Bearing Repair Kit, Includes all ✓

\* 2 slots to put O-Ring: on in top & bottom slot only  
 \*\* Bearing Spacer is concave. Install concave side up.  
 \*\*\* Ref O - Special installation. See note on drawing.



Scan QR code to see video on spinner motors

# HD SPINNER MOTOR, GENERATION 3



### How to determine what generation of heavy duty spinner motor is on your spreader:

Measure Motor Cap:

- 1  $\frac{3}{16}$ " Motor Cap - Generation 1 Long Shaft; marked with extra hole where bolts hold onto motor mount (under pad)
- $\frac{1}{16}$ " Motor Cap then remove shaft (ref K) from spinner motor
  - If the shaft has a lock nut (ref N) then it is generation 3, HM-SM150X125ABCT (Parker) or HM-SM150X125BBCT (Permco)
  - If the shaft has a snap ring then the motor is generation 2 HM -SM150X125ABC00

### Heavy Duty Motors Used on Models:

- Model 40 - High Clearance Spreader
- Model 47 - Tandem Axle Spreader
- Model 49 - Row Crop Spreader
- Model 54 - Chassis Spreader
- Requires Case Drain

HM-SM150X125BBCT  
Spinner Motor.  
aka: 4 Bolt Motor



HM-M2640A2BF0  
Spinner Motor  
aka: 2 Bolt Motor



## HD Spinner Motors, 1.25" Shaft with Improved Lock Nut - Generation 3

Ref	Qty	Part No.	Description	Ref	Qty	Part No.	Description
A	2	HM-W0157	Shaft Bearing for HD w/ Race 1/4"	F	1	PM-025005DY	Spinner Motor Washer, HD
B1	1	HM-3019301	Rubber Encased Seal, Outside	G	1	BN-SSHH121	Bolt, SS 1/2" X 1"
B2	1	HM-3913384602	Spaner Nut, 1/4"	H	1	NC-025006A	Spinner Dish, NCI Universal
B3	1	HM-OILSEALWSPRING	Oil Seal with Spring, 1/4"	J	1	HM-3911781141	Key .31" X .47" X 1.12"
B4	1	HM-K299547	O-Ring	K	1	HM-3031500511	Short Shaft for HD Motors, 1/4"
C1	1	GB-300020	Motor Cap Seal	L	1	HM-3913381007	Spacer
C2	1	NC-015092B0	Motor Cap for Short Shaft	M	1	HM-3913782289	Lock Washer
D	1	SE-17240	Seal, Spinner Hub (install flat up)	N	1	HM-3911451201	Lock Nut
D1	1	NC-015006J	Spinner Hub with Seal 1/4"	Entire Motor	1	HM-SM150X125BBCT	Spinner Motor, Heavy Duty, Permco Replaces Parker Motors
E	1	BN-SSSHSS381	Square Head Set Screw, SS 3/8" X 1"				

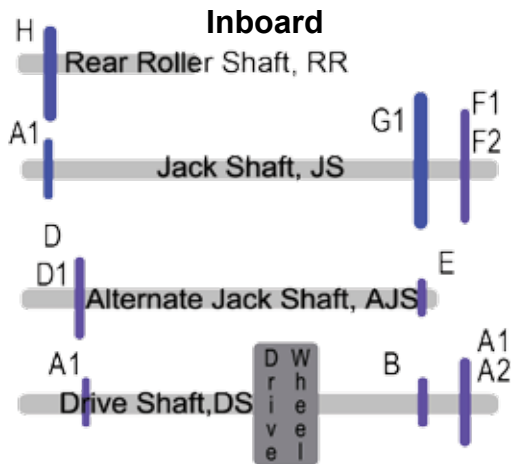
Note:

- HM-SM150X125BBCT (Permco) replace HM -SM150X125ABC00 and HM-SM150X125ABCT (Parker). All are short shaft motors with caps.
- Parts in Figure B and Ref C1, C2, D, D1, E, F, G are the same on both HM-SM150X125ABCT and HM-SM150X125BBCT
- Ref K and B2 will not interchange on HM-SM150X125ABC00
- Generation 1 Spinner Motors - 1  $\frac{3}{16}$ " Motor Cap; Long Shaft; marked with extra hole where bolts hold onto motor mount (under pad).
- Generation 2 Spinner Motors -  $\frac{1}{16}$ " Motor Cap; Short Shaft with snap ring.
- Generation 3 Spinner Motors (HM-SM150X125BBCT) -  $\frac{1}{16}$ " Motor Cap; Short Shaft with lock nut.
- Generation 3 Spinner Motors (HM-M2640A2BF0) - 2 Bolt Up Side Down Motor requires a Universal Joint.
- Special fittings, including case drain, required.

# SPROCKETS

COMMON NCI PARTS

## Inboard



**To ensure proper sprockets are ordered, please note:**

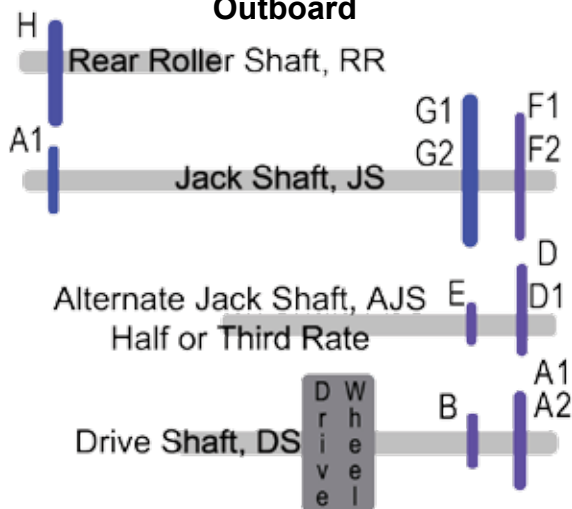
- See Technical tips at newtoncrouch.com; Serial Number when ordering.
- Drawings shown as if standing by tongue looking toward rear of spreader.
- Inboard sprocket: Models 49 Row Crop; (Model 41 & 46 different setup)
- Outboard sprocket: Models 47 Spreadit Series and 57
- Half or third rate is usually found with a 24" conveyor and reduces the rate by half (24 spkt) or third (36 spkt). Requires 3 chains.

## Sprocket for Models 41, 46, 47, 49, and 57

Ref No.	Part No.	Description
<b>Sprockets for Models 47, 49, and 57</b>		
A1	SP-60B12X114	60B Sprocket, 12 Tooth 1¼" Bore
A2*	SP-60B22X114	60B Sprocket, 22 Tooth 1¼" Bore, Lime
B	SP-60B12X114	60B Sprocket, 12 Tooth 1¼" Bore, Fertilizer
D1	SP-60B36X114	60B Sprocket, 36 Tooth 1¼" Bore, Third Rate
D	SP-60B24X114	60B Sprocket, 24 Tooth 1¼" Bore, Half Rate
E	SP-60B12X114	60B Sprocket, 12 Tooth 1¼" Bore
F1	SP-60B24X114	60B Sprocket, 24 Tooth 1¼" Bore
F2*	SP-60B44X114	60B Sprocket, 44 Tooth 1¼" Bore, Lime
G1	SP-60B54X114	60B Sprocket, 54 tooth 1¼" Bore, Fertilizer
G2*	SP-60B80X114	60B Sprocket, 80 Tooth, 1¼" Bore
H	SP-60B36X200	60B Sprocket, 36 Tooth, 2" Bore

Chain 1: A1 on JS to H on RR does not move			
Medium Fertilizer Rate	Low Fertilizer Half Rate	Low Fertilizer Third Rate	High Fertilizer or Lime Rate
Chain 2: B on DS to G1 on JS	Chain 2: A1 on DS to D on AJS	Chain 2: A1 on DS to D1 on AJS	Chain 2: A1 on DS to F1 on JS
	Chain 3: E on AJS to G1 on JS	Chain 3: E on AJS to G1 on JS	Or
			Chain 2: A2 on DS to F2 on JS

## Outboard



- Rate Kits**
- Half or third rate is usually found with a 24" conveyor and reduces the rate by half (24 spkt) or third (36 spkt).
  - \* Half or third rate on outboard cannot have a 22 DS, 44 JS or 80 JS
  - **Half Rate Kit** (12-24 sprockets) and **Third Rate Kit** (12-36 sprockets) contain: sprockets, 3 roller chains, connector link, shaft, bearings, nuts, & bolts.
  - Roller chain required. Cut to length. Order in 10 ft lengths.

Part No.	Description
NC-015049CB	Half Rate Kit, 12-24 Sprockets
NC-015049EY	Third Rate Kit, 12-36 Sprockets
NC-015049DB	PB Bearing Spacer for Rate Kit (2 Required)

Chain 1: A1 on JS to H on RR does not move			
Medium Fertilizer Rate	Low Fertilizer Half Rate	Low Fertilizer Third Rate	High Fertilizer or Lime Rate
Chain 2: B on DS to G1 on JS	Chain 2: A1 on DS to D on AJS	Chain 2: A1 on DS to D1 on AJS	Chain 2: A1 on DS to F1 on JS
or	Chain 3: E on AJS to G1 on JS	Chain 3: E on AJS to G1 on JS	without reduction rate kit
Chain 2: B on DS to G2 to JS			Chain 2: A2 on DS to F2 on AJS

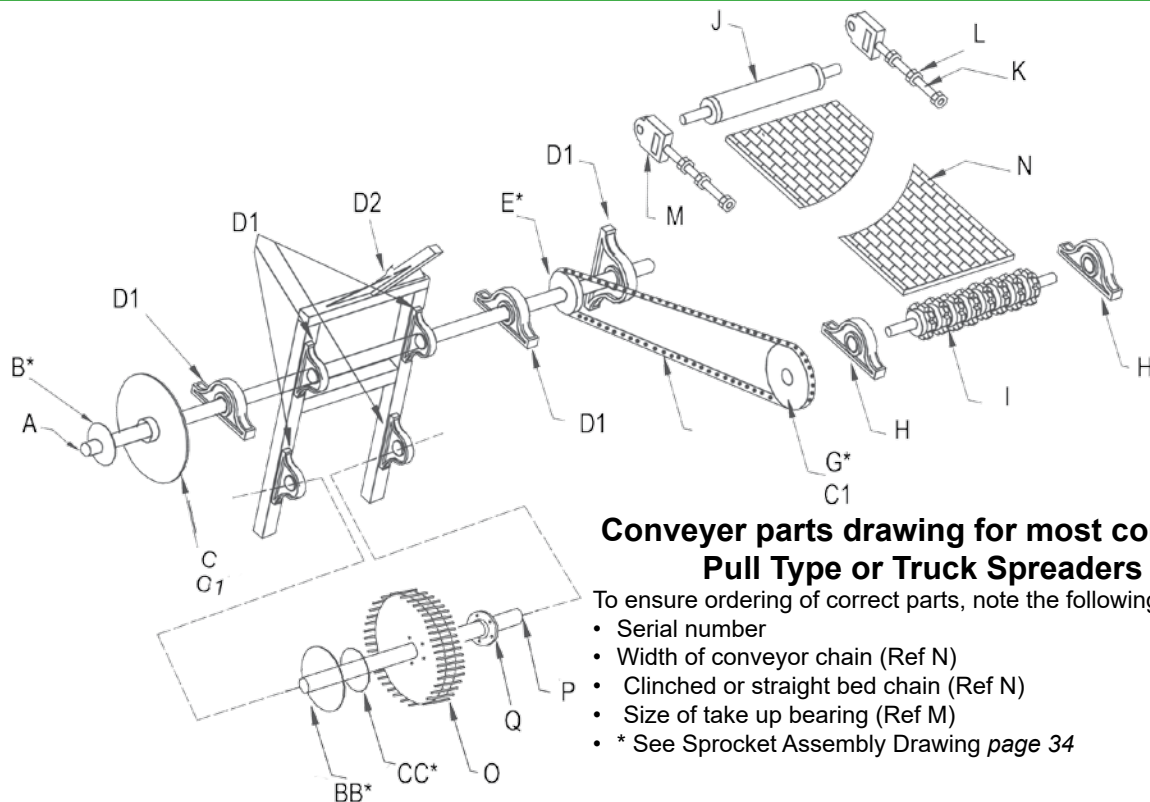
<b>Roller Chain - Sizes 50, 60, 80</b>	
Part No.	Description
CA-HL**	Half Link, SS or Nickle
CA-RC**	Roller Chain, SS or Nickle, Available in 10 ft lengths
CA-CL**	Connector Link, SS or Nickle

\*\* specify size (50, 60, 80) and material (Stainless or Nickle)

<b>Chain Idler Parts</b>	
Part No.	Description
NC-015049CG	Chain Idler, Single Complete
NC-015049DV	Chain Idler, Double Complete
MS-P6364	Idler Rollers
SP-60B15X12	Idler Sprocket, 15 Tooth, ½" Bore

Scan this QR code to visit NCI's YouTube Channel and learn more about sprocket ratios.





### Conveyor parts drawing for most common Pull Type or Truck Spreaders

To ensure ordering of correct parts, note the following:

- Serial number
- Width of conveyor chain (Ref N)
- Clinched or straight bed chain (Ref N)
- Size of take up bearing (Ref M)
- \* See Sprocket Assembly Drawing page 34

### 16" and 24" Chain Conveyor Parts for Models 41, 46, 47, 49, 54, and 57

Ref	Qty 16"	Qty 24"	Part No.	Description	Ref	Qty 16"	Qty 24"	Part No.	Description
A	1	1	NC-015049U**	Jack Shaft, 1/4" x 36"	L	4	4	BN-SSAHN58	Nuts, SS, Acme Thread, 5/8"
A	1	1	NC-015092AH**	Jack Shaft, 1/4" x 40"	M	2	2	BR-TU112IMP <sup>o</sup>	Take Up Bearing, 1 1/2" (match FR)
A	1	1	NC-015092AI**	Jack Shaft, 1/4" x 45"	M	2	2	BR-TU100IMP <sup>o</sup>	Take Up Bearing, 1" (match FR)
C1 - on all spkts			KE-516112	Key, 5/16" x 1 1/2"	N	1	-	CA-CBCW16	Conveyor Chain, 16" Clinched
D1	3	3	BR-PB114 <sup>o</sup>	PB Bearing, 1/4" on Brackets	N	1	-	CA-BCW16	Conveyor Chain, 16" Straight
D1	4	4	BR-PB114 <sup>o</sup>	PB Bearing, 1/4" on H-Frame	N	-	1	CA-CBCW24	Conveyor Chain, 24" Clinched
D1	14	14	BN-SSHH122	Hex Head Bolt, 1/2" x 2", SS	N	-	1	CA-BC24	Conveyor Chain, 24" Straight
D1	14	14	BN-SSHN12	Hex Nut, 1/2", SS	N	-	1	CA-BCHD24	Conveyor Chain, HD 24" Straight, Reinforced
D1	14	14	BN-SSLW12	Lock Washer, 1/2", SS	-	1	-	CA-SP16	Splice Pin, 16"
D1	14	14	BN-SSFW12	Flat Washer, 1/2", SS	-	-	1	CA-SP24	Splice Pin, 24"
D2	1	1	NC-015049AZ	H Frame Assy Narrow	O	1	1	NC-015104G	Drive Wheel Assy, Single Paddle, Pull Type, 4.8 x 8
D2	1	1	NC-015049DA	H Frame Assy Universal	O	1	1	HA-101300	Bolts for Drive Wheel, Steel Wheel
D2	1	1	NC-015054A	H Frame Assy Truck w/ Top Link	O	1	1	WT-ASSY5X8X15LAMO	Laminated Tire, Pull Type, 4.8 x 8
F	10'	10'	CA-RC60SS	Roller Chain, SS, 60, Master & Half Link	O	5	5	HA-101325	Bolts for Laminated Air-filled Tire, 1 1/4"
H	2	-	BR-PB112 <sup>o</sup>	PB Bearing, 1 1/2" on RR Assy	O	1	1	WT-ASSY480X8B	Air Tire, Rubber Filled, Pull Type, 4.8 x 8
H	-	2	BR-PB200 <sup>o</sup>	PB Bearing, 2" on RR Assy	O	1	1	WT-ASSY205X8X1000	Air Tire, Truck, 20.5 x 8
H	4	4	BN-SSHH122	Hex Head Bolt, 1/2" x 2", SS	P	1	1	NC-015049AU	Drive Wheel Shaft, 1/4" x 20"
H	4	4	BN-SSHN12	Hex Nut, 1/2", SS	P	1	1	NC-015092AH	Drive Wheel Shaft, 1/4" x 24"
H	4	4	BN-SSLW12	Lock Washer, 1/2", SS	P	1	1	NC-015092BK	Drive Wheel Shaft, 1/4" x 27"
H	4	4	BN-SSFW12	Flat Washer, 1/2", SS	Q	1	1	CN-015049AY	Drive Wheel Hub, 1/4"
I or J	See page 29 for Roller Parts				Q	1	1	NC-015092BH	Clutch for Drive Wheel, Truck
K	2	2	NC-025005Q	Take Up Screw, 5/8" x 12"					

\* See sprocket assembly drawing page 34

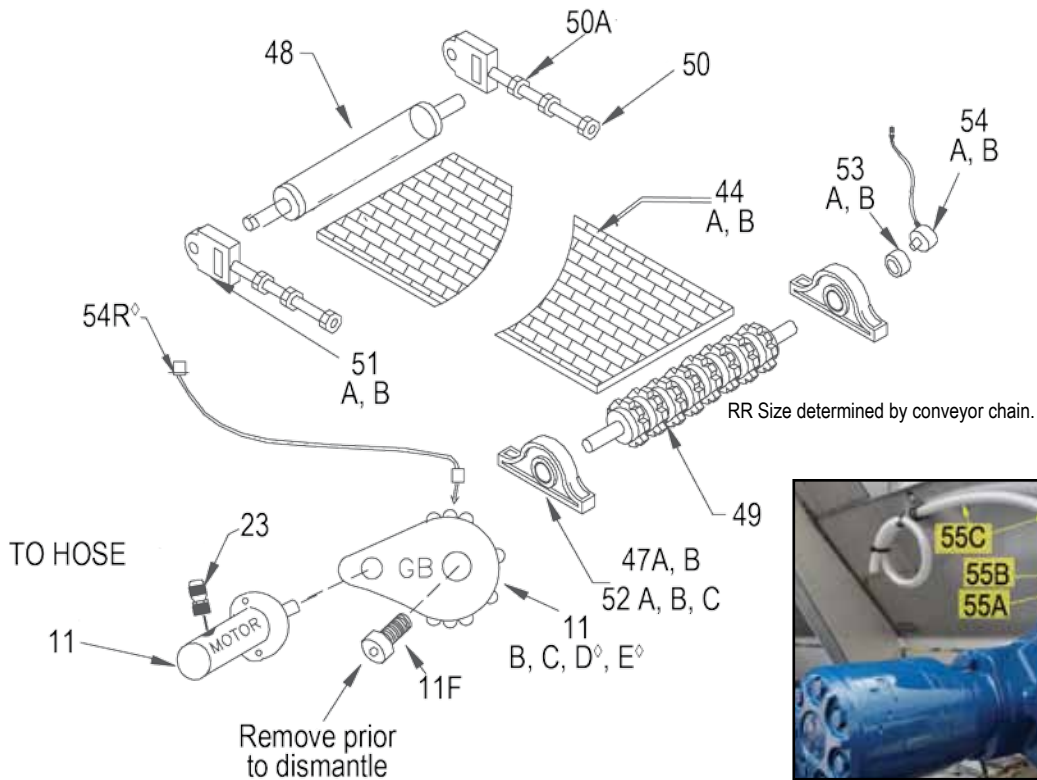
\*\*Jack Shaft also offered in 1/2" - required change of bearings & sprockets



<sup>o</sup> Offered in stainless steel.

<sup>o</sup> Heavy Duty Bearings available but are not interchangeable. Bearings require specific shaft height.





## Rear Parts for All Hydraulic with Controller, All Spreader Models

Ref No	16"	24"	Part No.	Description	Ref No	16"	24"	Part No.	Description	
11	1	1	HM-RE10 HM-RE10E	Hydraulic Motor, Parker, RE 10 Hydraulic Motor, Eaton, RE 10	48 and 49		See Roller Parts <i>page 29</i>			
11	1	1	HM-RE14 HM-RE14E	Hydraulic Motor, Parker, RE14 Hydraulic Motor, Eaton, RE14	50	2	2	NC-025005Q	Take Up Screw, 5/8" x 12"	
11	1	1	HM-RE18 HM-RE18E	Hydraulic Motor, Parker, RE18 Hydraulic Motor, Eaton, RE18	50A	2	2	BN-SSAHN58	Take Up Screw Nut, 5/8"	
11	1	1	HM-RE24 HM-RE24E	Hydraulic Motor, Parker, RE24 Hydraulic Motor, Eaton, RE24	51A	2	2	BR-TU112IMP**	Take Up Bearing, 1 1/2"	
11B	1	-	GB-301095S	Gear Box, 1 1/2" LH, No Sensor	51B	2	2	BR-TU100IMP**	Take Up Bearing, 1"	
11C	1	1	GB-301075S	Gear Box, 2" LH, No Sensor	52A	4	4	BN-SSHH122	Hex Head Bolt, 1/2" x 2"	
11D <sup>◇</sup>	1	1	GB-301098S	Gear Box, 1 1/2" LH, Sensor <sup>◇</sup>	52B	4	4	BN-SSHN12	Hex Nut, 1/2"	
11E <sup>◇</sup>	1	1	GB-301091S	Gear Box, 2" LH, Sensor <sup>◇</sup>	52C	16	16	BN-SSFW12	Flat Washer, 1/2"	
11F	1	1	BN-AHSH5161	Allen Head Screw, 5/16" x 1" (2" Shaft)	53A	1	1	NC-015005DNP	Rear Roller Adapter, 2" LH Slot Sensor	
23	2	2	HH-848FSO1210	Fitting, Hydraulic, 3/4 JIC x 5/8" O Ring	53B	1	1	NC-015005DVP	Rear Roller Adapter, 1 1/2" LH Slot Sensor	
44A	1	-	CA-BCW16	Conveyor Chain, 16" Straight	54A	1	1	RA-0630171443	Raven Slot Sensor, 25' Cable, NCI Std	
44A	1	-	CA-CBCW16	Conveyor Chain, 16" Clinched	54B	1	1	MD-1200009 MD-1200009A	Dickey John 360 Slot Sensor, 25' Cable 360 Slot Sensor Adapter Cable	
44B	-	1	CA-BC24	Conveyor Chain, 24" Straight	54R <sup>◇</sup>	1	1	MD-1605004KIT	MidTech Rate Sensor & Cable	
44B	-	1	CA-BCHD24	Conveyor Chain, HD 24" Straight, Reinforced	Ref No. 54R <sup>◇</sup> Kit Includes				MD-4505114	Sensor Cable
44B	-	1	CA-CBCW24	Conveyor Chain, 24" Clinched					MD-1605000	Rate Sensor
47A	2	1	BR-PB112**	Pillow Block Bearing, 1 1/2"					MD-5005007	MT Rate Sensor U-Cup Seal
47B	2	2	BR-PB200**	Pillow Block Bearing 2"					MD-6010000	Clamp, Loop, 304 SST
47B	2	2	BR-PB200HD	Heavy Duty Pillow Block Bearing, 2"	55A	1	1	TP-HB038	Hose Barb, 3/8"	
					55B	1	1	CL-0600	Clamp, 3/8" Stainless Steel	
					55C	1	1	HO-CT38BPVC	Hose, 3 Feet Needed	

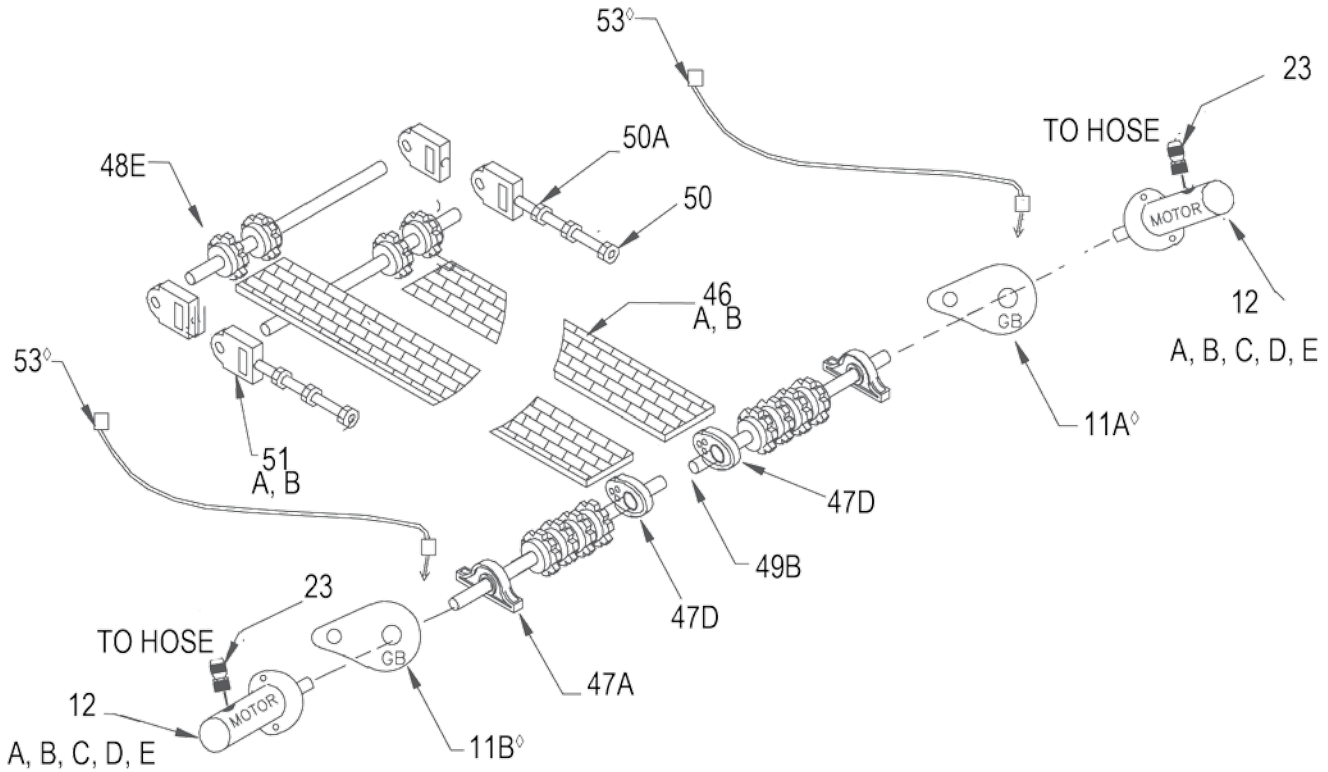
<sup>◇</sup> Ref 11D, 11E Gear Box Sensor requires MD-1605004KIT. (Ref No. 54R)

\*\* Offered in Stainless Steel.

\*\* Heavy Duty Bearings available but are not interchangeable. Bearings require specific shaft height.

# CONVEYOR PARTS, SPLIT CHAIN

**COMMON NCI PARTS**



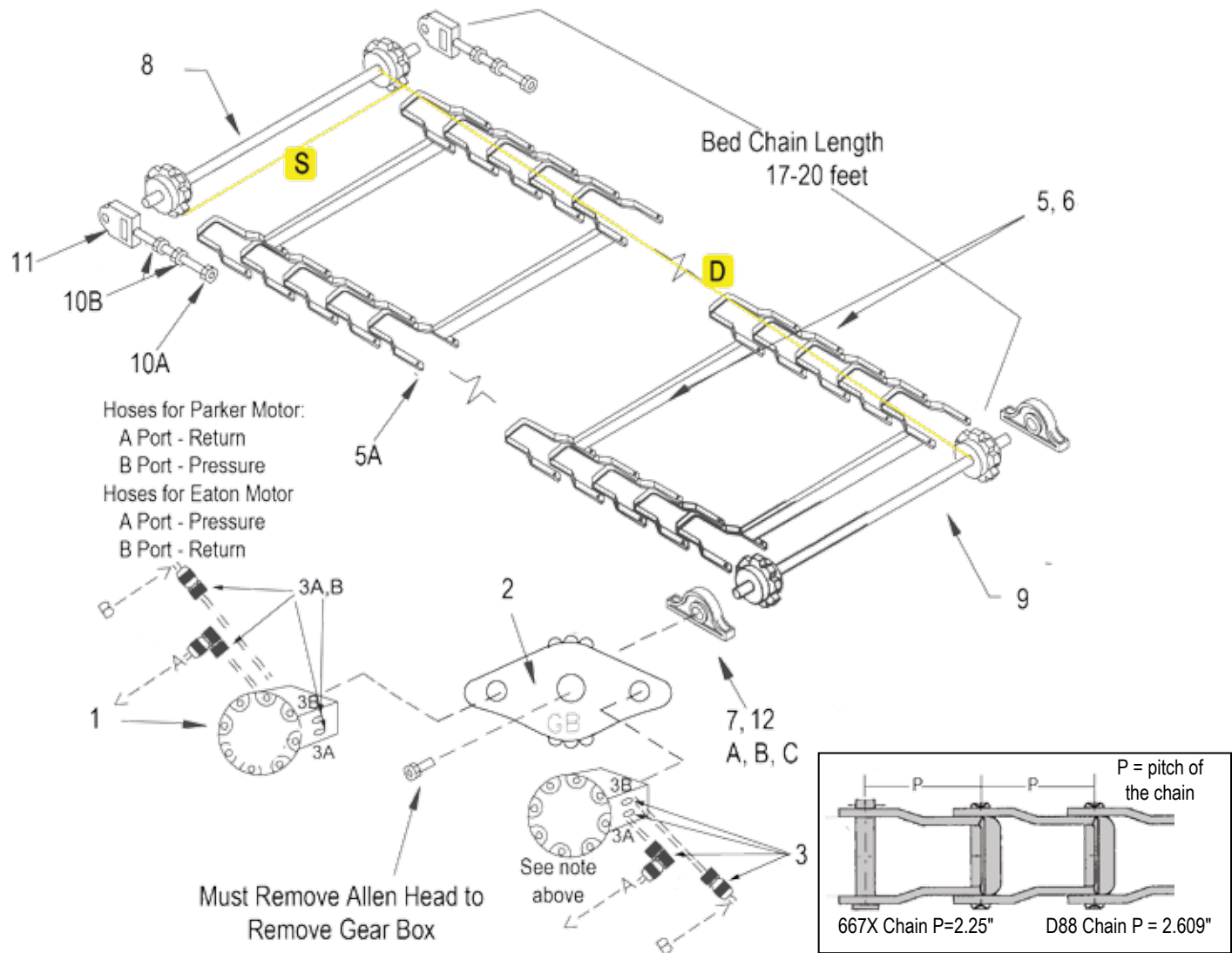
## 8" or 12" Split Chain Conveyor Parts for Models 40, 41, 46, 47, 49, 54 & 57

Ref No.	Qty	Part No.	Description	Ref No.	Qty	Part No.	Description
11A <sup>◇</sup>	1	GB-301090S	Gear Box, 2" RH Sensor	47A	2	BR-PB200*	Bearing, Pillow Block 2 Bolt, 2"
11B <sup>◇</sup>	1	GB-301091S	Gear Box, 2" LH Sensor	47A	2	BR-PB200HD	Bearing, Heavy Duty Pillow Block, 2"
12A	2	HM-RE10 HM-RE10E	Hydraulic Motor, Parker, RE 10 Hydraulic Motor, Eaton, RE 10	47D	2	BR-3BF114P*	Bearing, 3 Bolt Flange, 1 1/4" Poly
12B	2	HM-RE12 HM-RE12E	Hydraulic Motor, Parker, RE12 Hydraulic Motor, Eaton, RE12	48E and 49B	See "Roller parts MODELS 40, 41, 46, 47, 49, 54, & 57" on page 29. Must order 2 front & 2 rear rollers for split chain conveyor. RR determined by conveyor chain.		
12C	2	HM-RE14 HM-RE14E	Hydraulic Motor, Parker, RE14 Hydraulic Motor, Eaton, RE14	50A	2	NC-025005Q	Take Up Screw, 5/8" x 12"
12D	2	HM-RE18 HM-RE18E	Hydraulic Motor, Parker, RE18 Hydraulic Motor, Eaton, RE18	50B	4	BN-SSAHN58	Take Up Screw Nut, 5/8"
12E	2	HM-RE24 HM-RE24E	Hydraulic Motor, Parker, RE24 Hydraulic Motor, Eaton, RE24	51A	4	BR-TU112IMP*	Take Up Bearing 1 1/2"
23	2	HH-848FSO1210	Fitting, 3/4 JIC x 5/8 O Ring, Gear Box Single	51B	4	BR-TU100IMP*	Take Up Bearing 1"
46A	2	CA-BC08	Conveyor Chain, 8" Straight, Specify Body Length	52A	14	BN-SSHH122	Hex Head Bolt, 1/2" x 2"
46B	2	CA-BC12	Conveyor Chain, 12" Straight, Specify Body Length	52B	14	BN-SSHN12	Hex Nut, 1/2"
				52C	56	BN-SSFW12	Flat Washer, 1/2"
				53 <sup>◇</sup>	2	MD-1605004KIT	Mid-Tech Rate Sensor & Cable
						MD-4505114	Sensor Cable
						MD-1605000	Rate Sensor
						MD-5005007	MT Rate Sensor U-Cup Seal
						MD-6010000	Clamp, Loop, 304 SST

<sup>◇</sup> Ref 11 Gear Box Sensor requires MD-1605004KIT. (Ref No. 53)

\* Offered in Stainless Steel

\*\* Heavy Duty Bearings available but are not interchangeable. Bearings require specific shaft height.



## Conveyor Parts for Models 30 and 31, Double Motor, All Hydraulic

Ref No.	Qty	Part No.	Description	Ref No.	Qty	Part No.	Description
1	2	HM-RE14 HM-RE14E	Hydraulic Motor, Parker, RE14 Hydraulic Motor, Eaton, RE14	5A	1	CA-D667XCPLERKIT0	Litter Chain, 667X Coupler Kit
2	2	GB-301033S	Tandem Gear Box, 2" LH	5A	1	CA-D88KCPLERKIT0	Litter Chain, D88k Coupler Kit
3B	2	HH-848FSO1210 top	Fitting, Hydraulic, 3/4 JIC x 3/8" O Ring	6	34	PM-015031H	Bar Chain Slats
3A	2	HH-849FSO1210 bottom	Fitting, 90 Degree, Hydraulic, 3/4 JIC x 3/8" O Ring	7	2	BR-PB200HD	Pillow Block Bearing, 2" HD
5	1	CA-D667XEOL18FT CA-D88KEOL18FT	667X, Every Other Link, 10 Ft Sections D88K, Every Other Link, 10 Ft Sections	8	1	NC-015005CQ	Front Roller, 1 1/2" x 41 1/2", 2 Spkt
				9	1	NC-015005CP	Rear Roller, 2" x 45", 2 Spkt, Cold Rolled Shaft
				10A	2	NC-025005CM	Take Up Screw, 1" x 9"
				10B	4	BN-HN100	Take Up Screw Nut, Hex 1"
				11	2	BR-TU112IMP**	Take Up Bearing 1 1/2"
				12A	4	BN-SSH122	Hex Head Bolt, 1/2" x 2"
				12B	4	BN-SSHN12	Hex Nut, 1/2"
				12C	8	BN-SSFW12	Flat Washer, 1/2"

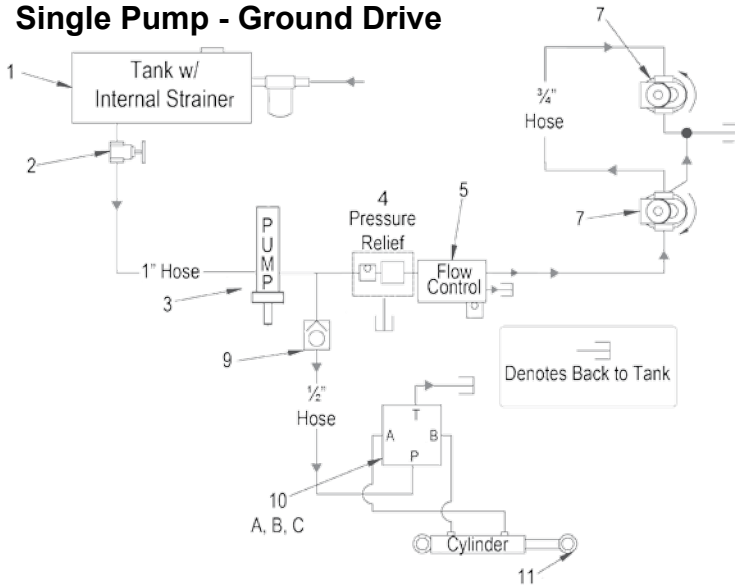
### Bar Chain Built to Order: (know the following)

- S**. Distance CENTER to CENTER of Sprockets \_\_\_\_\_
- D**. Distance center of REAR ROLLER to center of FRONT ROLLER \_\_\_\_\_
- Hull Length at Top of Spreader \_\_\_\_\_
- Bars Every Link \_\_\_\_\_
- Bars Every Other Link \_\_\_\_\_

\* Ensure size and manufacturer of hydraulic motors on unit. Cross reference checkout sheet in manual. Have serial number ready when ordering

\*\* Offered in Stainless Steel

## Single Pump - Ground Drive

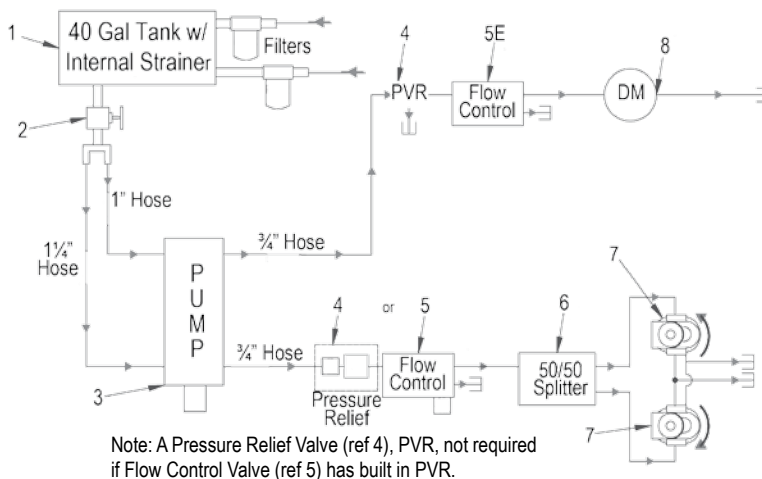


Ref.	Qty	Part No.	Description
<b>Flow Control Valve</b>			
5	1	HV-FCB5112SAE	Flow Control Valve w/ PSI Relief & O-Ring Ports - Set Pressure
5	1	HV-DFCB5112S	Flow Control Valve w/ PSI Relief & O-Ring Ports - Set Pressure
5	1	HV-FC5134	Brand Flow Control w/o PRV*
5	1	HV-FC5134KNOB	Knob for Brand Flow Control Valve*
5E	1	MD-3502123	Valve, 15 GPM EXR IV
5E	1	MD-8792030	Valve, 30 GPM
-	-	MD-8792030KIT	O-Ring Repair Kit for MD-872030
5E	1	RA-0630171842	Valve, 10 GPM PWM
5E	1	RA-0630171843	Valve, 15 GPM PWM
5E	1	RA-0630171846	Valve, 30 GPM PWM

Single: choose 1 Part No. from Ref No. 5

Tandem: choose 1 Part No. from Ref No. 5 & 1 Part No. from Ref No. 5E

## Tandem Pump - Controller



Note: A Pressure Relief Valve (ref 4), PVR, not required if Flow Control Valve (ref 5) has built in PVR.

<b>Splitters - Tandem Pump Only</b>			
6	1	HV-OPD755050	Valve, Splitter 50%, O Ring
6	1	HV-PD755050	Valve, Splitter 50%

<b>Spinner Motors (Schematic Drawing page 32 &amp; page 33)</b>			
7	1	HM-SM1120	Spinner Motor w/ O Ring, 1"
7	1	HM-SM150X125BBCT	HD Spinner Motor Permco, Short Shaft, 1 1/2" GW x 1 1/4" Shaft (Gen 3)
7	1	HM-SM150X125ABCT	HD Spinner Motor Parker, Short Shaft, 1 1/2" GW x 1 1/4" Shaft (Gen 3)
-	1	HH-38ORINGPLUG000	O Ring Plug, 3/8"
-	1	HH-1ORINGPLUG000	O Ring Plug, 1"

Ref.	Qty	Part No.	Description
<b>Oil Tanks - See Schematic Drawing page 42 for Filters/Fittings</b>			
1	1	NC-015015P	20 Gallon, Mild Steel, Round
1	1	NC-025015P	20 Gallon, Stainless Steel, Round
1	1	NC-015015AW	40 Gallon, Mild Steel, Round
1	1	NC-025015AW	40 Gallon, Stainless Steel, Round
<b>Gate Valves</b>			
2	1	VL-GV114BR	Gate Valve, 1 1/4", Brass
<b>Pumps - See page 40</b>			
3	Pump Selection from facts to operate in desired RPM window		
<b>Pressure Relief</b>			
4	1	HV-OWJL752000	Pressure Relief, 2000 PSI, O Ring
4	1	HV-OWJL752500	Pressure Relief, 2500 PSI, O Ring
4	-	HV-WJL752000	Pressure Relief, 2000 PSI, Older Units
4	-	HV-WJL752500	Pressure Relief, 2500 PSI, Older Units

<b>Drive Motors</b>			
8	1	HM-RE10**	RE 10 Hydraulic Motor
8	1	HM-RE12**	RE 12 Hydraulic Motor
8	1	HM-RE14**	RE 14 Hydraulic Motor
8	1	HM-RE18**	RE 18 Hydraulic Motor
8	1	HM-RE24**	RE 24 Hydraulic Motors

<b>Check Valves - Single Pump Only</b>			
9	1	HV-OLT5000N	Check Valve, 1/2", O Ring
9	1	HV-OLT7500N	Check Valve, 3/4", O Ring
9	1	HV-LT5000N	Check Valve, 1/2"
9	1	HV-LT7500N	Check Valve, 3/4"

<b>Wheel Control - Single Pump Only</b>	
10	See Schematic Drawing on Page 37

<b>Hydraulic Cylinders - Single Pump Only</b>			
11	1	HC-3020	Hydraulic Cylinder, 3" x 2"
11	1	SR-9120	Spring, 9 1/2", Boom & Cylinder

\* PVR (Pressure Relief Valve) required on flow controls without relief. Pressure dependant on motor type.  
 \*\* Add E to end of part number to indicate Eaton Motor



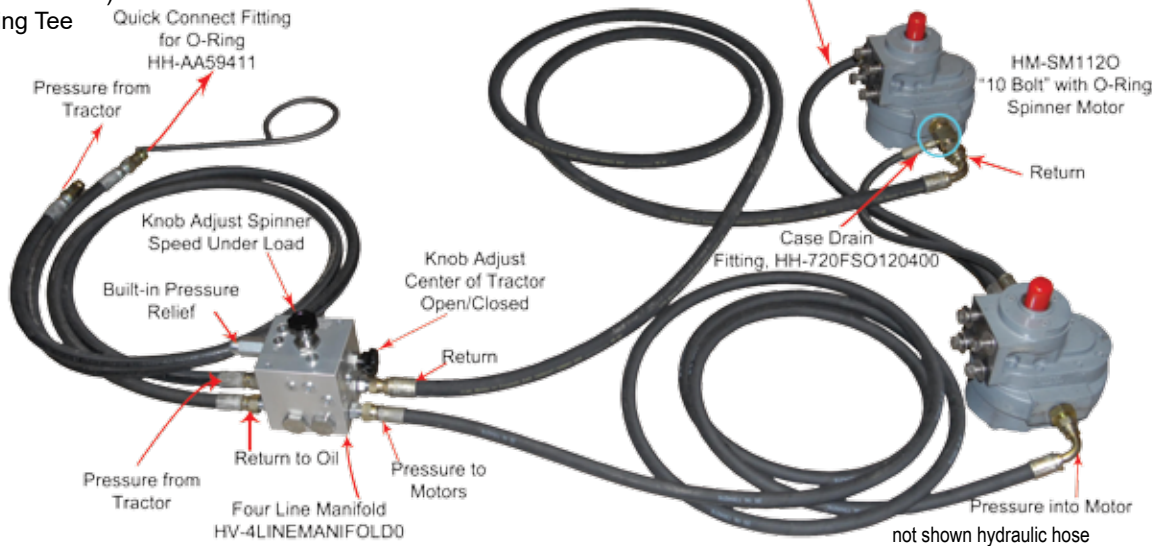


### Hydraulic Pumps & Cylinders

- Self Contained Spreader uses a 540 PTO with special fittings
- A variety of pumps can be special ordered. Please call a NCI representative for more information



Hydraulic Hose Kit Shown (HO-HOSEASSYKIT000)  
Models 41, 47, 49, 57 with Standard HM-SM1120 Spinner Motors (Not Included)  
\*Requires 720 O-Ring Tee



HH-640508080



HH-720FSO12041200  
\*720 O-Ring Tee (Required)



HH-AA59411  
O-Ring

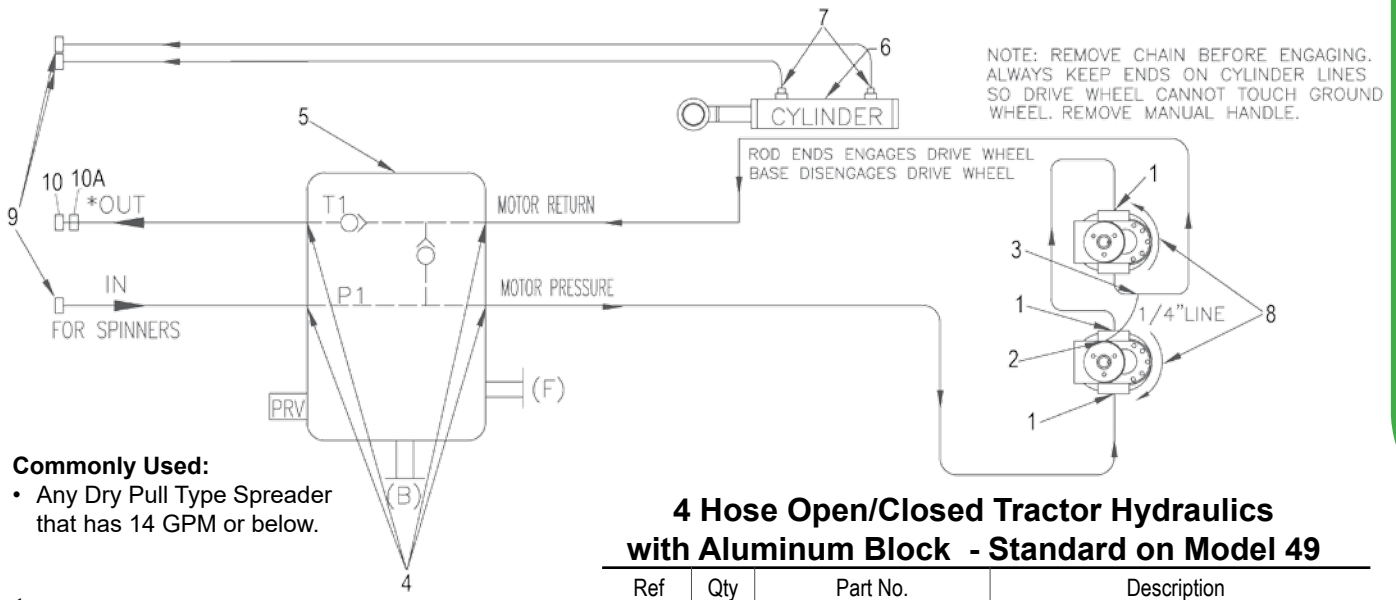


HH-12HYDQCM  
Hydraulic Quick Connect

### Hydraulic Hose Kits for All Dry Spreaders

Part No.	Description
HO-HOSEASSYKIT000	Hose Kit with O-Ring Return: 8 Hoses (Hydraulic Cylinder Hoses Not Shown) Fittings Included; Spreader Pull Type Models 41, 47, 49, 57
HO-HOSEASSYKIT40	Hose Kit with O-Ring Return: 8 Hoses (Hydraulic Cylinder Hoses Not Shown) Fittings Included; Model 40
HO-HOSEASSYKIT54	Hose Kit with O-Ring Return: 8 Hoses (Hydraulic Cylinder Hoses Not Shown) Fittings Included; Model 54
HH-720FSO12041200*	720 O Ring Tee with 3/4 SAE x 3/4 JIC x 1/4 JIC, 1 Required
HH-12HYDQCM	Hydraulic Quick Connect 1/2 Male NPT, 3 Required
HH-AA59411	Quick Connect Universal Fitting; Must Mount to O-Ring, Return, 1 Required
HH-640508080	Adapter from NPT to O-Ring, if needed
HH-4LINEMANIFOLD0	4 Line Manifold, 1 required

Various sizes of hydraulic hose available for individual purchase



**Commonly Used:**

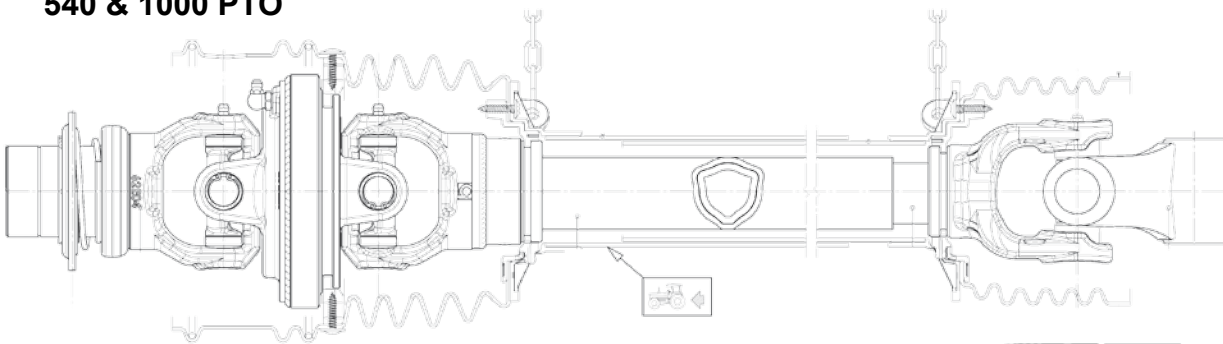
- Any Dry Pull Type Spreader that has 14 GPM or below.

- Note:**
- Tractor system must have working pressure relief valve. If not working, damage to hydraulic system will occur. See tractor instructions.
  - Danger:** Use remote to operate spinners. Forward fore on forward to flat to run off. Going to neutral will damage motors.
  - Flow Control Block turns OUT for RPM increase therefore start slightly OPEN
    - Speed Control CCW Increases
    - Speed Control CW Decreases
  - For Closed System: See instructions from Newton Crouch Inc and tractor manufacturer.
    - Close (F) fully; adjust (B) speed control to desired RPM.
  - For Open System: See instructions from Newton Crouch Inc and tractor manufacturer
    - Open (F) fully; adjust (B) speed control to desired RPM.

### 4 Hose Open/Closed Tractor Hydraulics with Aluminum Block - Standard on Model 49

Ref	Qty	Part No.	Description
1	3	HH-848FS00812	Hydraulic Fitting, 1/2" Make JIC, 3/4" O-Ring
2	1	HH=848FS0402	Hydraulic Fitting
3	1	HH-720FS012041200	720 O Ring Tee with 3/4 SAE x 3/4 JIC x 1/4 JIC
4	4	HH-848FS00808	Hydraulic Fittings, 1/2" Male JIC, 1/2" O-Ring
5	1	HV-4LINEMANIFOLD	Flow Control Block
6	1	HC-3020	Hydraulic Cylinder
7	2	HH-849FS0808	Hydraulic Fitting 90°, 1/2" Male JIC, 1/2"
8	2	HM-SM1120	1 1/2 Spinner Motors, O-Ring
9	3	HH-12HYDQCM	Quick Disconnect 1/2 Male NPT
10	1	HH-AA59411	JD Quick Disconnect, O-Ring
10A	1	HH-64050808	1/2" M x 1/2 FP STR (adapter for JD QD)

### 540 & 1000 PTO

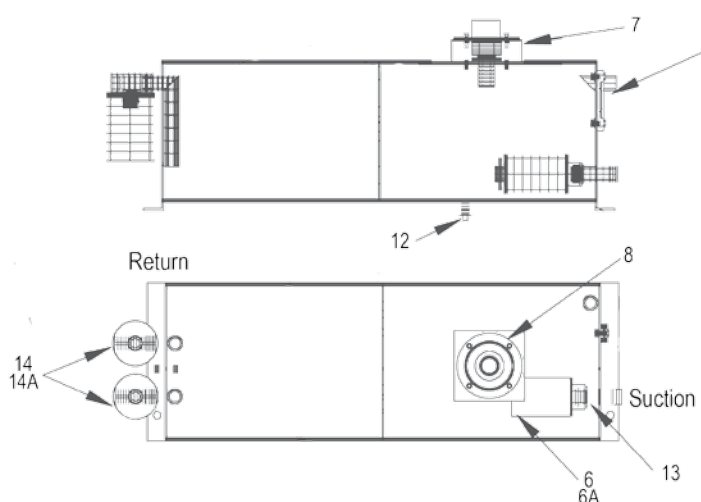


### 540 & 1000 PTO

Part No.	Description
GB-540PTOCAT4	PTO 540 Spline, 1 1/4" Round, .312" Keyed Yoke, Standard
GB-540PTOCAT4CV	PTO 540 Spline, 1 1/4" Round, .312" Keyed Yoke with CV
GB-1000PTOCAT4	PTO 540 Spline, 1 1/4" Round, .312" Keyed Yoke
GB-1000PTOCAT4CV	PTO 540 Spline, 1 1/4" Round, .312" Keyed Yoke with CV



- Commonly Used:**
- Model 31 Litter Pull Type
  - Other Pull Type Spreaders with PTO



End View with Sight Gauge

40 Gallon Stainless Oil Tank

**Oil Tank Notes:**

- Model 30 use 40 Gallon Oil Tank
- Model 49 Drive Wheel use 20 Gallon Oil Tank
- Models 31 and 41 use special Oil Tank (call for info)
- 40 Gallon and 20 Gallon Oil Tank have same parts except for Ref. 14.
- Model 54 - single pump in series (20 gallon); single pump in tandem (40 gallon)
- 40 Gallon Oil Tank requires 2 external oil filter
- 20 Gallon Oil Tank requires 1 external filter

**Oil Tank**

Ref.	SS	Part No.	Description
5	1	HF-FL213	Sight Gauge
6	1	HF-FST2151TB	Internal Filter Complete
6A	1	HF-K23001	Internal Filter Only
7	1	HF-CFTA4080C80	Breather Cap Assy; Includes- Cap, Screen 2 Gaskets, 4 SS Bolts w/ Lock Nuts
8	1	MS-CPA56	Cover Plate Assy
12	1	FB-SP34BK	3/4" Plug
13	1	FB-RB112114BK	1 1/4" x 1 1/2" Reducer Flushing
14	2	HF-FSP2121EF-NN000	External Filter Complete
14A	2	HF-K23018	External Filter Only
NC-015015P			20 Gallon, Mild Steel, Round
NC-025015P			20 Gallon, Stainless Steel, Round
NC-015015AW			40 Gallon, Mild Steel, Round
NC-025015AW			40 Gallon, Stainless Steel, Round

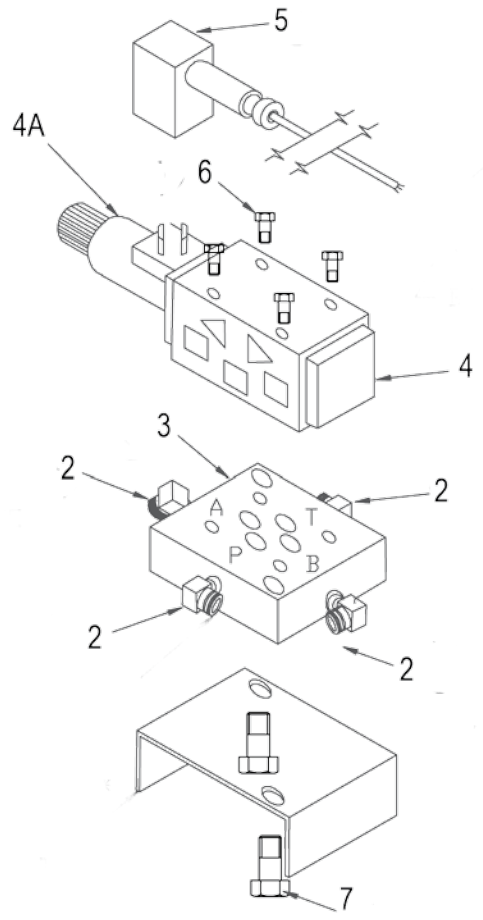
Mild steel oil tank and parts available.

**Drive Wheel Control: Electric & Manual Model 54**

Ref	Qty	Part No.	Description
NCI Standard is now with a O Ring. Must order fittings to convert older models.			
-	1	HV-NASAG01A3ZD1E2	Electric Wheel Control Valve
-	1	HV-SPCEM4NR	Manual Wheel Control Valve
2	4	HH-849FSO0806	Hyd Fitting, 1/2" MJIC X 3/8" Moring
2A*	1	HV-OLT5000N	Check Valve, 1/2", O-Ring
3	1	HV-OADO3SPS6P	Subplate, Vickers O-Ring
4	1	HV-NASAG01A3ZD1E2	Electric Wheel Control Valve
4A	1	HV-CK186027430120	Coil for Elec Wheel Control Valve
-	1	HV-COILNUT	Coil Nut, Replacement
5	1	HV-MSUD24908	Connector with 5 m Cord**
6	4	BN-SHC1024X114000	1 1/4" x 1 1/4" Bolt; Connect Ref No. 3 & 4
7	2	BN-SSH11434	1/4" x 3/4" Bolt; Connect Ref No. 3 & Catwalk

\* Requires check valve in pressure line. 2A at the tee from pump connected by hose with female JIC fittings (not shown on diagram)

\*\*Blue wire is hot, brown is ground. All other wires will be clipped.





# PLT SPREADER REAR PARTS

**COMMON NCI PARTS**



**PLT Parts for Pull Type**

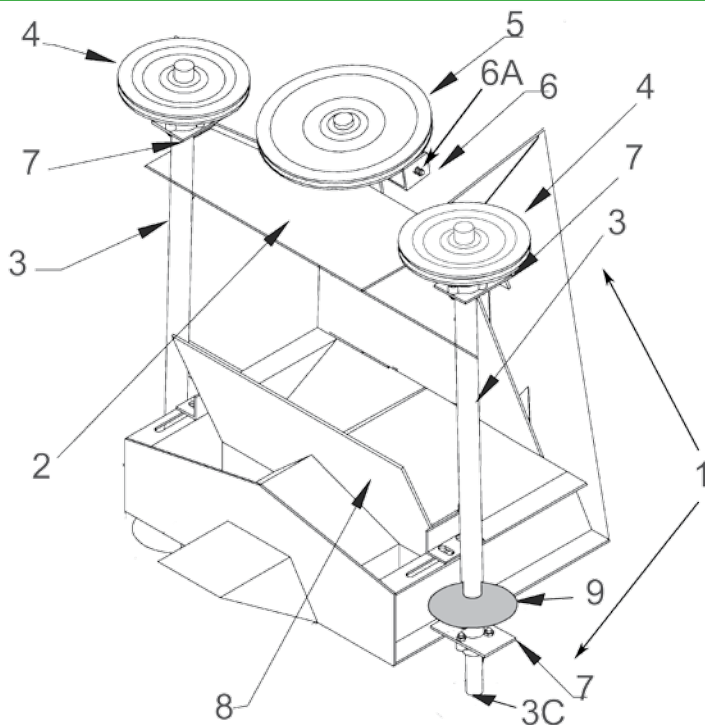
Ref No.	Qty	Part No.	Description	Ref No.	Qty	Part No.	Description
1	1	WT-ASSY20581005C	Air Tire Assembly	17	2	UJ-2205002205000	Universal, 1" x 1 1/4"
2	1	CN-015049AY	Drive Wheel Hub, 1 1/4"	18	2	HM-M2640A2BFO	Spinner Motor, HD, O-Ring Ports, 2 BLT Flange
3	8	BR-PB114	1 1/4" Pillow Block Bearing	19	1	NC-025010T	Gate Handle Extension
4	1	NC-015092BK	Drive Wheel Shaft, 1 1/4" x 27"	20	1	JA-SSBB100002801A	Gate Handle Extension Universal
5	1	NC-015049AU	Jack Shaft, 1 1/4" x 36"	21	1	JA-620198	Gate Jack
6	1	SP-60B44X114	60B Sprocket, 44 tooth, 1 1/4" Bore	22	1	NC-025008AP	Chute Screw with Bearing, SS
7	1	SP-60B36X200	60B Sprocket, 36 Tooth, 2" Bore	23	1	CN-025008AWA	Chute Coupler with Grease Fitting, SS
8	1	SP-60B12X114	60B Sprocket, 22 Tooth, 1 1/4" Bore	24A	1	TR-SRTSTSLP90120	SRT STS TARP KIT 90" X 120"
9	1	SP-60B22X114	60B Sprocket, 22 Tooth, 1 1/4" Bore	24B	1	TR-SRTSTSTP90120	SRT STS TARP 90" X 120"
10	2	SP-60B15X12	60B Idler Sprocket, 15 tooth, 1/2" Bearing	25	1	LW-1492161	Light Bar, Spot-Flood Combo, 2RS 24 LED, Clear
11	10'	CA-RC60SS	Roller Chain, 10'	26	2	LW-ZV417KR2	Light DOT
12A	6	NC-025007ABLH	11 1/4" Spinner Blade, SS, 1/4" Top Angle, LH	27	2	LW-5627511	3/4" Red Marker, Red with Grommet & Plug
12B	6	NC-025007ABRH	11 1/4" Spinner Blade, SS, 1/4" Top Angle, RH	28	1	NC-015005EN	Rear Roller Assembly, 24" 2" X 36", HD Chain 13 Sprocket
13	2	PM-025006S NC-025006S	30" Flat Spinner Dish, SS, 1/4" Universal 30" Bent Spinner Dish, SS, 1/4" Universal	29	2	BR-PB200	Bearing, 2" Pillow Block
14	2	NC-015092BJ	Spinner Shaft, 1 1/4" x 31" INV MTR	30	1	CA-BCHD2423	SS, Welded, 24" x 23' Bed Chain, HD
15	2	PP-PVC114	PVC 1 1/4" SCH 40 Pipe				
16	2	NC-015006J	Spinner Hubs without Seal, 1 1/4"				



# CHUTE ASSEMBLY, MODEL 48 NC SERIES

## Chute Assembly, Model 48

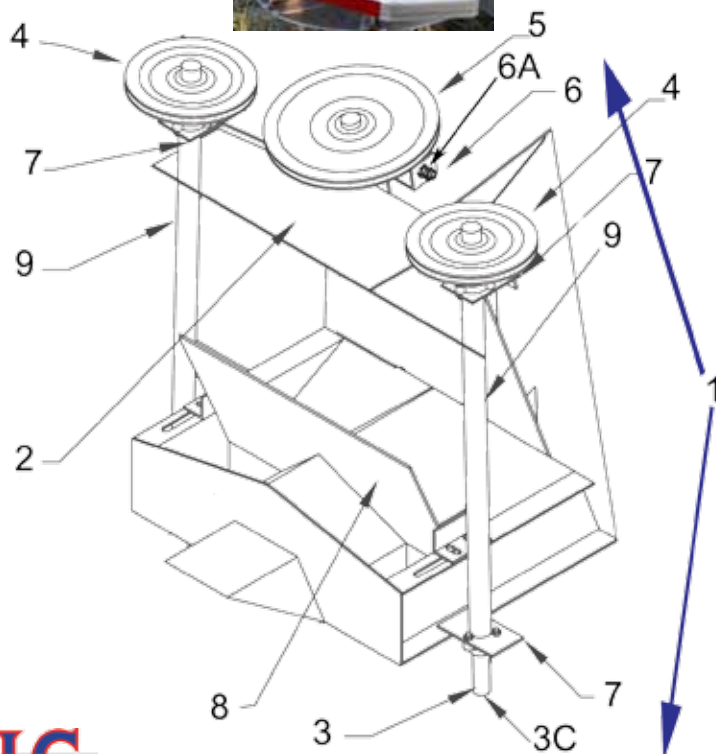
Ref No	Qty	Part No.	Description
1	1	NC-025008AM NC-025008BZ	Chute Assembly, Dual Spinners Chute Assembly, Single Spinner Both Assemblies Include: Ref 2,3,6,7,8,9 (pulleys not included)
2	1	NC-025079H	Upper Bearing Mounting Plate
3A	2	NC-015092P	Spinner Shafts
3B	2	PP-PVC100	PVC for Spinner Shafts
3C	1	KE-14112	Key, 1/4" x 1 1/2"
4	2	PU-DB965010**	Pulley, Single Groove 6", 1" Bore 540 RPM or 1000 RPM
5	1	PU-BVI10801**	Idler Pulley, 6 1/2" x 5/8" Bore
6	1	NC-025077H	Belt Guide Assembly
6A	1	NC-025008CD	Belt Tension Adjustment, 3/8 Rod
7	4	BR-3BF100	Flange Bearing 1", 3 Bolt
8	1	NC-025008AA	Chute Material Deflector
9	2	SE-013713593	Clipper Oil Seal, 1 3/8"
		BT-BB122	Belt for Dual Spinners, 540
		BT-BB116	Belt for Dual Spinners, 1000
		BT-BB111	Belt for Single Spinners



Picture Shows  
Model NC5000  
Chute Assembly with  
Stainless Enclosures

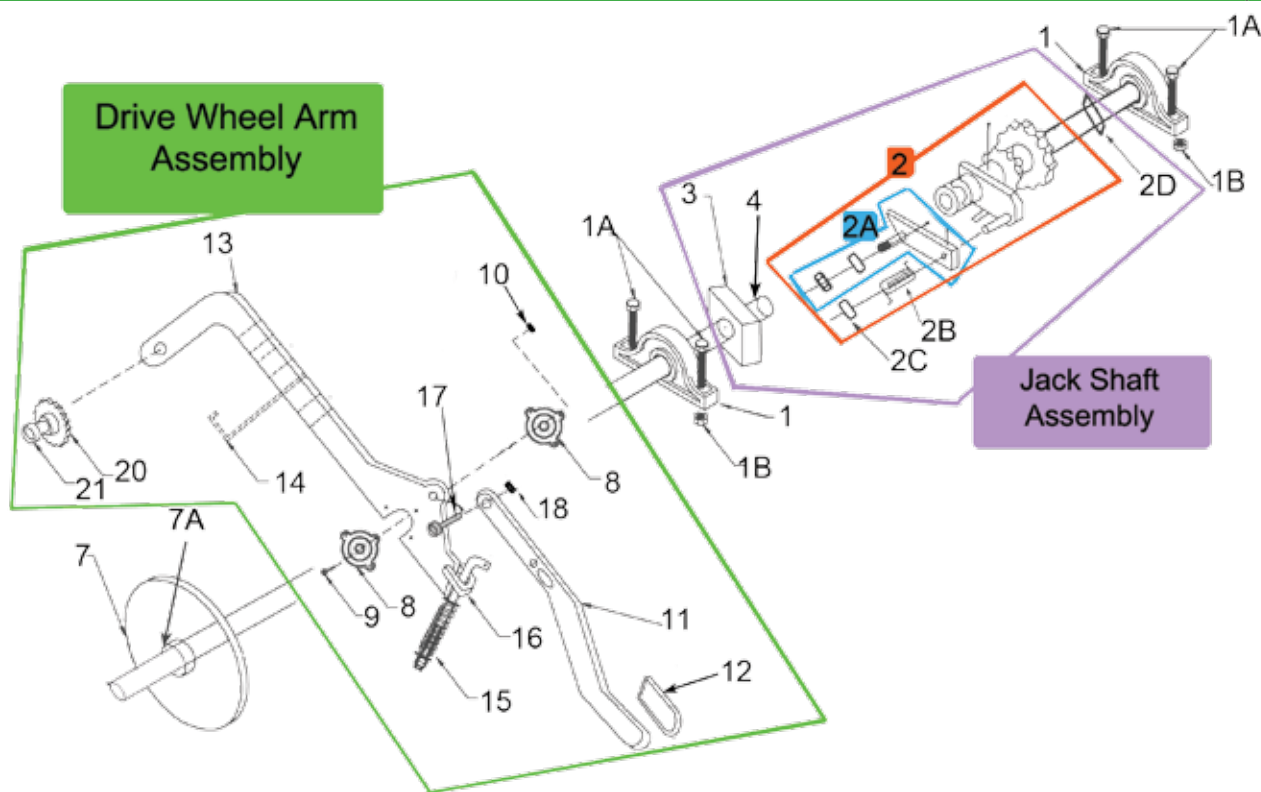
## Chute Assembly with Stainless Enclosures Model 48

Ref No	Qty	Part No.	Description
1	1	NC-025008AMSS	Chute Assembly Parts: Includes Ref 2,3,6,7,8,9 Pulleys not included
2	1	NC-025079T	Upper Bearing Mounting Plate
3	2	NC-015092P	Spinner Shafts
3C	1	KE-14112	Key, 1/4" x 1 1/2"
4	2	PUDB96501**	Pulley, Single Groove 6" x 1" Bore Not in Assembly
5	1	PU-BVI10801**	Idler Pulley, 6 1/2" x 5/8" Bore Not in Assembly
6	1	NC-025077H	Belt Guide
6A	1	NC-025008CD	Belt Tension Adjustment, 3/8 Rod
7	4	BR-SS3BF100 BR-3BF100	3 Bolt Flange Bearing, 1" SS 3 Bolt Flange Bearing, 1"
8	1	NC-025008AA	Chute Material Deflector
9*	2	NC-025079S	Spinner Shaft Enclosures w/o Bearings
		BT-BB122	Belt for Dual Spinners, 540
		BT-BB116	Belt for Dual Spinners, 1000
		BT-BB111	Belt for Single Spinners



\*\*NCI uses solid pulleys. Riveted pulleys not recommended.

# JACK SHAFT ASSEMBLY, MODEL 48 NC SERIES

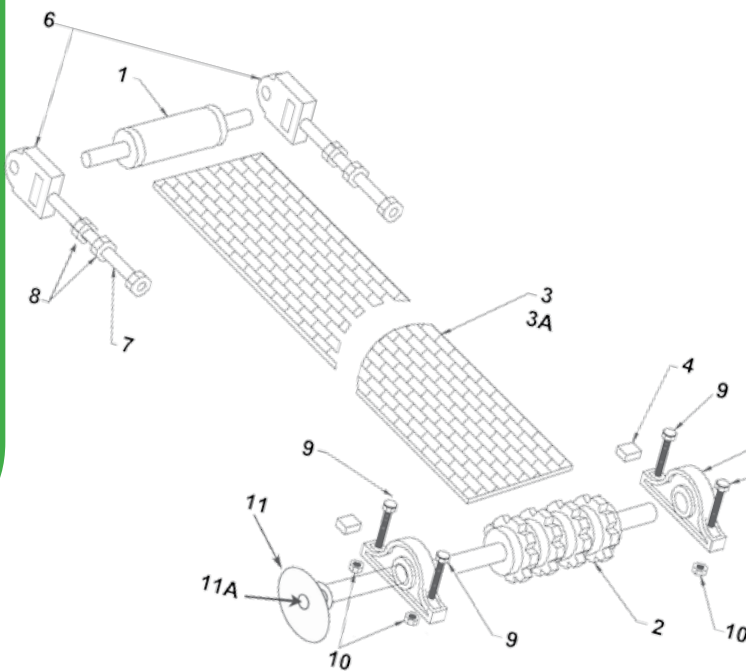


Ref.	Qty	Part No.	Description
1	1	BR-PB100IMP	Pillow Block Bearing, 1"
1A	4	BN-SSH38112	Bolt, 3/8" x 1 1/2"
1B	4	BN-SSLN38	Lock Nut, 3/8"
	1	NC-015081F	Jack Shaft Assembly Regular or Wide Track Includes Ref 2A,2B,2C,2D,3,4
	1	NC-015081G	Jack Shaft Assembly Narrow Track Includes Ref 2A,2B,2C,2D,3,4
2	1	NC-015081H	NC Series Cluster Assembly Includes Ref 2A,2B,2C
2A	1	NC-015081A	Engage Finger Assembly w/ Roller Bushing & Grease Fitting
2B	1	SR-9287K97M	1/2" Torsion Spring, Modified Cut & Bent
2C	1	CL-500M	1/2" Set Collar Modified 1/8" Hole
2D	1	NC-015092D	Bushing, MS, 1 1/4" x 1/4" Wide
3	1	NC-015081A	NC Series Ratchet
4	1	NC-015092A	Ground Drive Jack Shaft, Narrow
4	1	NC-015092M	Ground Drive Jack Shaft, 72" Wide
7	1	SP-50B54X100	Sprocket, 54 Tooth
7A	1	KE-14112	Key

Ref.	Qty	Part No.	Description
All Parts Within Green box	1	NC-015080AC	Drive Wheel Arm Assembly NC1500 & NC2000 Includes Ref 8-21
	1	NC-015080AB	Drive Wheel Arm Assembly NC5000 Includes Ref 8-21
	1	NC-015080AS	Drive Wheel Arm Assembly NC6000, NC8000 Includes Ref 8-21
8	2	BR-3BF100	3 Bolt Flange Bearing, 1"
9	3	BN-SSH516134	SS, Bolt, 5/16" x 1 3/4"
10	3	BN-SSLN516	SS, Lock Nut, 5/16"
11	1	NC-025080Q	Handle Drive
12	1	FP-250HANDLECOVER	Handle Cover
13	1	NC-015080P	Drive Wheel Arm (NC1500, NC2000)
13	1	NC-015080A	Drive Wheel Arm (NC5000)
13	1	NC-015080AR	Drive Wheel Arm (NC6000, NC8000)
14	1	NC-025080V	Chain Support
15	1	NC-025080AJ	Engagement Arm Spring Tension Bolt
16	1	PM-015080F	Drive Wheel Arm Spring Plate
17	1	BN-SSH342	SS, Bolt, 3/4" x 2"
18	1	BN-SSLN34	SS, Lock Nut, 3/4"
20	1	SP-50B17X58	Sprocket, 17 Tooth x 5/8" Bore
21	1	BN-HH582UNF	Bolt, 5/8" x 2"

**Note:**

- Assemblies are commonly ordered parts grouped together. These parts often need to be replaced simultaneously.
- Even though the jack shaft is show within all colored boxes, it is only purchased individually (ref 4) or through the Jack Shaft Assembly
- Pillow Block Bearing is not included in any assembly.



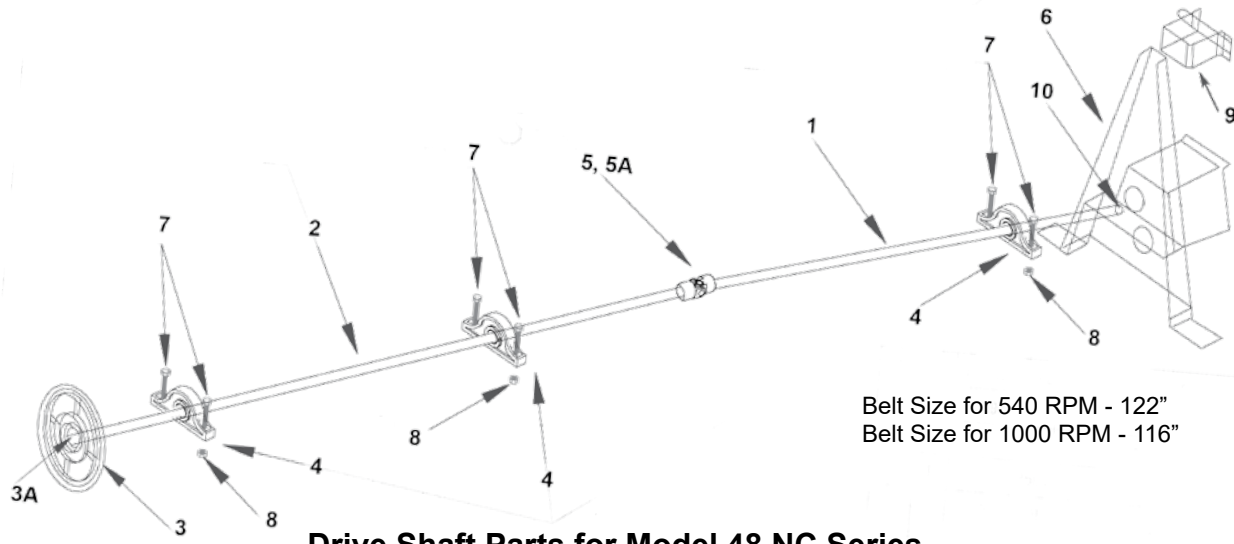
## Conveyor Parts for Model 48 NC Series

Ref No.	Qty	Part No.	Description
1	1	CN-015005AB	Front Roller, 1" x 12, No Spkt
2	1	CN-015005AC	Rear Roller, 1" x 14½", 4 Spkt
-	1	PM-025005CT	Rear Roller Cover Plate
3		CA-BC07	Bed Chain, 7" x 14' NC1500, NC 2000
3		CA-BC07	Bed Chain 7"x 16', NC5000
3		CA-BC07	Bed Chain, 7"x 20' NC6000, NC8000
3A	-	CA-SP07	Splice Pin, 7"
4	2	KE-516112	Bearing Stops, ⅝" x 1 ½"
5	2	BR-PB100IMP	Bearing 1", Pillow Block
6	2	BR-TU100IMP	Bearing 1", Take Up
7	2	NC-025005Q	Screw, Take Up
8	4	BN-SSAHN58	Acme Nut, SS, ⅝"
9	4	BN-SSHH38112	Bolt, ⅜" x 1 ½"
10	4	BN-SSLN38	Lock Nut, ⅜"
11	1	SP-205030X2050400	Transmission Sprocket, 40 & 30, 1" Bore
11A	1	KE-SK042112	Key, ⅝" x ¼"

## Model 48 NC Series Commonly Ordered Parts

Part No.	Description	Part No.	Description	Part No.	Description
NC-025077K	Belt Guard Assembly	CA-HL50SS	Offset Link, 50, SS	<b>Spinner Dishes and Blades</b>	
NC-025010L	Gate Handle	CA-RCA2050XSS	Roller Chain, A2050, SS	NC-025006NRH	Spinner Dish Assy, SS, 10 Ga Dish & Blades, RH
SM-GS148	Gate Scale	CA-CLA2050SS	Connector Link, A2050, SS	NC-025006NLH	Spinner Dish, Assy, SS, 10 Ga Dish & Blades, LH
NC-025010AF	Gate Bracket Assy w/ Brackets & Gate	NC-015006H	Spinner Hubs, 1", Belt, NC Series	NC-025006MLH	Spinner Dish Assy, SS, 10 Gauge Dish & Blades, Single Spinner
NC-025010KLH	Gate Slide, Left Side	NC-025022M	Baffle Plate Assembly (NC Series)	NC-025006CRH	Spinner Dish Only, SS, 10 Ga, RH
NC-025010KRH	Gate Slide, Right Side	NC-025022K	Bumper, Regular Track	NC-025006CLH	Spinner Dish Only, SS, 10 Ga, LH
UJ-3930103930	Std Universal for Drive Shaft, 1"R x 1"R	NC-025022J	Bumper, Narrow Track	NC-025007KRH	Spinner Blade, SS, 10 Ga, RH
UJ-3930101230	Std Universal for Drive Shaft, 1"R x 1¼"R, ⅝ <sub>16</sub>	NC-025032I	Chain Guard	NC-025007KLH	Spinner Blade, SS, 10 Ga, LH
MS-WOODROLLER	2" x 3 ½", Wood Tension Block	NC-025032D	Chain Guard, Narrow Track	BN-SSHH51634	Bolt, SS, ⅝" x ¾", 2 per Blade Needed
NC-025010S	Wing Nut, Stainless	MS-4590	Slow Moving Vehicle Placard	BN-SSHN516	Nut, SS, ⅝", 2 per Blade Needed
BN-SSCB38412	Carriage Bolt, SS ⅜" x 4 ½"	TR-92X96FIT	Tarp for NC5000		
BN-SSLN38	Locknut, ⅜" -16 UNC SS	TR-92X120FIT	Tarp for NC6000 or NC8000		
BN-SSFW12	Flat Washer, ½", SS	MS-BUNGEECORD	Bungee Cord for Tarp		
SP-50B54X100	Sprocket, 54 Tooth 1" Bore	NC-025082H	Inverted "V" Assy, NC5000		
CA-RC50SS	Roller Chain, 10' Roll, 50, SS	NC-025082I	Inverted "V" Assy, NC6000 & NC8000		
CA-CL50SS	Connector Link, 50, SS				

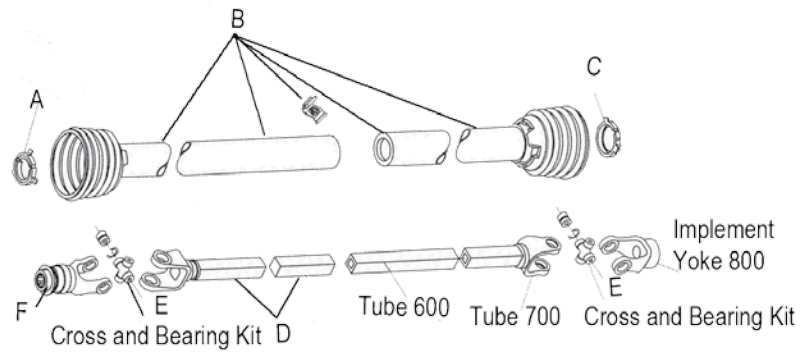
# DRIVE SHAFTS, MODEL 48 NC SERIES



Belt Size for 540 RPM - 122"  
Belt Size for 1000 RPM - 116"

## Drive Shaft Parts for Model 48 NC Series

Ref. No.	540 RPM	1000 RPM	Part No.	Description	Ref. No.	540 RPM	1000 RPM	Part No.	Description
1	1	1	NC-015005AD	Front Drive Shaft (NC15000, NC2000, & NC5000)	3A	1	1	KE-14112	Key, 1/4" x 1 1/2"
1	1	1	NC-015005AG	Front Drive Shaft (NC6000 & NC8000)	4	3	3	BR-PB100IMP	Pillow Block Bearing, 1"
2	1	1	NC-015005AE	Rear Drive Shaft (NC1500 & NC2000)	5	1	1	UJ-393010393	STD Universal, 1"R x 1"R
2	1	1	NC-015005AF	Rear Drive Shaft (NC5000)	5A	2	2	KE-K15N	Woodruff Key, 1/4" x 1
2	1	1	NC-015005AH	Rear Drive Shaft (NC6000 & NC 8000)	6	1	1	NC-025079L	PTO Support Assembly
3	1	-	PU-DB128501	Pulley Single Groove 8", 1" Bore 540RPM	6	1	1	NC-025079Q	PTO Support Assy, Narrow Track
3	-	1	PU-DG412X100	Pulley Single Groove 4.5", 1" Bore 1000RPM	7	6	6	BN-SSHH38112	Bolt 3/8" x 1 1/2"
					8	6	6	BN-SSLN38	Lock Nut, 3/8"
					9	1	1	NC-025079M	PTO Locking Assembly
					10	1	1	KE-14112	Key, 1/4" x 1 1/2"



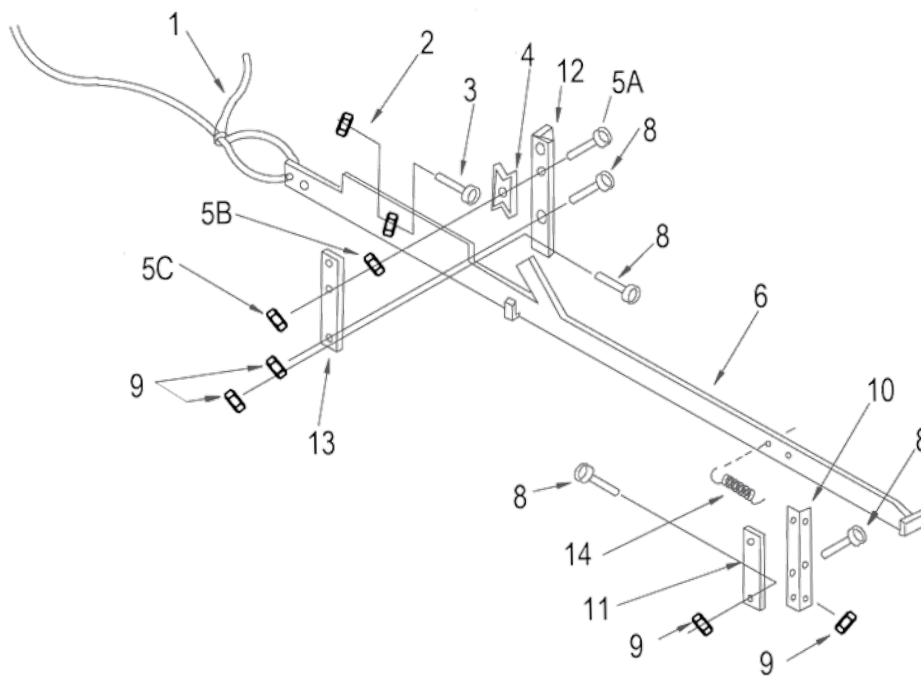
## 540 PTO Shaft Parts for Model 48 NC Series NC6000 & NC8000

Ref. No.	Qty.	Part No.	Description	Ref. No.	Qty.	Part No.	Description
-	-	GB-TR6QDP38	PTO Shaft Assembly, 3/8", 6 Spline	B	1	GB-9002560	Shield, 250, Plastic, x 60 in
-	-	GB-TR6QDP38M	PTO Shaft Assy, 3/8", 6 Spline, Modified	C	1	GB-0415169	Bushing, AS250
-	-	GB-9721154	Outer Guard	D	1	GB-10000648	Assy., 6, Yoke, & Shaft x 48
-	-	GB-9621154	Inner Guard	E	2	GB-2000600	Cross and Bearing Kit, 6R
A	1	GB-9210600	Kit, Nylon 6, Easy Lock	F	1	GB-1020606	Yoke, 6, Trac, QD 1 3/8" x 6

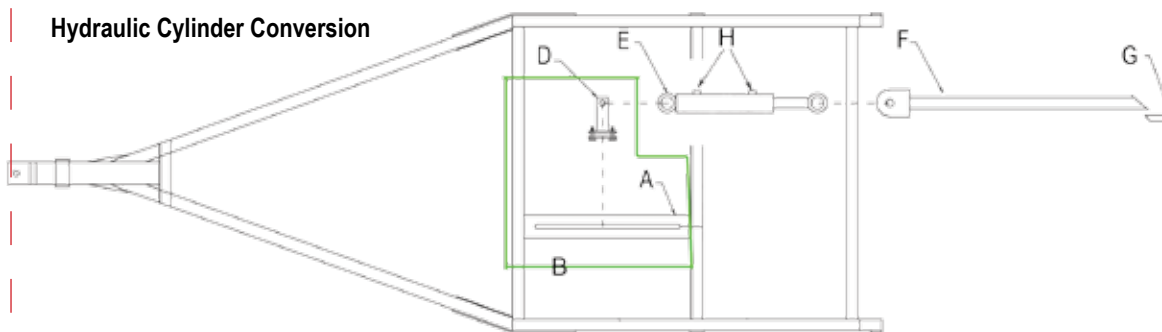


# DRIVE ENGAGER, MODEL 48 NC SERIES

COMMON NCI PARTS



### Hydraulic Cylinder Conversion



### Drive Engager for Model 48 NC Series

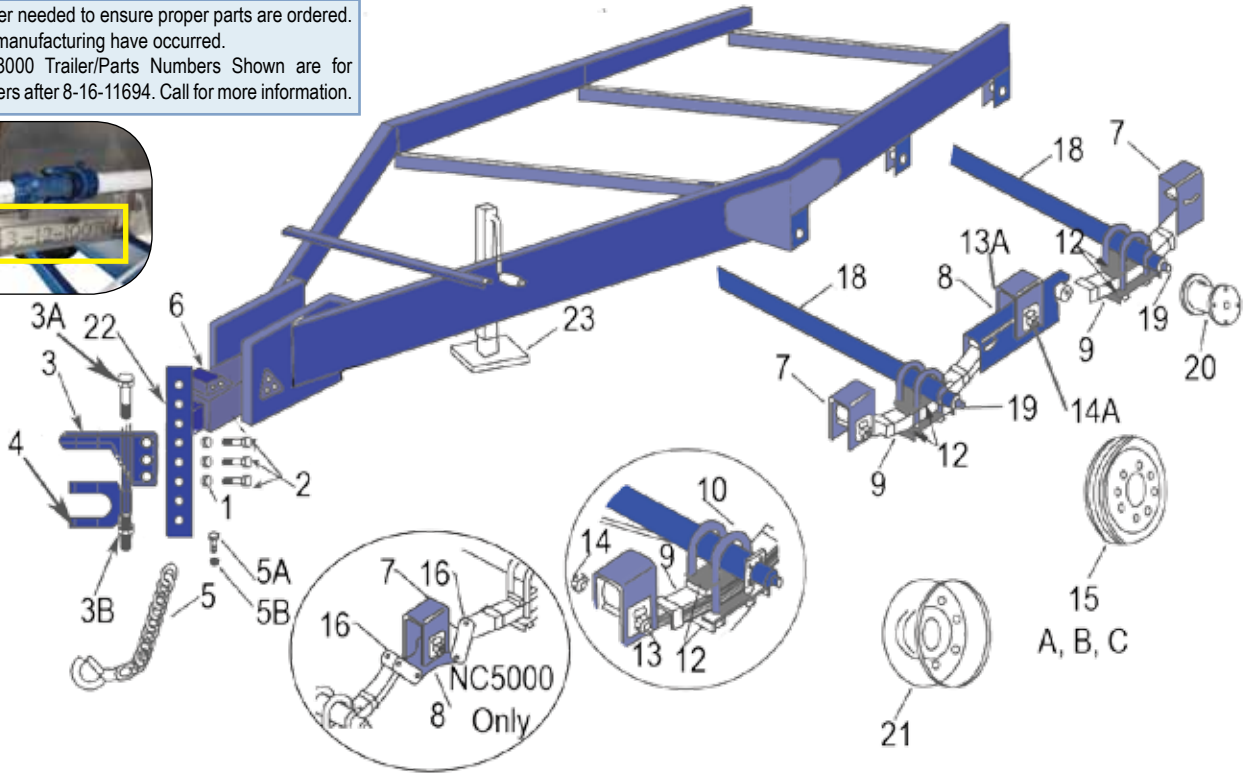
Ref. No.	Qty	Part No.	Description	Ref. No.	Qty	Part No.	Description
1	1	MS-38ROPE	Nylon Rope, 3/8" x 20'	12	1	NC-025080H	Front Guide
2	1	BN-SSLN12	SS, Lock Nut, 1/2"	13	1	PM-025080I	Front Guide Strap
3	1	BN-SSHH122	SS, Bolt, 1/2" x 2"	14	1	SR-N235028	Engaging Lever Detention Spring
4	1	PM-025080C	Drive Engager Lock	<b>To Convert to Hydraulic Cylinder Engagement</b>			
5A	1	BN-SSHH516114	SS, Bolt, 5/16" x 1 1/4"	A	1	NC-025080AN	Hydraulic Cylinder Platform
5B	1	BN-SSFW516	SS, Flat Washer, 5/16"	B	1	NC-025080AI	Hydraulic Cylinder Platform Assembly (Includes Ref A & D)
5C	1	BN-SSLN516	SS, Lock Nut, 5/16"	D	1	NC-015049AT	Hydraulic Cylinder Adjustment Bracket w/ plate and bolts
6	1	NC-025080Z	Rope Drive Engager, Various Sizes: Model Required	E	1	HC-3020	Hydraulic Cylinder
8	6	BN-SSHH38112	SS, Bolt, 3/8" x 1 1/2"	F	1	NC-025080AG	Hydraulic Engager Arm Kit Various Sizes: Model Required
9	6	BN-SSLN38	SS, Lock Nut, 3/8"	H	2	HH-849FS0808	Fitting, 1/2" NPT 1/2" JIC 90°
10	1	NC-025080J	Rear Guide	I	4	BN-SSHH38112	Bolt, 3/8"
11	1	PM-025080K	Rear Guide Strap		4	BN-SSTM38	Lock Nut, 3/8"

# 48 NC5000, NC6000, NC8000 SERIES TRAILER



COMMON NCI PARTS

Serial Number needed to ensure proper parts are ordered. Changes in manufacturing have occurred. NC6000/NC8000 Trailer/Parts Numbers Shown are for Serial Numbers after 8-16-11694. Call for more information.

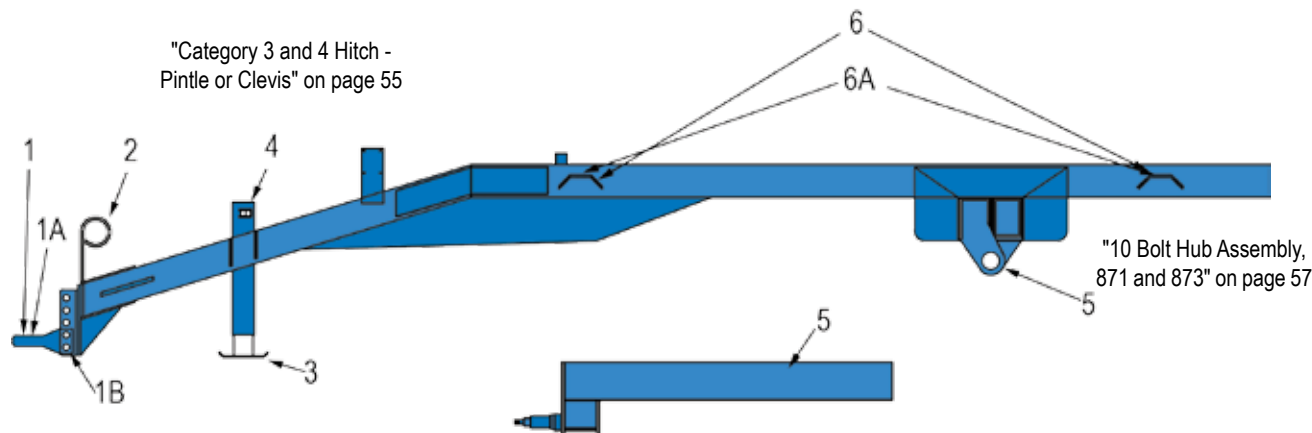


Ref No.	NC5000	NC6000 NC8000	NC8000 Brakes	Part No.	Description	Ref No.	NC5000	NC6000 NC8000	NC8000 Brakes	Part No.	Description
1	3	3	3	BN-LNGC34	Lock Nut, 3/4" Grade 8	13	6	-	-	HA-916312	Suspension Bolt & Nut
2	3	3	3	BN-HHG8347	Bolt, 3/4" x 7" Grade 8	14	6	-	-	HA-916312LN	1/16" x 3 1/2"
3	1	1	1	DI-CATEGORY3HITCH	Category 3 Hitch	13	-	4	4	HA-00726400	Spring Eye Bolt, 10K, 3/4"
3A	1	1	1	DI-CATEGORY3BOLT0	Category 3 Bolt	14	-	4	4	HA-00611300	Lock Nut, 3/4"
3B	1	1	1	DI-CATEGORY3NUT00	Category 3 Nut	13A	-	2	2	HA-00713602	Equalizer Bolt, 10K, 1" x 5 1/4"
4	1	1	1	DI-CATEGORY3CLEVIS	Category 3 Clevis	14A	-	2	2	HA-006112000	Lock Nut, 1"
5	2	2	2	CA-3FTSAFETYCHAIN	Safety Chain	15A	-	-	2	HA-608DRUM	Brake Drum, 13"
5A	2	2	2	BN-HH121234L9	Bolt, 1/2" x 1 1/4" L9	15B	-	-	1	DI-9651	Brake Plate, 13" RH
5B	2	2	2	BN-LN12L9	Lock Nut, 1/2" L9	15C	-	-	1	DI-9652	Brake Plate, 13" LH
6	-	-	1	DI-18117	Actuator w/o Clevis	16	8	-	-	PM-015047B	Shackle
7	6	-	-	BB-721585	Hanger	18	2	-	-	ST-TRC312212	Axle Tubing, 3 1/2" x 1/2" x 58 1/2"
7	-	1	1	HA-10GDH34K1	Hanger Kit Single	18	-	2	2	ST-TRC334500	Axle Tubing, 3 3/4" x 1/2" x 73 1/4"
8	2	-	-	HX-091301	Center Equalizer	19	4	-	-	HA-2873200L155000	Spindle
NA	1	-	-	HX-091401	Bushing 1/16" NC5000	19	-	4	4	HA-608SPINDLE	Spindle
8	-	1	1	HA-10GDH34K248	Hanger Kit Multi	20	1	-	-	NC-015083I	Sprocket Carrier
9	4	-	-	HX-093160	Double Eye Spring 8 Leaf	20	-	1	1	NC-015083F	Measurement Needed
9	-	4	4	HA-D07208001	Slipper Spring, 2 1/2"	21	1	-	-	WT-ASSY11X6LUG00	11L Tire x 6 Lug
10	8	-	-	BN-UB1218	U Bolt, 1/2"	21	1	-	-	WT-ASSY12X6LUG000	12L Tire x 6 Lug
10	-	8	8	BN-UBRD5820	U Bolt w/ Nuts, 3 3/4"	21	-	1	-	WT-ASSY165LX8LUG0	16.5 Tire x 8 Lug
12	8	-	-	PM-015058D	Axle Tie Down Plate*	21	-	-	1	WT-ASSY19LX8LUG00	19L Tire x 8 Lug
12	-	8	8	PM-015058E	Axle Tie Down Plate*	22	1	1	1	NC-015031F	Cat 3 Clevis Channel
						23	1	1	1	JA-190500M JA-190510M	Tongue Jack, 7000 lb Top Tongue Jack, 7000 lb Side

\*8 Axle plates per trailer - 4 axle plates are welded to the axle, 4 axle plates are loose.



NC1500, NC2000, NC3000 have the same Hubs, Spindles, Jack, and Hitch as the NC 5000. Other parts differ. Call NCI parts for assistance. Units designed for field use only.



## Model 40 High Clearance Trailer

Ref No.	Qty	Part No.	Description	Ref No.	Qty	Part No.	Description
1	1	DI-CATEGORY-4CLEVIS	Clevis, Category 4	5	2	NC-015040N	Leg Assembly, Adjustable Axle
1A	1	DI-CAT4KIT	Cat 4 Perfect Hitch Kit	6	4	NC-015049BG	Tie Down Bracket
1B	1	NC-015031G	Clevis Channel, Cat 4	6A	4	BN-HHG834412 BN-HNG834	Bolt, 3/4" x 4 1/2" Grade 8 Hex Nut, Grade 8 <i>Inspect &amp; Replace Often or as Needed</i>
1C	2	BN-HHG81X7 BN-LNG81	Bolt, Grade 8, 1" x 7" Lock Nut, Grade 8, 1"				
2	1	NC-015049K	Pigtail, MS Rod 1/2" x 30"	Serial Number & Hub Face to Hub Face measurement needed to order replacement parts			
3	1	JA-182400M	Jack, 12,000 lb	Call NCI Parts for Information for Other Tires & Rims			
4	1	JA-015181	Jack Handle				

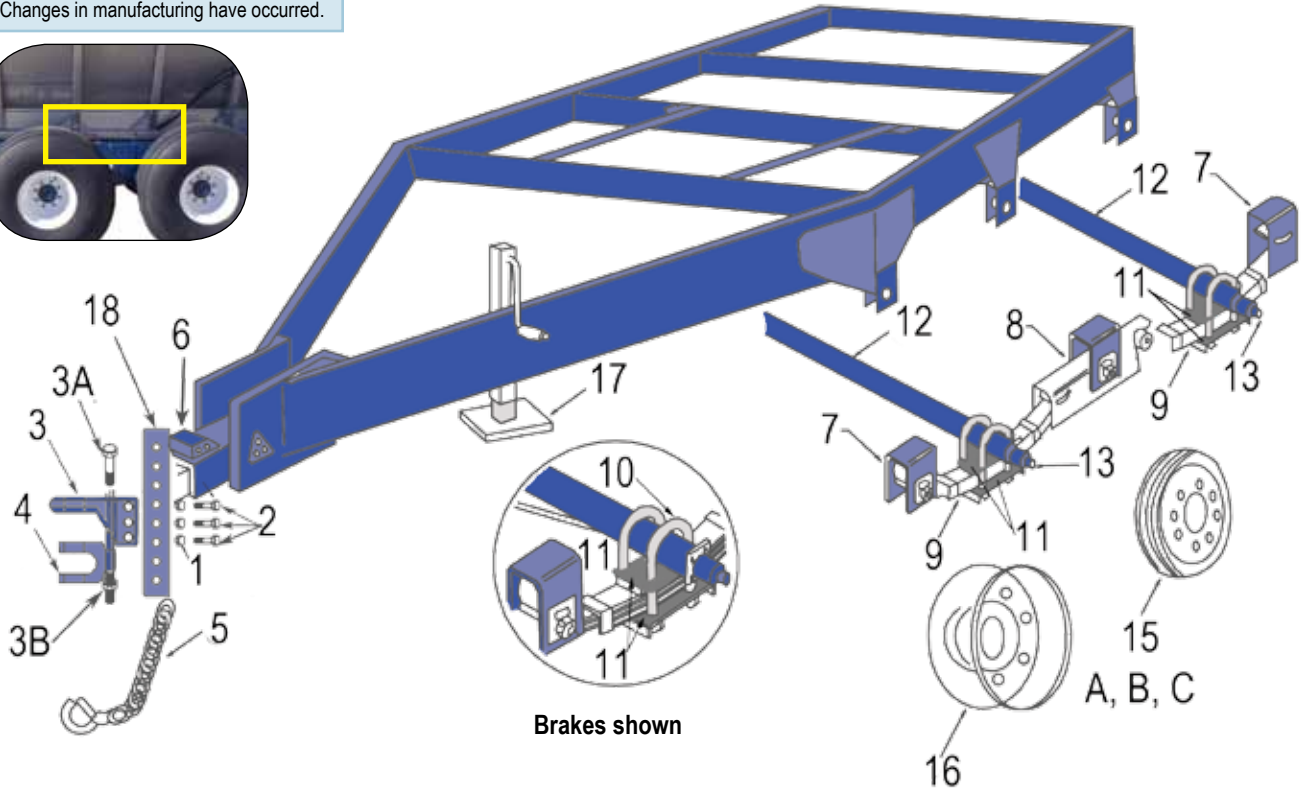


Learn about how to perform a spread pattern test by visiting [Newton Crouch Inc's YouTube Channel](#).

# 47 SPREADIT SERIES TRAILER

**COMMON NCI PARTS**

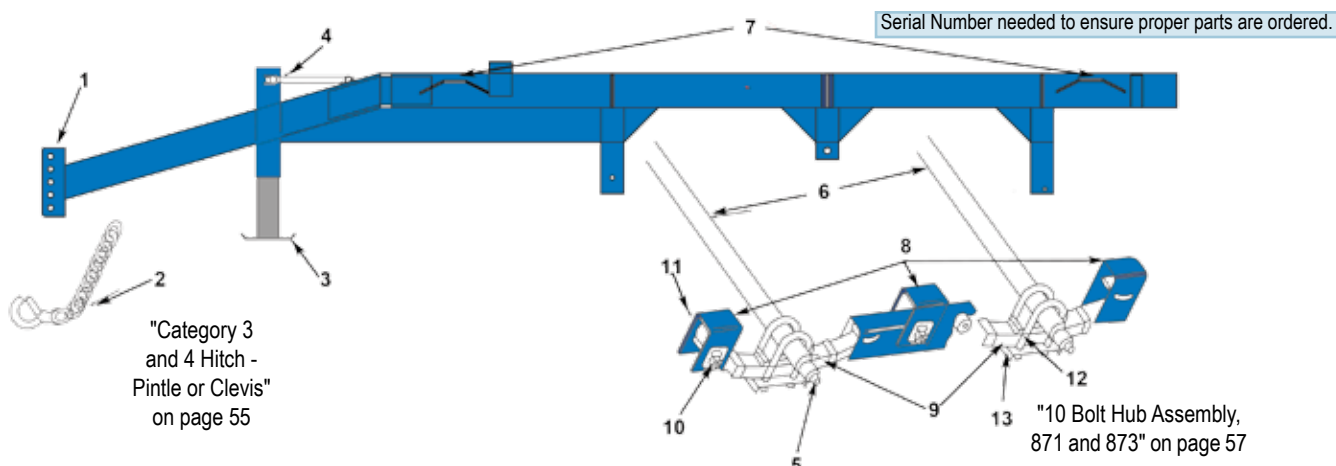
Serial Number needed to ensure proper parts are ordered. Changes in manufacturing have occurred.



## Models 47 Spreadit Series w/ 60-8 Hubs

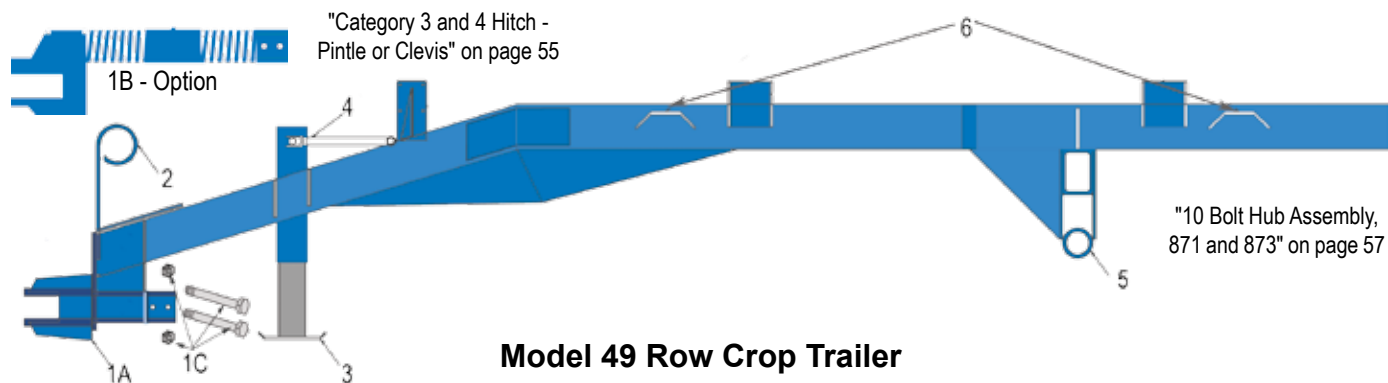
Ref No.	Spreadit No Brakes	Spreadit Brakes	Spreadit Jr No Brakes	Part No.	Description	Ref No.	Spreadit No Brakes	Spreadit Brakes	Spreadit Jr No Brakes	Part No.	Description
1	3	3	3	BN-LNGC34	Lock Nut, 3/4" Grade 8	11	8	8	-	PM-015058F	Axle Plate Tie Down, Spreadit
2	3	3	3	BN-HHG8347	Bolt, 3/4" x 7" Grade 8	11	-	-	8	PM-015058E	Axle Plate Tie Down, Spreadit Jr
3	1	1	1	DI-CATEGORY3HITCH	Category 3 Hitch	12	-	-	2	ST-TRC334500	Axle Tubing, 3 3/4" x 1/2" x 69" Long
3A	1	1	1	DI-CATEGORY3BOLT0	Category 3 Bolt	13	4	4	4	HA-608SPINDLE	60-8 Spindle
3B	1	1	1	DI-CATEGORY3NUT00	Category 3 Nut	15A	-	2	-	HA-608DRUM	Brake Drum, 13"
4	1	1	1	DI-CATEGORY3CLEVIS	Category 3 Clevis	15B	-	1	-	DI-9651	Brake Plate, 13", RH
5	2	2	2	CA-3FTSAFETYCHAIN	Safety Chain	15C	-	1	-	DI-9652	Brake Plate, 13", LH
6	-	1	-	DI-18117	Actuator	16	4	4	-	WT-ASSY19LX8LUG00	19L Tire, 8 Lug Wheel
7	-	-	1	HA-10GDH34K1	Hanger Kit, Single, Spreadit Jr	16	-	-	4	WT-ASSY165LX8LUG0	16.5L x 16.1 Tire, 8 Lug Wheel
7	1	1	-	HA-DHAP10300	Hanger Kit Single, Spreadit	17	1	1	1	JA-190500M JA-190510M	Tongue Jack, 7000 lb Top Wind Tongue Jack, 7000 lb Side Wind
8	-	-	1	HA-10GDH34K242	Hanger Kit Multi, Spreadit Jr	18	1	1	1	NC-015031F	Cat 3 Clevis Channel
8	1	1	-	HA-DHAP20303	Hanger Kit Multi, Spreadit						
9	-	-	4	HA-D07208001	Slipper Spring, Spreadit Jr						
9	4	4	-	HA-D07204401	Slipper Spring, Spreadit						
10	8	8	8	BN-UBRD5820	U Bolts w/ Nuts, 3/4"						





**Model 47H Trailer, Category 3**

Ref No.	Qty	Part No.	Description	Ref No.	Qty	Part No.	Description
1	1	NC-015031F	Clevis Channel, Cat 3 "Category 3 and 4 Hitch - Pintle or Clevis" on page 55	8	1	HA-AP-T1025HD48500	Hanger Kit, 12,000 LB, Tandem Axle
2	1	CA-5FTSAFETYCHAIN	Safety Chain, Bolt On, 5 Ft	9	4	HA-4361600	Slipper Springs, 6,000 LB
3	1	JA-182400M	Jack, 12,000 lb, 47NC Spreader	10	4	HA-34412	Bolt for Slipper Springs, 3/4" x 4 1/2"
4	1	JA-015181	Jack Handle	11	4	HA-34LN	Lock Nut, 3/4"
5	2	CN-015049AE	Spindle	12	8	BN-UBRD5824	U Bolt with Nuts
6	2	ST-TRC418500	Axle Tubing	13	8	PM-015058A	Axle Tie Down Plate
7	4	NC-015049BG	Spreader Tie Down Bracket			WT-ASSY19L10LUG	19L x 16.1 Tire and 10 Lug Wheel



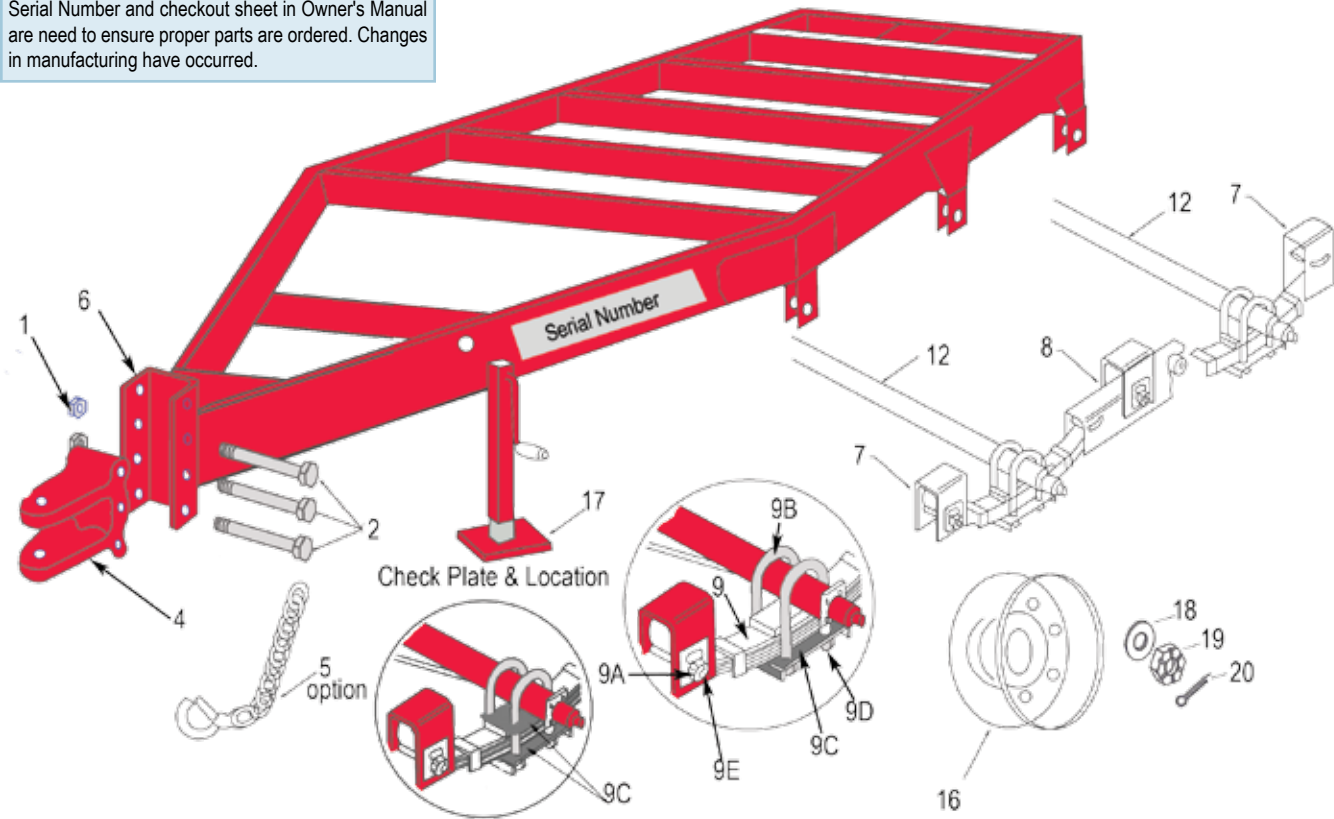
**Model 49 Row Crop Trailer**

Ref No.	Qty	Part No.	Description	Ref No.	Qty	Part No.	Description
1A	1	NC-015049AD	Swivel Hitch Assy w/ Collar Shaft	6	4	NC-015049BG	Tie Down Bracket
1B	1	NC-015049DF	Swivel Hitch Double Spring Assy	6A	4 8	BN-HHG834412 BN-HNG834	Bolt, 3/4" x 4 1/2" Grade 8 Hex Nut, Grade 8 <i>Inspect &amp; Replace Often or as Needed</i>
1C	2	BN-HH58512L9	Bolt, 5/8", Grade 9				WT-11252412
Bolts and Nuts MUST be checked often for wear and replaced regularly							
2	1	NC-015049K	Pigtail, MS Rod 1/2" x 30"			WT-81706	10 Lug Wheel, 11.25 x 28, 3" Offset
3	1	JA-182400M	Jack, 12,000 lb, 49 Spreader			WT-ASSY1125X10LUG	11.25 x 28 Tire & 10 Lug Wheel Assy
4	1	JA-015181	Jack Handle			WT-18426TURFTIRE0	18.4 x 26, 10 Ply Tire - Turf Tire
5	Serial Number & Hub Face to Hub Face measurement needed to order replacement parts					Call NCI Parts for Information for Other Tires & Rims	10 Lug Wheel for 18.4 x 26, 0 Offset

# 56 1025 NURSE TANK TRAILER, NCI & BENKE



Serial Number and checkout sheet in Owner's Manual are need to ensure proper parts are ordered. Changes in manufacturing have occurred.



COMMON NCI PARTS

## Model 56 Nurse Tank Trailer - 1025 Gallon NCI Built Trailer or Benke Built Trailer

Ref No.	NCI	Benke	Part No.	Description	Ref No.	NCI	Benke	Part No.	Description
1	3	3	BN-LN58L9	Lock Nut, 5/8" L9	12	2	-	HA-DD60	Axle Assy w/ Springs, NCI Includes 9A, 9B, 9D, 9E, & 6 Bolt Hub Assy
2	3	3	BN-HH58412L9	Bolt, 5/8" x 4 1/2" L9	12	-	2	81078	Axle Beam Only, Benke
4	1	1	DI-18078	Clevis Hitch	16	4	-	WT-ASSY11LX6LUG00	11L Tire and 6 Lug Wheel
5			CA-3FTSAFTEYCHAIN	Safety Chain w/ Bolt, Option	16	4	-	WT-ASSY12LX6LUG000	12L Tire and 6 Lug Wheel
6	1	-	NC-1234	Clevis Channel, 1025 Gal	17	1		JA-158452	Tongue Jack, 2000 lb, NCI
7	1	-	HA-DHGR238	Hanger Kit, 1025 Gal, NCI	17	-	1	81057	Swivel Jack, Benke
8	1	-	HA-DAP216	Part Kit, 1025 Gal, NCI	18	-	4	81202	Washer, Benke
8	-	1	81079	Center Equalizer, Benke	19	-	4	81203	Castle Nut, 1" x 16 UNF, Benke
9	-	4	81013	Slipper Spring 5 Leaf, Benke	20	-	4	81204	Cotter Pin, 1/8" x 2"
9A	-	4	81045	Hex Lock Nut, 9/16" x 18, Benke					
9B	-	8	81081	U Bolt, 1/2" x 7", Benke					
9C	8	-	PM-015058D	Axle Tie Down Plate, NCI					
9C	-	4	81080	Axle Tie Down Plate, Benke					
9D	-	16	81082	Nut, 20 Fine Thread, 1/2", Benke					
9E	-	4	81015	Suspension Bolt, 9/16" x 3 1/2", Benke					

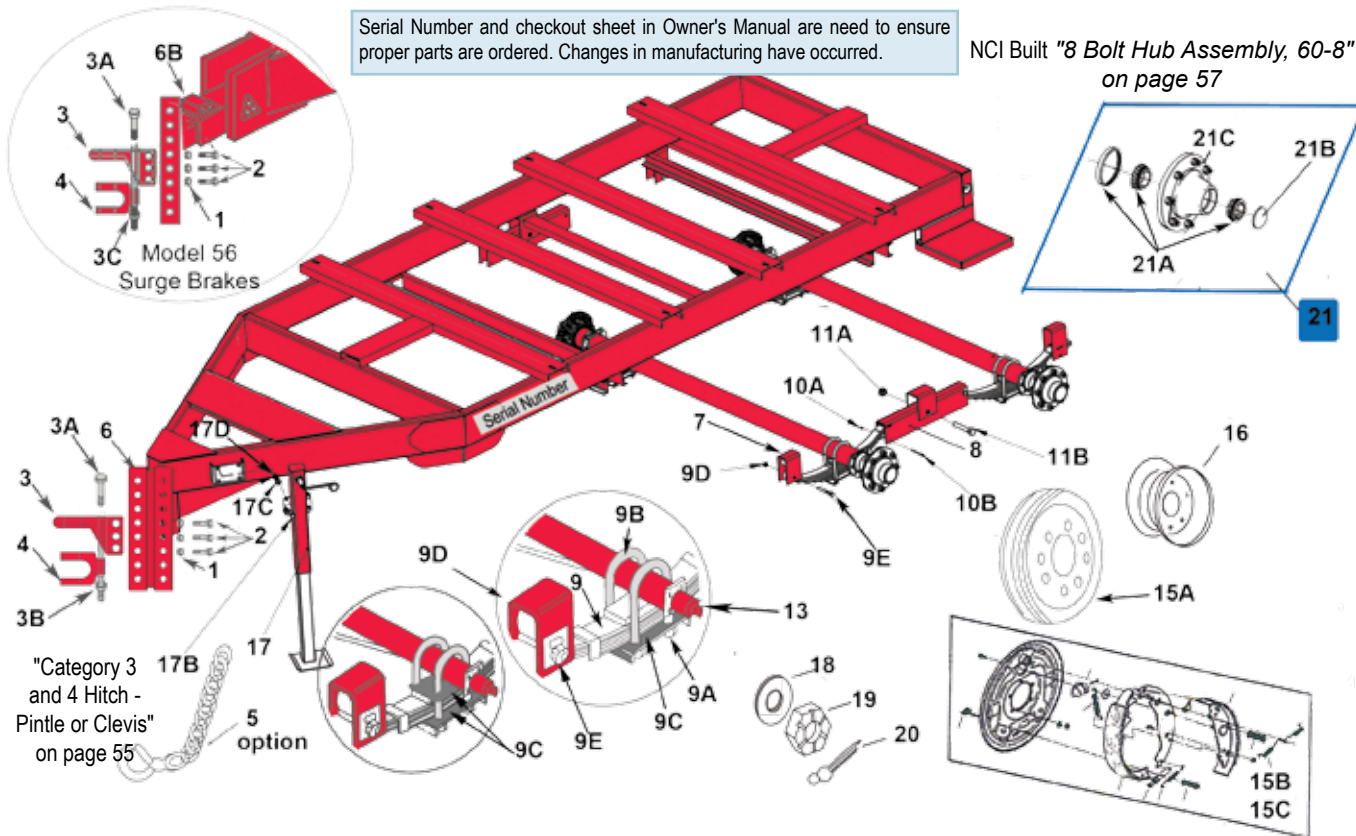
Please have your serial number ready when calling NCI Parts.

Serial Number is welded on the Nurse Tank Trailer and also on the Check Out Sheet in your Equipment Manual.



Serial Number and checkout sheet in Owner's Manual are need to ensure proper parts are ordered. Changes in manufacturing have occurred.

NCI Built "8 Bolt Hub Assembly, 60-8" on page 57

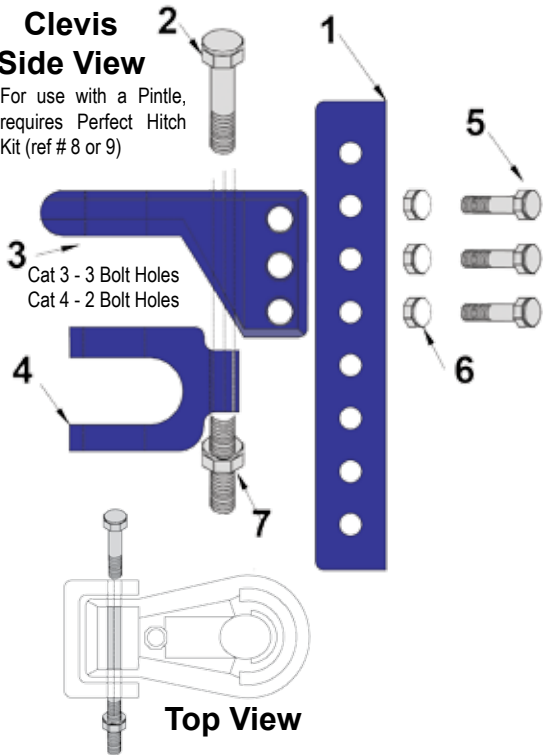


## Model 56 Nurse Tank Trailer - 1635 Gallon NCI & Benke Built

Ref No.	NCI	Benke	Part No.	Description	Ref No.	NCI	Benke	Part No.	Description
1	3	3	BN-LNGC34	Lock Nut, 3/4" Grade 8	11B	-	2	81085	Bolt, 1/8" x 5", Benke
2	3	3	BN-HHG8347	Bolt, 3/4" x 7" Grade 8	13	4	-	HA-608SPINDLE	60-8 Spindle
3	1	1	DI-CATEGORY3HITCH	Category 3 Hitch	15A	2	-	HA-608DRUM	13" Brake Drum
3A	1	1	DI-CATEGORY3BOLT0	Category 3 Bolt	15B	1	-	DI-9651	13" RH Brake Plate
3B	1	1	DI-CATEGORY3NUT00	Category 3 Nut	15C	1	-	DI-9652	13" LH Brake Plate
4	1	1	DI-CATEGYOY3CLEVIS	Category 3 Clevis	16	4	4	WT-ASSY19LX8LUG00	19L Tire and 8 Lug Wheel
5			CA-3FTSAFTEYCHAIN	Safety Chain w/ Bolt, Option	17	1	-	JA-190500MS	Jack, 7000 lb, 6 1/2 Down, NCI
6	1	-	NC-015031F	Cat 3 Clevis Channel, NCI	17	-	1	81089/Varies	Jack, TJD-700S-BEI-H, Benke
6B	1	-	DI-18117	Actuator, Brakes Only, NCI	17B	-	4	25083	Bolt, 1/2" -11 x 1 1/2"
7	1	-	HA-DHAP10500	Hanger Kit Single, NCI	17C	-	4	25230	Flat Washer, 1/2"
8	1	-	HA-DHAP20503	Hanger Kit Multi, NCI	17D	-	4	25095	Hex Nut, 1/2" - 11
8	-	1	810094	Center Equalizer, 9K, Benke	18	-	4	81202	Washer, 1", Benke
9	-	4	81084	Slipper Spring 6 Leaf, Benke	19	-	4	81203	Castle Nut, 1" Benke
9A	-	16	81088	Bolt Hex Lock Nut, 5/8", Benke	20	-	4	81204	Cotter Pin, 1", Benke
9B	-	8	24475	U Bolt, 5/8" x 11", Benke	21	4	-	HA-608HUBBASSY	Hub Assy, 8 Bolt, Complete w/ Bearing, Includes 21A, 21B, 21C
9C	8	-	PM-015058E	Axle Tie Down Plate, NCI	21	-	4	81031	Hub Assy, 8 Bolt, Complete w/ Bearing, Includes 21A, 21B, 21C
9C	-	4	21149	Axle Tie Down Plate, Benke	21A	-	4	81029	Bearing and Seal Only, Benke
9D	-	4	25095	Nut, 5/8" x 11, Benke	21B	-	4	81028	Dust Cap Only, Benke
9E	-	4	81087	Suspension Bolt, 5/8" x 4", Benke	21C	-	4	81032	Hub Only, 8 Bolt
10A	-	4	81090	Hex Nut, 5/16" - 18, Benke					
10B	-	4	81091	Bolt, 5/16"-18 x 3 1/4", Benke					
11A	-	2	81086	Hex Nut, 1-8, Benke					

Have serial number ready when calling NCI Parts.

**Clevis Side View**  
For use with a Pintle, requires Perfect Hitch Kit (ref # 8 or 9)



**Category 3 Hitch**

- Vertical mounting hitch
- Vertical load 6,600 lb
- 3 Bolt
- Max drawpin size 1.5" for 40° of roll

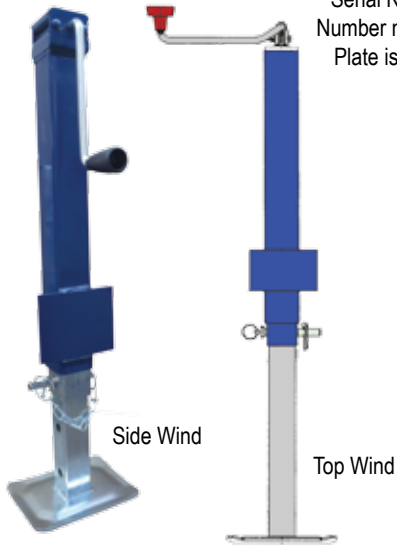
**Category 4 Hitch**

- Vertical mounting hitch
- Vertical load 7,500 lb
- 2 Bolt
- Max drawpin size 2" for 40° of roll

**Category 3 and 4 Hitch - Pintle or Clevis**

Ref No.	Cat 3	Cat 4	Part No.	Description
1	1	-	DI-CATEGORY3BRKT	Clevis Channel w/ Brakes, Cat 3
1	1	-	NC-015031F	Clevis Channel w/o Brakes, Cat 3
1	-	1	NC-015031G	Clevis Channel, Cat 4
2	1	1	DI-CATEGORY3BOLT0	Bolt, Category 3 or 4
3	1	-	DI-CATEGORY3HITCH	Hitch, Category 3 (Shown)
3	-	1	DI-CATEGORY4HITCH	Hitch, Category 4 (Two Holes)
4	1	-	DI-CATEGROY3CLEVIS	Clevis, Category 3
4	-	1	DI-CATEGROY4CLEVIS	Clevis, Category 4
5	3	-	BN-HHG8347	Bolt, 3/4" x 7" Grade 8, Cat 3
5	-	2	BN-HH1XG8	Bolt, 1" x 8", Grade 8, Cat 4
6	3	-	BN-LNGC34	Lock Nut, 3/4" Grade 8, Cat 3
6	-	2	BN-LNG81	Lock Nut, 1", Grade 8, Cat 4
7	1	1	DI-CATEGORY3NUT00	Nut, Category 3 or 4
1	-	-	DI-CAT3KIT	Perfect Hitch Kit, Cat 3
-	-	1	DI-CAT4KIT	Perfect Hitch Kit, Cat 4

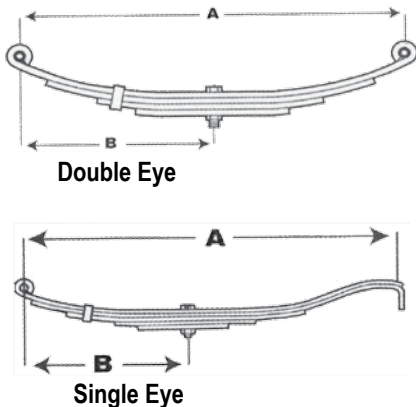
Serial Number and/or Model Number needed to ensure Jack Plate is welded on correctly



**Jacks**

Part No.	Description	Model	Attach to Trailer
JA-158452	2,000 lb Tongue Jack	561025, NCI	Swivel
81057	2,000 lb Tongue Jack	561025, Benke	Swivel
JA-190500M	7,000 lb Tongue Jack, Topwind	45300,45500, 46, 47NC, 48, 57	Slide Plate
JA-190500MS	7,000 lb Tongue Jack, Various	561635, NCI	Bolt, 6 1/2 Down
81089/Varies	7,000 lb Tongue Jack, Various	561635, Benke	Bolt On
JA-190510M	7,000 Lb Tongue Jack, Sidewind	58TB	Slide Plate
JA-182400	12,000 lb Jack, 63" Full Extension Drop Leg	31, 41	Welded On
JA-182400M	12,000 lb Jack, 63" Full Extension Drop Leg w/ Plate	40, 47H, 49; Plate Placement Dependant on Model	Bolt On
JA-015181	12,000 lb Jack Handle	31, 40, 41, 47H, 49	Bolt onto Jack

**Slipper Springs and Eye Springs**

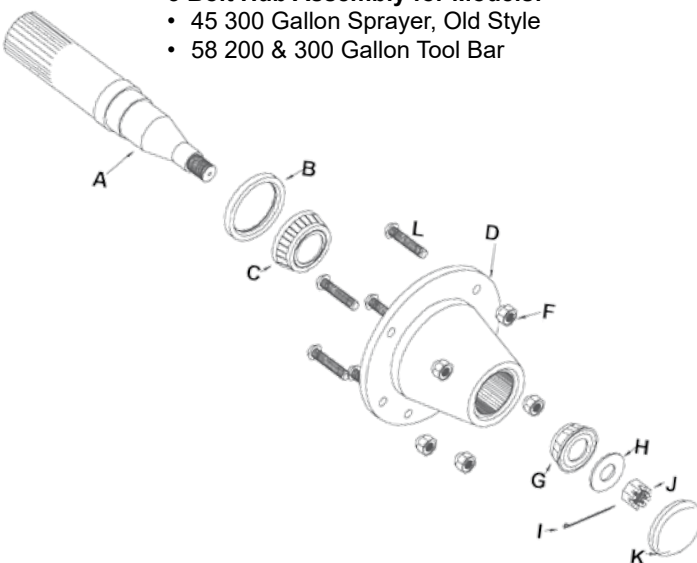


Part No.	Model	Hopper	No of Leaves	Capacity	A	B	Width	Eye Diameter
HA-D07208001	47 Spreadit JR	6 Ton	5	5000 lb	30"	13 1/2"	2 1/2"	3/4"
HA-D07204401	47 Spreadit	8 Ton	6	6000 lb	30"	13 3/8"	3"	1"
HX-093160	48 NC5000	6 Ton	5	3300 lb	24 7/8"	12 5/8"	1 3/4"	Two 5/16"
HA-D07208001	48 NC6000 48 NC8000	6 Ton 8 Ton	5	5000 lb	30"	13 1/2"	2 1/2"	3/4"
BB-81013	561025 Benke	1025 Gal	5	-	26 1/2"	11 1/2"	2"	1/2"
HA-D07201002	561635	1635 Gal	6	4500 lb	30"	13 1/8"	2"	5/8"



## 5 Bolt Hub Assembly

Ref	Qty	Part No.	Description
A	1	CN-015045DS	Spindle
B	1	HA-9062951	Hub Seal
C	1	HA-9102621	Bearing Inner
D	1	HA-2810100	Hub Assembly
D	1	HA-2810100M	Hub Assembly (Must be Turned Down to Fit Sprocket Carrier)
F	5	HA-913549	Lug Nuts
G	1	HA-9102591	Bearing Outer
H	1	HA-9136071	Spindle Washer
I	1	HA-9059368	Cotter Pin
J	1	HA-9129531	Spindle Nut
K	1	HA-9099051	Hub Cap
L	5	HA-943536	LD Stud for Tool Bar

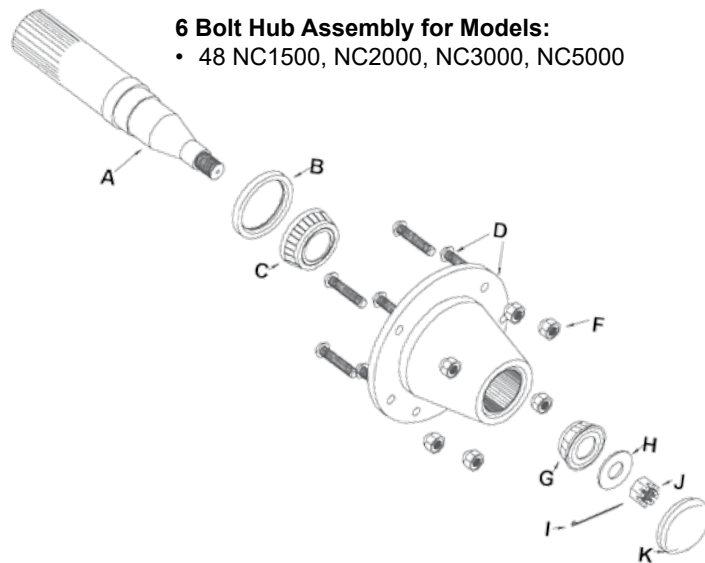


### 5 Bolt Hub Assembly for Models:

- 45 300 Gallon Sprayer, Old Style
- 58 200 & 300 Gallon Tool Bar

## 6 Bolt Hub Assembly

Ref	Qty	Part No.	Description
A	1	HA-2873200L155000	Spindle
B	1	SE-CR22368	Seal
C	1	HA-9102731	Bearing Inner
D	1	HA-2878900	Hub
D	1	HA-2878800	Hub Drilled & Tapped for Brake Drum
D	1	TI-44047	Brake Drum, 6 Bolt, 12"
F	6	BN-9129271	Lug Nuts
G	1	HA-9102591	Bearing Outer
H	1	HA-9136071	Spindle Washer
I	1	HA-9059368	Cotter Pin
J	1	HA-9129521	Spindle Nut
K	1	HA-9099051	Hub Cap

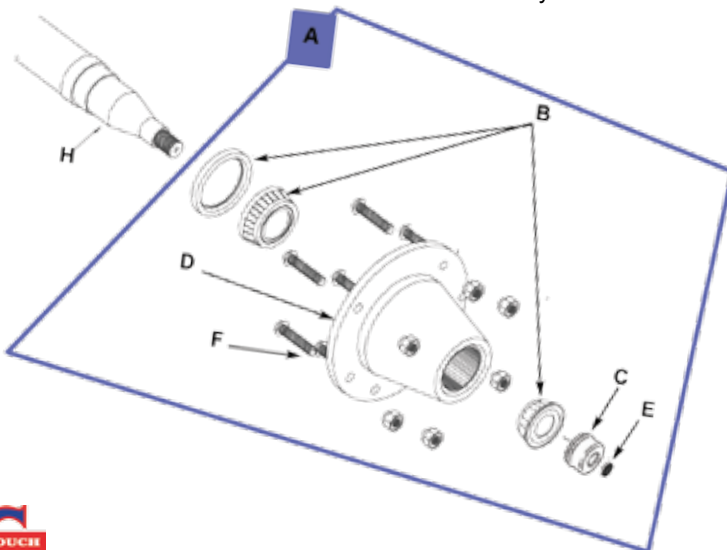


### 6 Bolt Hub Assembly for Models:

- 48 NC1500, NC2000, NC3000, NC5000

## 6 Bolt Hub Assembly, Benke

Ref	Qty	Part No.	Description
A	1	81023	Hub, 6 Bolt Complete w/ Bearing includes B-F
B	1	81027	Bearings and Seal Only
C	1	81024	Dust Cap Only
D	1	81026	Hub, 6 Bolt Only
E	1	81025	Rubber Insert for Cap
F	6	81046	Lug Bolt, 3/16"
H	1	81078	Axle Beam Only



### 6 Bolt Hub Assembly for Models:

- 56 Nurse Trailer 1025 Gallon Built by Benke

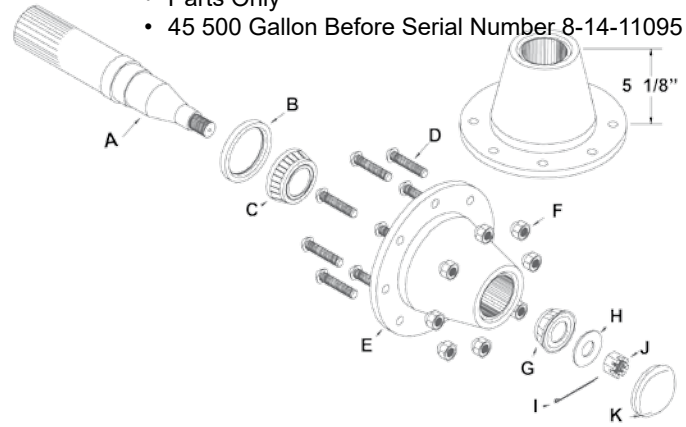
# HUB ASSEMBLIES, 8 & 10 BOLT

## 8 Bolt Hub Assy, Parts Only

Ref	Qty	Part No.	Description
A	1	CN-01504AS	LD Spindle
B	1	SE-CR25091	LD Seal
C	1	BR-3780	LD Bearing
D	8	HA-9135481	LD Lug Studs
E	1	HA-2806700	LD Hub Assy, 8 Bolt
F	8	HA-913549	LD Lug Nut
G	1	BR-2790	LD Bearing
H	1	HA-9136831	LD Spindle Washer
I	1	HA-9059368	LD Cotter Pin
J	1	HA-9129521	LD Spindle Nut
K	1	HA-9099820	LD Hub Cap

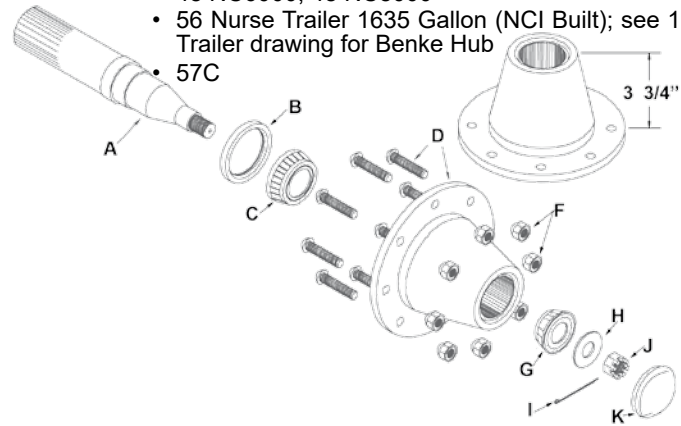
## 8 Bolt Hub Assembly (Old Style) for:

- Parts Only
- 45 500 Gallon Before Serial Number 8-14-11095



## 8 Bolt Hub Assembly, 60-8 for Models:

- 41 Grove Spreader - 8 Foot
- 45 Pull Type Sprayers, 500 Gal & 1000 Tandem
- 46 Orchard / Forestry
- 47 Spreadit & Spreadit Junior
- 48 NC6000, 48 NC8000
- 56 Nurse Trailer 1635 Gallon (NCI Built); see 1635 Trailer drawing for Benke Hub
- 57C

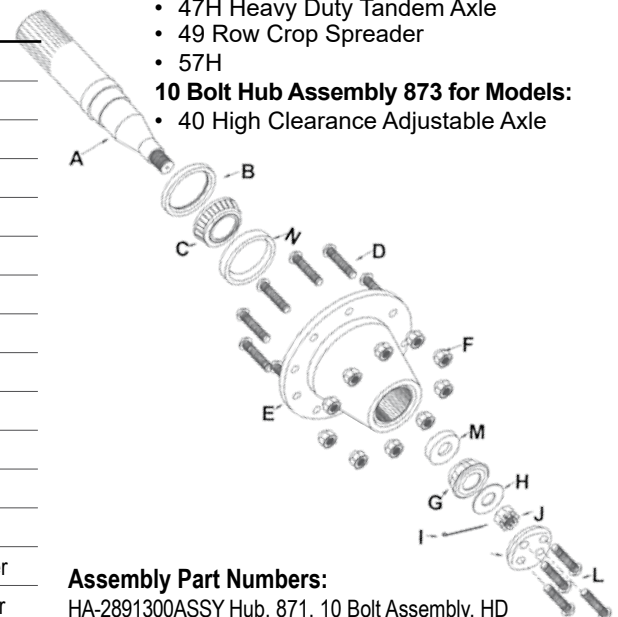


## 8 Bolt Hub Assembly, 60-8

Ref	Qty	Part No.	Description
A	1	HA-608SPINDLE	60-8 Spindle
B	1	HA-608SEAL	60-8 Seal
C	1	HA-608BEARI	60-8 Bearing, Inner
D	1	HA-608HUBB	60-8 Hub w/ Studs
F	8	HA-608LUGNUT	60-8 Lug Nut
G	1	HA-608BEARO	60-8 Bearing, Outer
H	1	HA-608758SPINWAS0	60-8 & 75-8 Spindle Washer
I	1	HA-608758SPINPIN0	60-8 & 75-8 Cotter Pin
J	1	HA-608758SPINNUTO	60-8 & 75-8 Spindle Nut
K	1	HA-608HUBCAP	60-8 Hub Cap
		HA-608INNERRACE	Inner Race
		HA-608OUTERRACE	Outer Race

## 10 Bolt Hub Assembly, 871 and 873

Ref	Qty	871 Part No.	873 Part No.	Description
A	1	CN-015049AE	HA-873SPINDLE	Heavy Duty Spindle
B	1	SE-30087	SE-33772CR	Heavy Duty Seal
C	1	BR-39585	BR-33275	Heavy Bearing, Inner
D	1	HA-9135641	HA-9135641	Heavy Duty Lug Studs
E	1	HA-2891300	HA-873HUBASSY	Heavy Duty Assy, 10 Bolt
F	10	HA-9129351	HA-9129351	Heavy Duty Lug Assy
G	1	BR-4600	BR-4600	Heavy Duty Bearing, Outer
H	1	HA-9136321	HA-9136321	Heavy Duty Spindle Washer
I	1	HA-9059441	HA-9059441	Heavy Duty Cotter Pin
J	1	HA-9129691	HA-9129691	Heavy Duty Spindle Nut
K	1	HA-9099831	HA-9099831	Heavy Duty Hub Cap
L	4	HA-9052098	HA-9052098	Heavy Duty Hub Cap Bolts
M	1	BR-453A	BR-453A	Heavy Duty Bearing Race, Outer
N	1	BR-39520	HA-33462	Heavy Duty Bearing Race, Inner



## 10 Bolt Hub Assembly 871 for Models:

- 41 Grove Spreader - 10 Foot
- 45 1000 Gallon Sprayer
- 47H Heavy Duty Tandem Axle
- 49 Row Crop Spreader
- 57H

## 10 Bolt Hub Assembly 873 for Models:

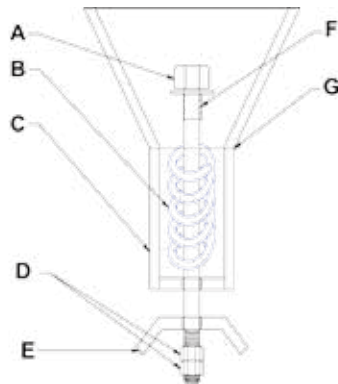
- 40 High Clearance Adjustable Axle

## Assembly Part Numbers:

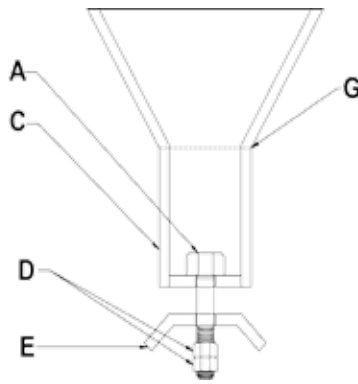
HA-2891300ASSY Hub, 871, 10 Bolt Assembly, HD  
(ref B,C,D,E,F, G, K,L,M,N)

HA-2891300SK Spindle Kit Assembly (ref H,I,J)

## FORWARD MOUNT



## REAR MOUNT

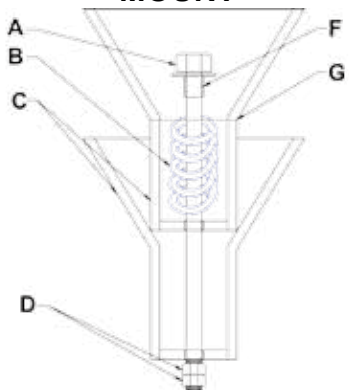


### Single "V" Tie Down

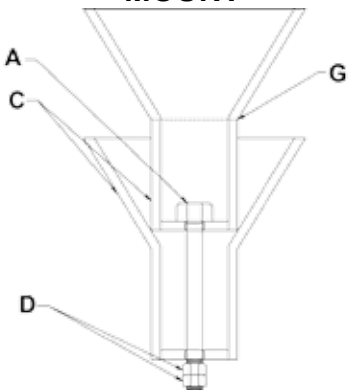
Ref No.	Qty	Part No.	Description
A	1	BN-HHG8347	Grade 8 Bolt, 3/4" x 7"
A1	1	BN-HHG834412	Grade 8 Bolt, 3/4" x 4 1/2"
B	1	NC-015040I	Spring, 3 1/2"
C	2	NC-0*5040D	Tie Down
D	2	BN-HNG834	Hex Nut, 3/4"
E	1	NC-0*5049BG	Tie Down Bracket, RC
F	1	MS-TV103	Spring Insert
G	1	PM-0*5040N	Tie Down Spacer Plate
		NC-0*5040L	Single Front Tie Down Assy
		NC-0*5040M	Single Rear Tie Down Assy

\* Specify Mild or Stainless Steel. Replace \* with 1=Mild Steel or 2= Stainless

## FORWARD MOUNT



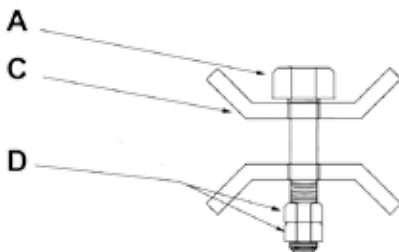
## REAR MOUNT



### Double "V" Tie Down

Ref No.	Qty	Part No.	Description
A	1	BN-HHG8349	Grade 8 Bolt, 3/4" x 9"
A1	1	BN-HHG834412	Grade 8 Bolt, 3/4" x 11"
B	1	NC-015040I	Spring, 3 1/2"
C	2	NC-0*5040D	Tie Down
D	2	BN-HNG834	Hex Nut, 3/4"
F	1	MS-TV103	Spring Insert
G	1	PM-0*5040N	Tie Down Spacer Plate
		NC-0*5040J	Double Front Tie Down Assy
		NC-0*5040K	Double Rear Tie Down Assy

\* Specify Mild or Stainless Steel. Replace \* with 1=Mild Steel or 2= Stainless



### Pull Type Tie Downs

Ref No.	Qty	Part No.	Description
A	1	BN-HHG834412	Bolt, 3/4" x 4 1/2" Grade 8
C	2	NC-015049BG	Tie Down Bracket, 47, 49
D	2	BN-HNG834	Hex Nut, Grade 8

\* Specify Mild or Stainless Steel. Replace \* with 1=Mild Steel or 2= Stainless

Bolts and Nuts must be inspected for wear regularly.  
Replace with signs of wear or on a yearly basis.

# SPRAYER COMMON PARTS

### Guidance



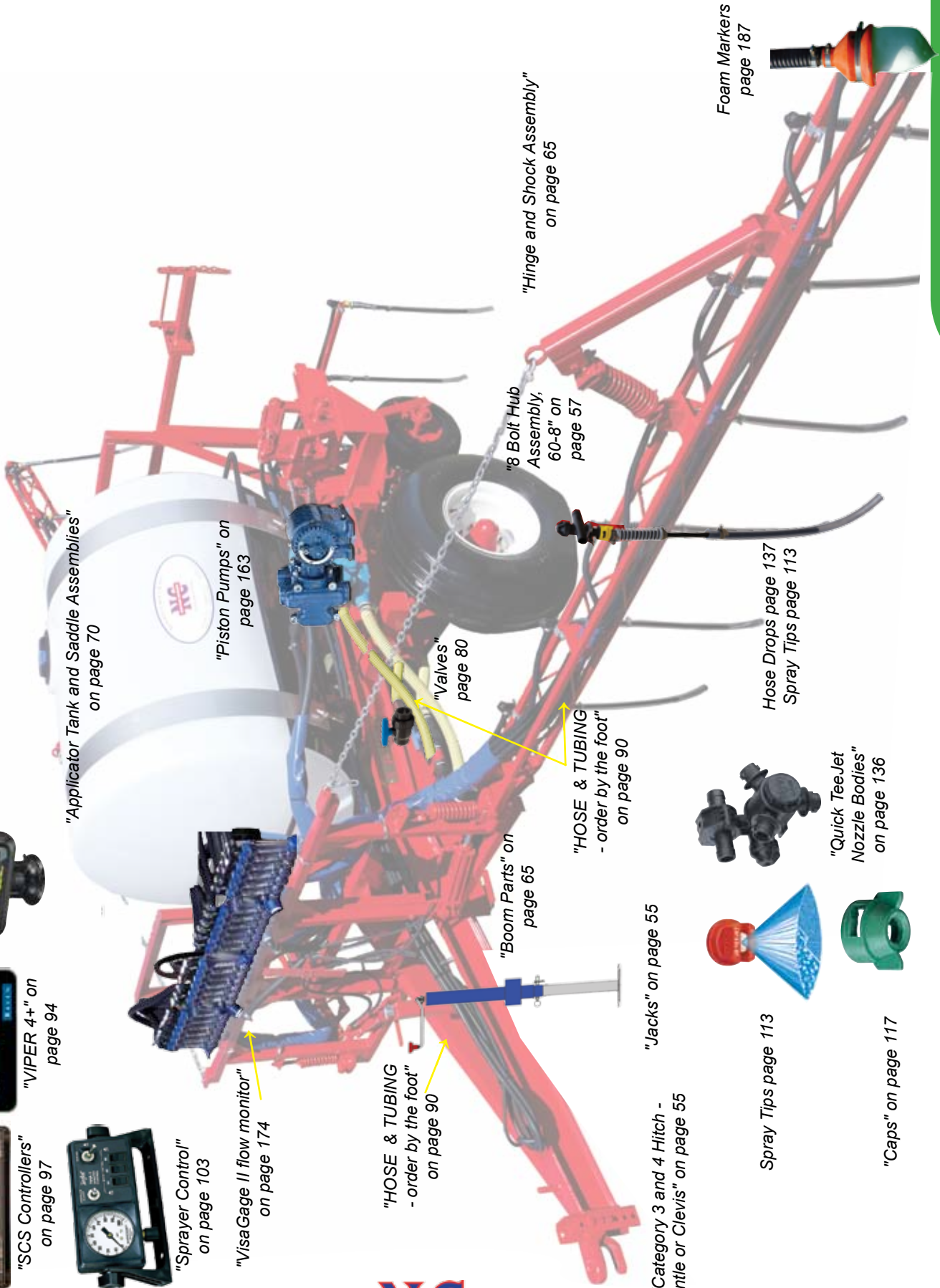
"SCS Controllers" on page 97



"VIPER 4+" on page 94



"Teetjeet Guidance System Guide" on page 99



"Applicator Tank and Saddle Assemblies" on page 70

"Piston Pumps" on page 163

"VisaGage II flow monitor" on page 174

"Sprayer Control" on page 103

"HOSE & TUBING - order by the foot" on page 90

"Boom Parts" on page 65

"Valves" on page 80

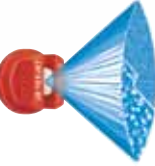
"HOSE & TUBING - order by the foot" on page 90

"8 Bolt Hub Assembly, 60-8" on page 57

"Hinge and Shock Assembly" on page 65

"Category 3 and 4 Hitch - Pintle or Clevis" on page 55

"Jacks" on page 55



Spray Tips page 113



"Caps" on page 117



"Quick TeeJet Nozzle Bodies" on page 136

Hose Drops page 137  
Spray Tips page 113

Foam Markers page 187



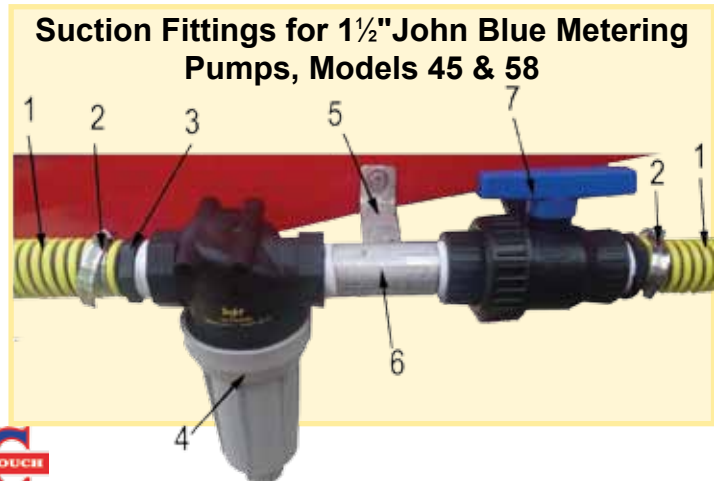
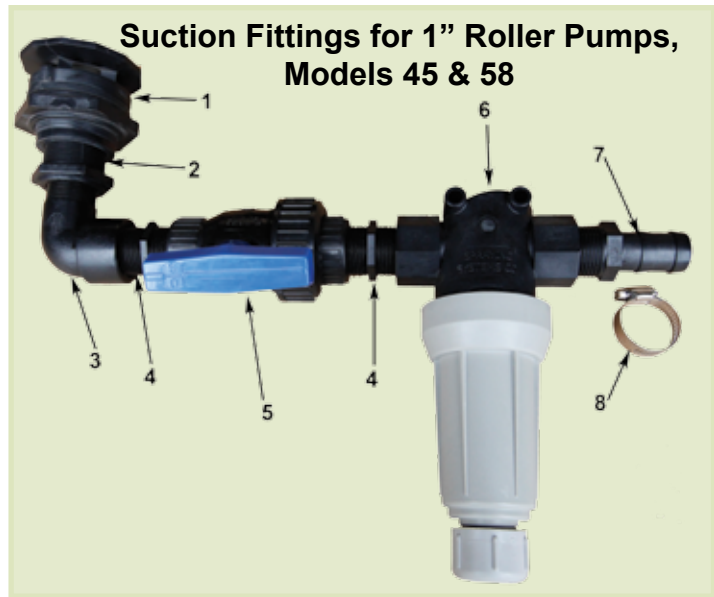
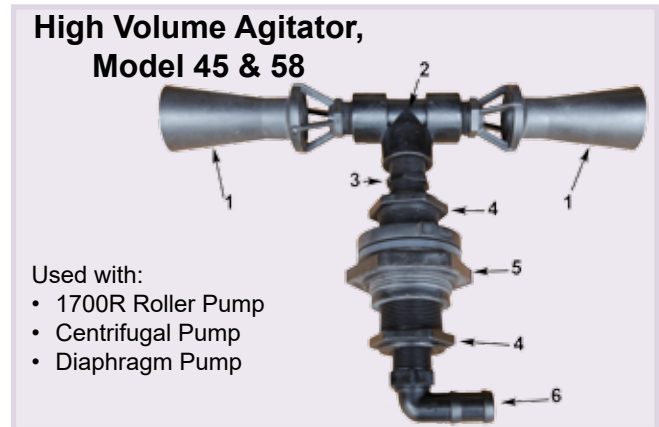
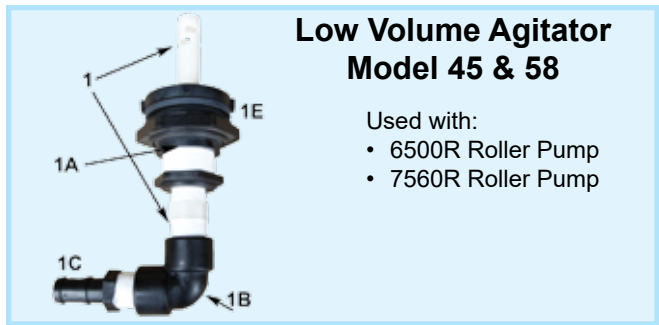


Ref	Qty	Part No.	Description
<b>Low Volume Agitator</b>			
1	1	HY-CP33710019	Agitator, Low Volume
1A	1	TP-RB125075	1 1/4" to 3/4" Reducer
1B	1	TP-EL07590	3/4" Elbow
1C	1	TP-HB075	3/4" Hose Barb
1E	1	TK-CP60403	Tank Bulkhead Fitting, 1 1/4"
-	1	CL-1200	3/4" Hose Clamp

<b>High Volume Agitator</b>			
1	2	HY-CP33710028	Agitator, High Volume, Barreled
2	1	TP-TEE075	3/4" Tee
3	1	TP-NIP075SH	3/4" Nipple
4	2	TP-RB125075	1 1/4" to 3/4" Reducer
5	1	TP-CP60403	Tank fitting
6	1	TP-HB07590	3/4" Hose Barb 90°
-	1	CL-1200	3/4" Hose Clamp

<b>Suction Fittings for 1" Roller Pump</b>			
1	1	TK-CP63065	Tank Fitting, 1 1/4" Anti-Vortex
2	1	TP-RB125100	1 1/4" to 1" Reducer
3	1	TP-SL10090	1" Street Elbow 90°
4	2	TP-NIP100SH	1" Nipple
5	1	VL-BV60411	1" Union Ball Valve
6	1	SS-AA126ML450	1" Line Strainer
7	1	TP-HB100	1" Hose Barb
8	1	CL-1600	1" Hose Clamp

<b>Suction Fittings John Blue 1 1/2" Metering Pumps</b>			
1		HO-SHBB112	1 1/2" Suction Hose, Helix
2	3	CL-3200	1 1/2" Hose Clamp
3	1	TP-HB150	1 1/2" Hose Barb
4	1	SS-AA126ML650	1 1/2" Line Strainer 50 Mesh Red
4	1	SS-AA126ML630	1 1/2" Line Strainer 30 Mesh Yellow
5	1	NC-025045FF-SS	Strainer Bracket
6		FS-M1125SS	1 1/2" x 5" Nipple, Stainless
7	2	VL-BV60413	1 1/2" Union Ball Valve



# ARAG BOOM VALVE ELECTRIC

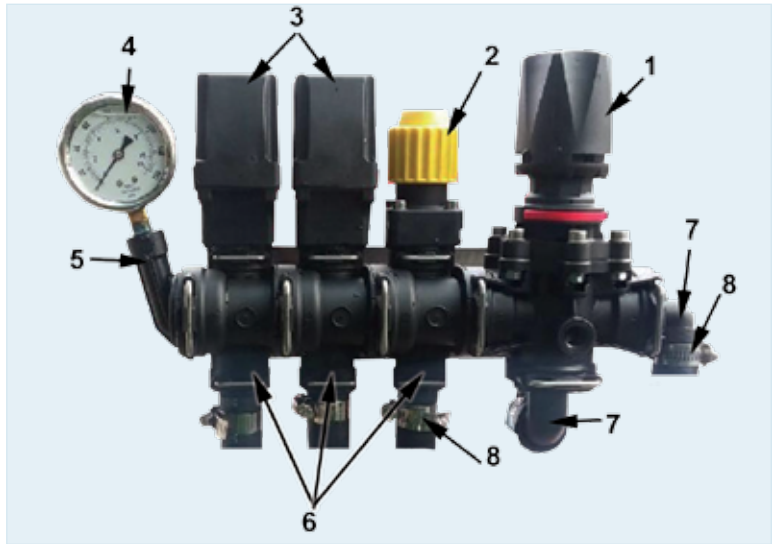
## Roller Pump – 1700C or 1500C – Relief Valve, Manual Agitation, (2) 863T 2-Way, Pressure Gauge

Ref	Qty	Part No.	Description
1	1	AR-45551	Manual Pressure Relief Valve
2	1	AR-463T074	Manual Propor Valve, T5M, 150L/M
3	2	AR-863T001	Electric Valve 863T, T5, T3
4	1	GA-GG160	2" Liquid Filled Pressure Gauge
5	1	AR-219350N	Pressure Gauge Adapter, T5M
6	2	AR-1091320	Hose Tail, 3/4" T3M
7	2	AR-1191520	Elbow, 3/4" T5M
8	5	CI-1200	Hose Clamp, 3/4" Stainless

With Roller Pump 7560 or smaller, omit manual prop valve and use PRV for agitation.

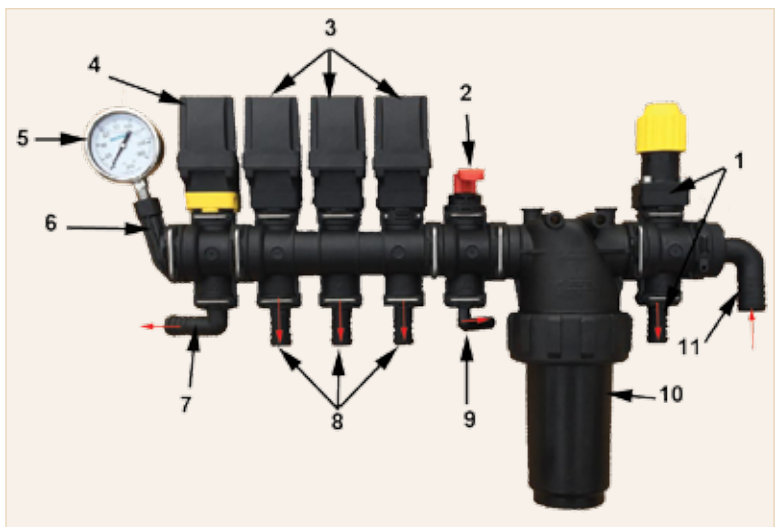
### Important Notes About ARAG Boom Valve Electric:

- Require matched switch box.
- Can be configured to various needs - within GPM limits.
- Up to five 863T electric 2-way or 3-way valves can be configured with manual agitation, strainer and relief valve.



## Diaphragm w/ Relief or Centrifugal – Manual Agitation, Strainer, Manual On/Off, (3) 863T 2-Way On/Off, Regulator, Pressure Gauge

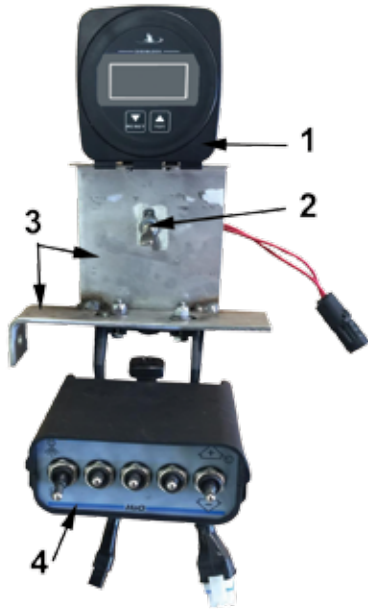
Ref	Part No.	Description
1	AR-463T074	Manual Prop Valve, T5M, 3/4" or 1"
2	AR-463T051	1-Way Manual Selection Valve for Handgun, Optional
3	AR-863T003	Valve Assembly, T5, T3
4	AR-863T020	Regulator, 100 L/M
5	GA-GG160	2" Gauge with Brass Stem
6	AR-219350N	Pressure Gauge Adapter, T5M
7	AR-1191320	Elbow, 3/4" T3M
8	AR-1091320	Hose Tail, 3/4" T3M
9	AR-1191313	Elbow, 1/2" T3M
10	AR-32620M3	Fork Coup Standard Line Strainer, 50 Mesh, 290 PSI, 55 GPM, T5M/T5F
11	AR-1191525	Elbow T5M D.25-1"
NS	AR-475551	Manual Pressure Relief Valve <i>Required with Roller Pump</i>



## Diaphragm w/o Relief or Roller Pump - 1700C or 1500C – Relief Valve, Strainer, Manual Agitation, (5) 863T On/Off 2-Way, Electric Regulator, Pressure Gauge

Ref	Qty	Part No.	Description
1	2	AR-1191525	Elbow T5M D.25-1"
2	1	AR-475552	Manual Pressure Relief Valve
3	1	AR-32620M3	Line Filter T5M/T5F, 50 Mesh
4	1	AR-463T074	Manual Propor Valve, 150 L/M 1"
5	1	AR-863T003	3-Way Electric Valves (3)
6	2	AR-863T001	3-Way Electric Valve (1)
7	1	AR-863T020	Prop. Electric Valve, 100 L/M
8	1	AR-219350G	Pressure Gauge Adapter, T5M
9	5	AR-1091320	Hosetail T3M D.20, 3/4"
10	1	AR-1191320	Elbow T3M D.20, 3/4"
NS	1	AR-91031001	Control Box, P50 H20, 3 Wires (Optional, Not Shown)

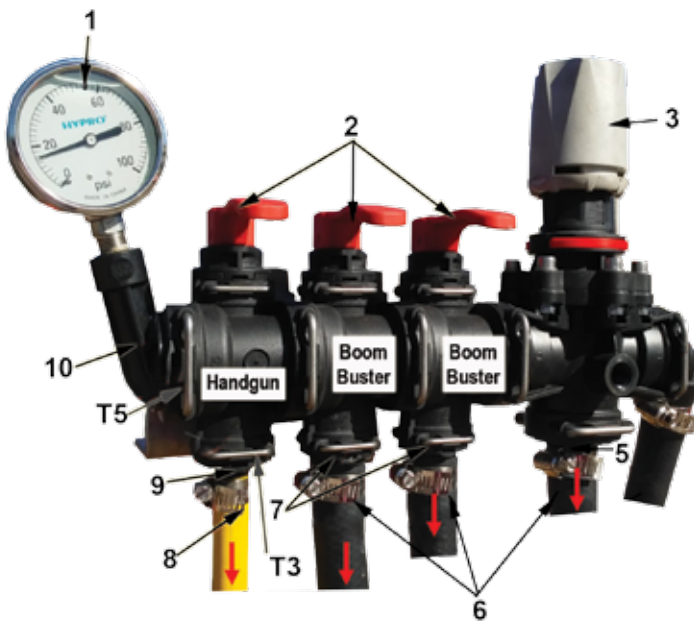




### Digital Pressure Gauge Kit

Ref	Part No.	Description
1	AR-46683B	Digital Pressure Gauge Kit
2	LW-44224	On/Off Switch with Chrome Handle
3	NC-025051	NCI Mounting Bracket, Stainless
4	AR-91031001	Master 3 On/Off for 3 Wire Motor Regulator Control
-	AR466112X200 AR-219350G	Pressure Transducer 290 PSI Adapter for Pressure Transducer
-	AR-901208	2 On/Off for 3 Wire Motor Regulator Control
-	AR-9190493	Extension Cable, 9 Ft, for P50

### Roller Pump 6500C or 7560C w/ Relief, (3) 2-Way Manual Valves, Pressure Gauge

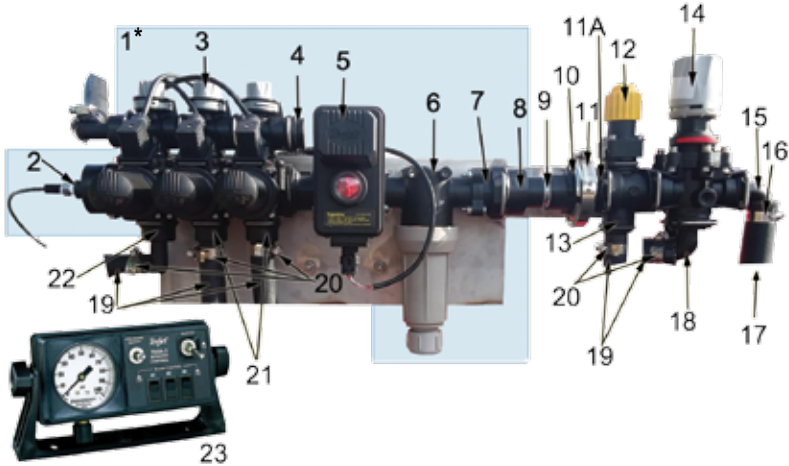


Ref	Part No.	Description
1	GA-GGSS100	100 PSI Liquid Filled Pressure Gauge, SS
2	AR-463T051	2-Way Manual Selection Valve, T5, T3
3	AR-475552	Manual Pressure Relief Valve, T5F, Reg 290 PSI
4	AR-1191520	Hose Tail, 3/4" 90°, T5M
5	AR-1091520	Hose Tail, 3/4", T5M
6	HO-34200 CL-1200	Spray Hose, 3/4" Hose Clamp, 3/4" Stainless
7	AR-1091320	Hose Tail, 3/4", T3M
8	HO-38600 CL-0600	Spray Hose, 3/8" Yellow, 600 PSI Hose Clamp, 3/8" Stainless
9	AR-1091310	Hose Tail, 3/8", T3M
10	AR-219350N	Pressure Gauge Adapter, T5M

ARAG Forks & Gaskets	
AR-010003	Fork, 3/4" T3 Fork
AR-010005	Fork, T5 Fork
Gaskets are located at each connection point internally. Gasket cannot be seen in schematic pictures.	
AR-G11058V	T3 Gasket Viton
AR-G11058	T3 Gasket (Not Shown)
AR-G11063	T5 Gasket (Not Shown)

Commonly used on Applicators with Diaphragm Pump w/o Relief or Hypro 1500 /1700 Roller Pump

\* Reference 1 (SS-9860218433EC3-433) includes all Ref # within the blue box.



MD-9002439MD, Required for the valve configuration shown above. See "Sprayer Control" on page 103 for more information on the 744A Kit.

### TeeJet 433 3-Way Metered Valves w/ Electric Regulator, Strainer, ARAG Manual Proportional Valve, Relief Valve

Ref	Part No.	Description
1*	SS-9860218433EC3-433	433 3-Way Metered Manifold Valves with Electric Regulator & Strainer
2	SS-5845614	Gauge Port, 1/4" LQC
3	SS-433EC3D	Valves, 433
4	SS-B45529P	Plug
5	SS-344BRLB01CCS	Electric Regulator
6	SS-AA12ML450	Strainer, 1"
7	CP-98497PP	Bolted Flange, M'LQC
8	SS-584561	LQC c 1" F'Kit
9	FS-M100SS	Nipple, Stainless, 1" x 1/2"
10	TP-M200PLG100	Flange Plug 2" with 1" Female
11	TP-FC220 TP-200G	Flange Clamp, 2" FP Gasket
11A	AR-279157	Clamp Fit, 2" Adapter T5M STD Port
12	AR-463T070	Man Propo. Valve, 100L/M, 3/4" Out
13	AR-1091320	Hose Tail, 3/4", T3M
14	AR-475552	Manual Pressure Relief Valve, 290 PSI
15	AR-1191525	Hose Barb Elbow, T5M 1"
16	CL-1600	Hose Clamp, 1" Stainless
17	HO-100200	Hose, 1"
18	AR-1191520	Hose Barb Elbow, T5M, 3/4"
19	HO-34200	Spray Hose, 3/4"
20	CL-1200	Hose Clamp, 3/4" Stainless
21	SS-4552934	Hose Barb Outlet, 3/4"
22	SS-455299034	Hose Barb, 3/4" x 90°
23	MD-9002439MD MD-9002580UX	744A Kit, 100 PSI w/o Regulator Valve 744A Kit, 100 PSI with Regulator Valve

Commonly used on Model 45 Applicators/Sprayers with Diaphragm Pump with Relief Valve or Centrifugal Pump for 433A

\* Reference 1 (SS-433EC2DA) includes all Ref numbers within the green box.



MD-9002439MD, Required for the valve configuration shown above. See "Sprayer Control" on page 103 for more information on the 744A Kit.

### TeeJet 433 2-Way Valves w/ Electric Regulator, Strainer, ARAG Manual Proportional Valve

Ref	Part No.	Description
1*	SS-433EC2DA	433EC 2-Way Manifold Valves with Electric Regulator & Adapters
2	FS-M100SS	Nipple, 1" x 1/2" Stainless
3	TP-FC220+TP-200G	2" FP Flange Clamp & Gasket
4	AR-463T074	Manual Proportional Valve, 100 L/M, 1" Out
5	AR-1190525	Elbow, T5F 1" HB
6	SS-126ML450	Strainer, 1"
7	MD-9002439MD MD-9002580UX	744A Kit, 100 PSI w/o Regulator Valve 744A Kit, 100 PSI with Regulator Valve

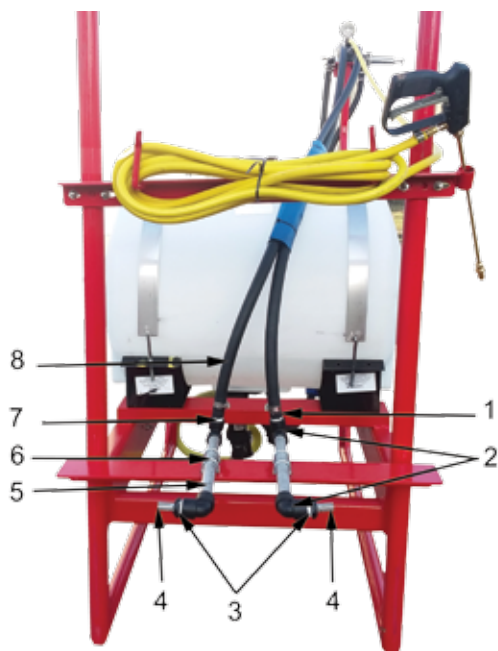




### Dual Pressure Read for Inside and Outside the Cab

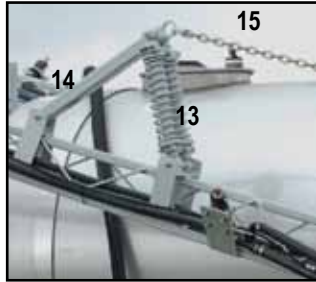
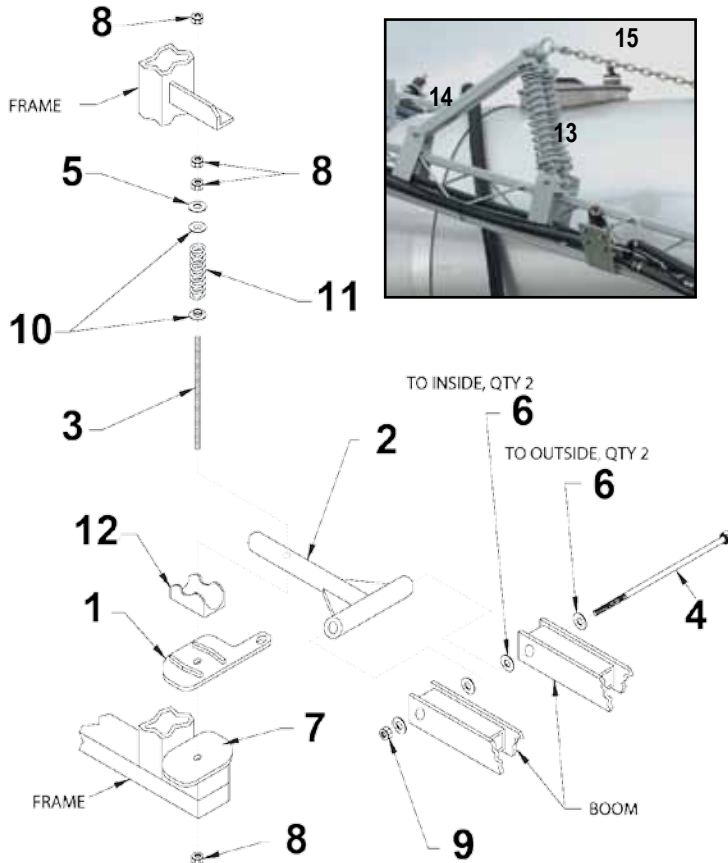
Ref	Part No.	Description
1*	GA-GG100	Liquid Pressure Gauge, 100 PSI
2	TP-TEE025	Tee, 1/4"
3	TP-NIP025SH	Nipple, 1/4"
4	SS-5845614	Gauge Port, 1/4"
5	744AKIT	744Kit, 1/8" Tubing for In-Cab PSI Reading
6	FS-SE14SS TP-RB025018	Street Elbow, 1/4" Stainless Steel Reducer, 1/4" x 1/8"

### Boom Buster



Ref	Qty	Part No.	Description
1	2	CL-1200	Hose Clamp, 3/4" Stainless
2	4	TP-EL07590	Pipe Elbow, 3/4", 90°
3		TP-RB075038	Reducer 3/4" x 3/8"
4	2	MS-BB187	Boom Buster Nozzle
5	4	BN-UB04	U-Bolt with Nut, 1" x 1/4"
6	2	NC-025094BE	Pipe, Threaded, Stainless, 3/4" x 12"
7	2	TP-HB075	3/4" MPT x 3/4" HB
8		HO-34200	Spray Hose, 3/4"

## Standard & Heavy Duty Tripod, Hydraulic Booms 6 to 12 Row



## Hinge and Shock Assembly

### Standard & HD Tripod, Hydraulic Booms 6-12 Row

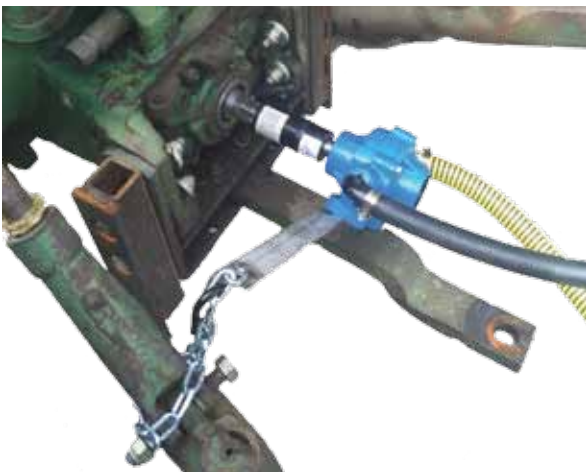
Ref	Qty STD	Qty HD	Part No.	Description
1	1	1	NC-015045BJRH	Boom Hinge, "P", LH
1	1	1	NC-015045BJLH	Boom Hinge, "P", RH
2	-	1	NC-015045FA	Tee Hinge, Boom Heavy Duty
3	1	1	BN-AT346	3/4" x 20", All Thread Rod
4	-	1	BN-HHG8588	Bolt, Hex Head, GR8, 5/8" x 8" Heavy Duty
5	1	1	BN-FW34	Flat Washer, 3/4"
6	-	4	BN-SSFW58	Flat Washer, 5/8" Heavy Duty, SS
7	1	1	PM-015045BK	Boom Hinge, Bottom Plate
8	4	4	BN-SSHN34	SS, Nut, Hex Head, 3/4"-10UNC-2B
9	-	1	BN-LN58L9	Lock Nut, 5/8" L9
10	-	2	MS-TV103	Collar Spring, 3 Point Hitch
11	-	1	SR-2570	Spring, Boom
12	-	1	BL-CPL1603A	Spring Trip
13	1	1	MS-J610	Individual Shock for Tripod Boom 1 for single, 2 for double
13	1	2	SR-7041304	Shock Spring Kit: 2 springs/kit 1 for single, 2 for double (1 spring/shock/side)
14	1	1	NC-1331	Shock Arm Pull Type /3 Point Hitch
15	-	-	BC-140	Boom Chain, 1/4" for Pull Type/3 Point Hitch
15	-	-	BC-516	Boom Chain, 3/16" for Truck

### Ag Boom Parts, 6 to 8 Row, Light Duty

NC-1307	Breakaway Boom Hinge, 200 Gallon
BN-HH12312	Breakaway Boom Hex Head Bolt, 1/2" x 3 1/2"
BN-LN12	Breakaway Boom Nut
NC-1305	Boom Support Bracket, Center, 55-200 Gallon
NC-8212	Adjustable Valve Mount, 12 Row Boom
BC-316	Boom Chain, 3/16" for Ag Boom

## Pump Mounting Bar

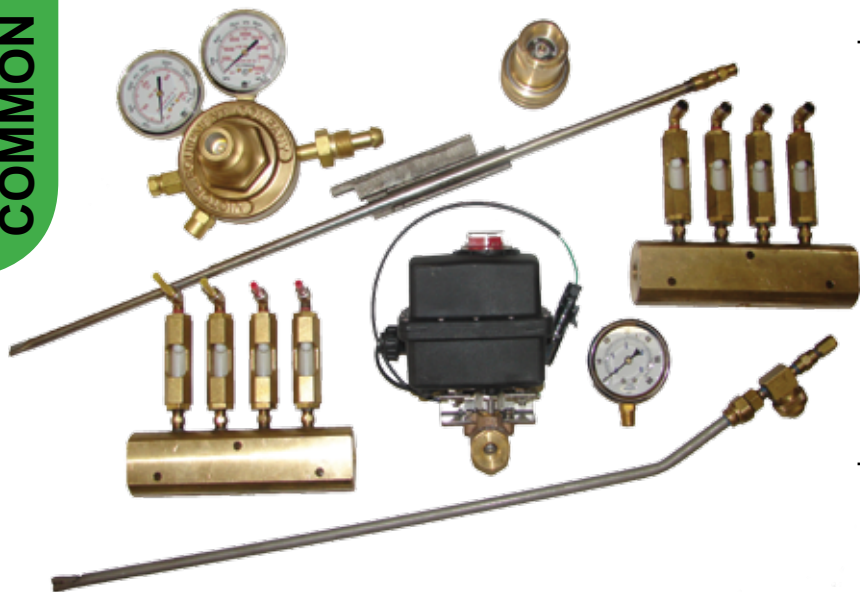
Part No.	Qty	Description
NC-025060A	1	Bracket PTO Pump Mounting
BN-HH51634	2	Hex Head Bolt, 5/16" x 3/4" (Pump Bar to Pump)
BN-HH516112	1	Hex Head Bolt, 5/16" x 1 1/2"
BN-FW516	4	Flat Washer, 5/16"
BN-LW516	3	Lock Washer, 5/16"
CA-PC316	16"	Small Boom Chain 3/16"
CA-3079T33	1	Spring Snap on Booms



Telone®, a product manufactured by Dow AgroSciences, is an industry leader in the control of nematodes in:



- **Vegetables:** tomatoes, peppers, melons, pole crops, strawberries
- **Field Crops:** cotton, peanuts, tobacco
- **Fruit and Nut Trees:** pecans, apples, peaches
- **Vineyards:** grapes and muscadines
- **Nursery Crops**



### 6-Row Basic Telone Pressure Kit

Kit Part No.	Description
TL-KIT6RBASP	Maintenance parts (6-row pressurized system) that are often replaced. Kit Part No. Includes: 1 - Manifold, 6 Port 6 - Drops, 24 In, Stainless Steel 6 - Ball Valve, 3/4 In, Brass 1 - Hose Kit w/ Brass Quick Locks 1 - Strainer Assembly 1 - Cut-Off Valve, KZ, Electric 1 - Bottle Regulation Kit 1 - Pressure Gauge Miscellaneous Brass Fittings

Note: Hose length will vary by system and must be determined by customer. Hose is priced per foot which will vary the cost of the kit slightly.

### Telone Parts Sold Separately

Part No.	Description
TL-06000014	Release Valve
TL-07810543	Regulator
TL-07819135	Regulator
TL-808	Delrin Ball
TL-80812	Row Sight O-Ring/Viton
TL-84B50KO	Regulating Valve
TL-84B60AM1	On/Off Brass Valve
TL-DFM406	Turbine Meter, SS 3/8"
TL-MAN04	Manifold, 4 Port
TL-MAN06	Manifold, 6 Port
TL-PL18	Quick Coupler, 1/8"
TL-PLF18	Quick Lock, Female 1/8"
TL-REDTUBE	Red Tube
TL-RVS18	Sight View
TL-YELLOWTUBE	Yellow Tube



Telone is a Restricted Use Pesticide. In Florida, refer to the 24(c). Telone product specimen label for restrictions in certain countries. Telone is labeled under FIFRA 24(c) for nematode suppression in cotton and as an at-plant application only in the state of Georgia. Telone is not registered for sale or use in all states. Contact your state pesticide regulatory agency to determine if a product is registered for sale or use in your state. Always read and follow label directions. L12-018-016 (11/09) BR 010-32918 DAAGTLON9056 EPI305320